

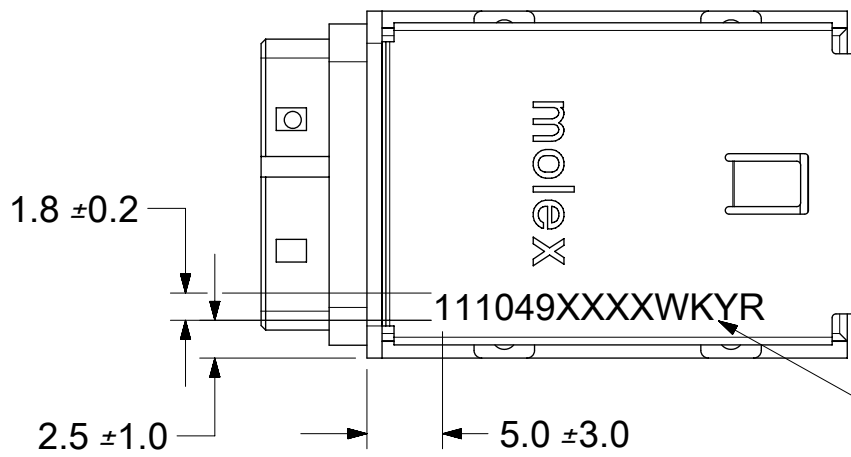
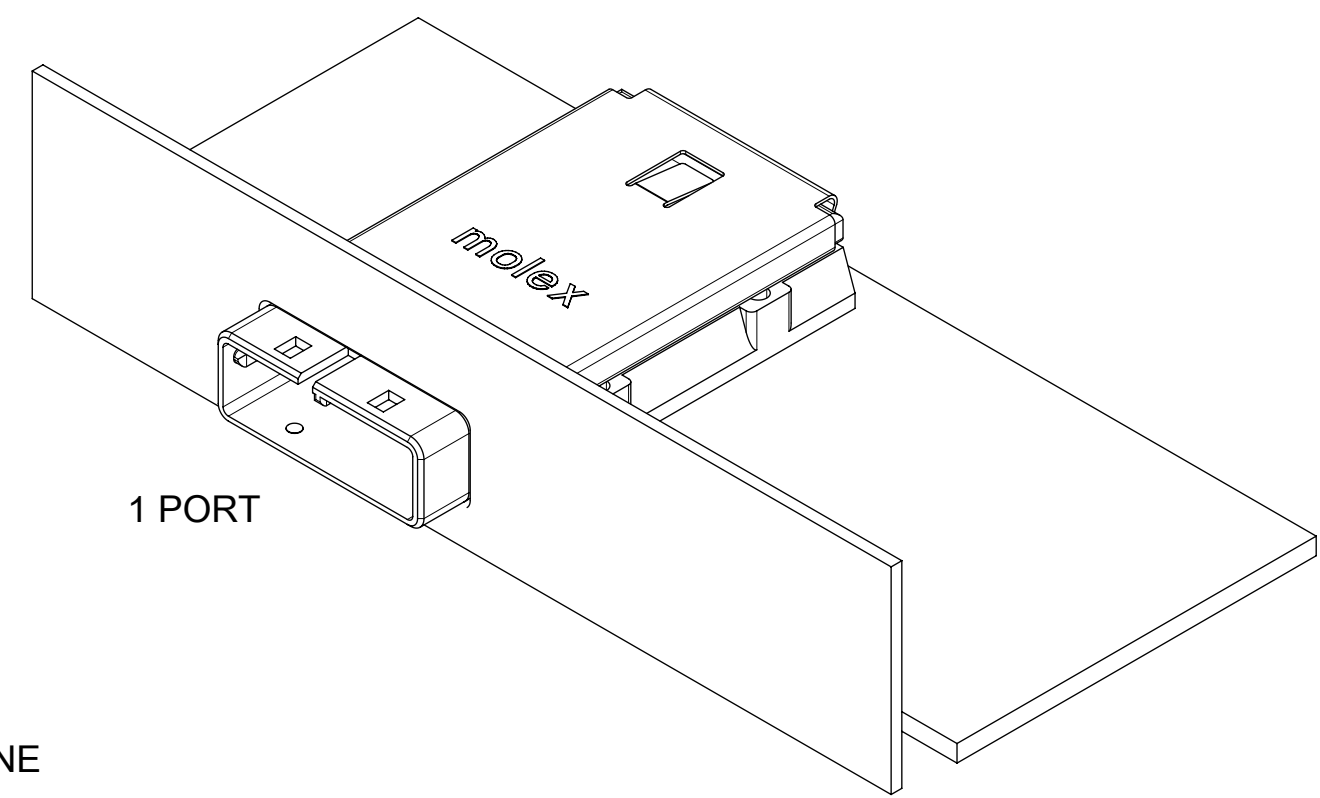
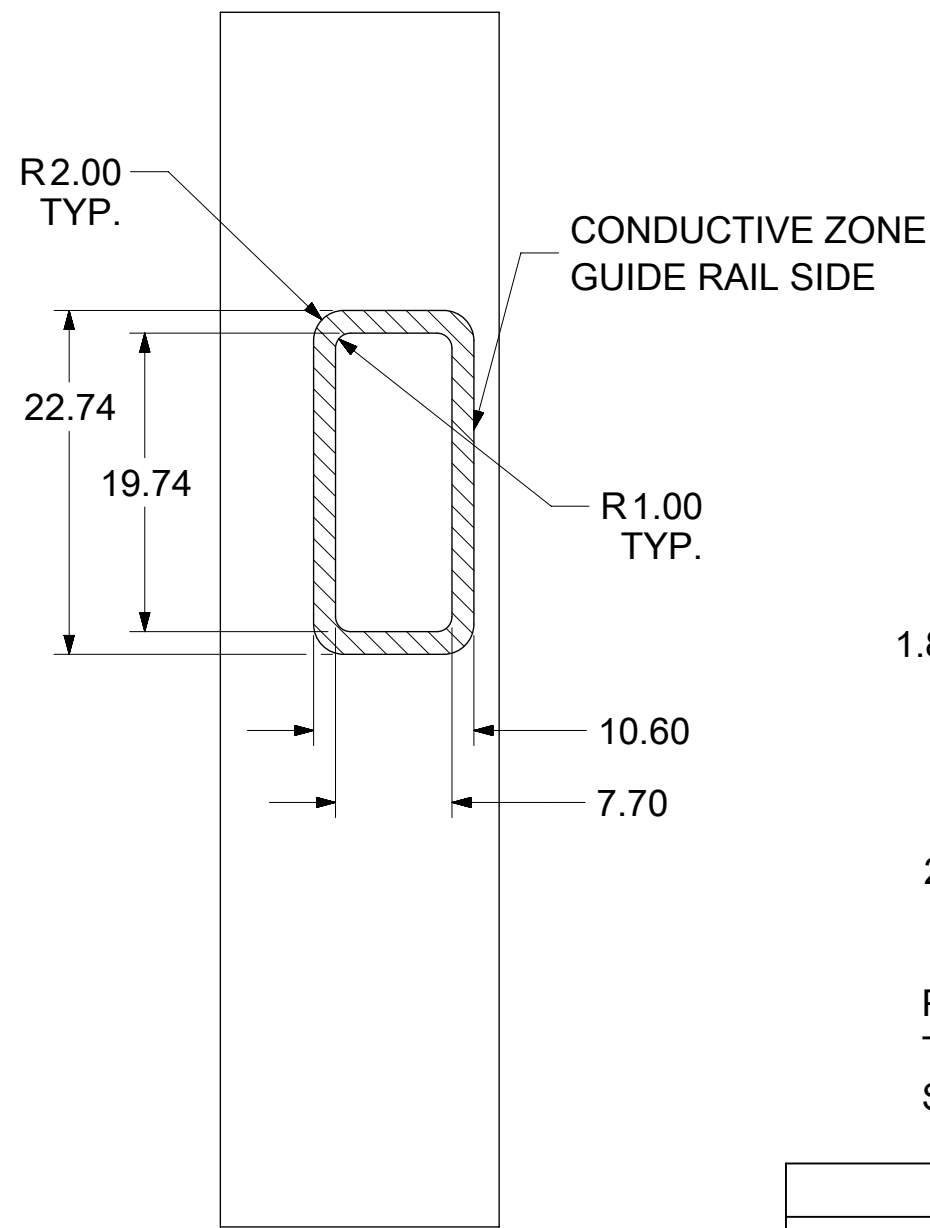
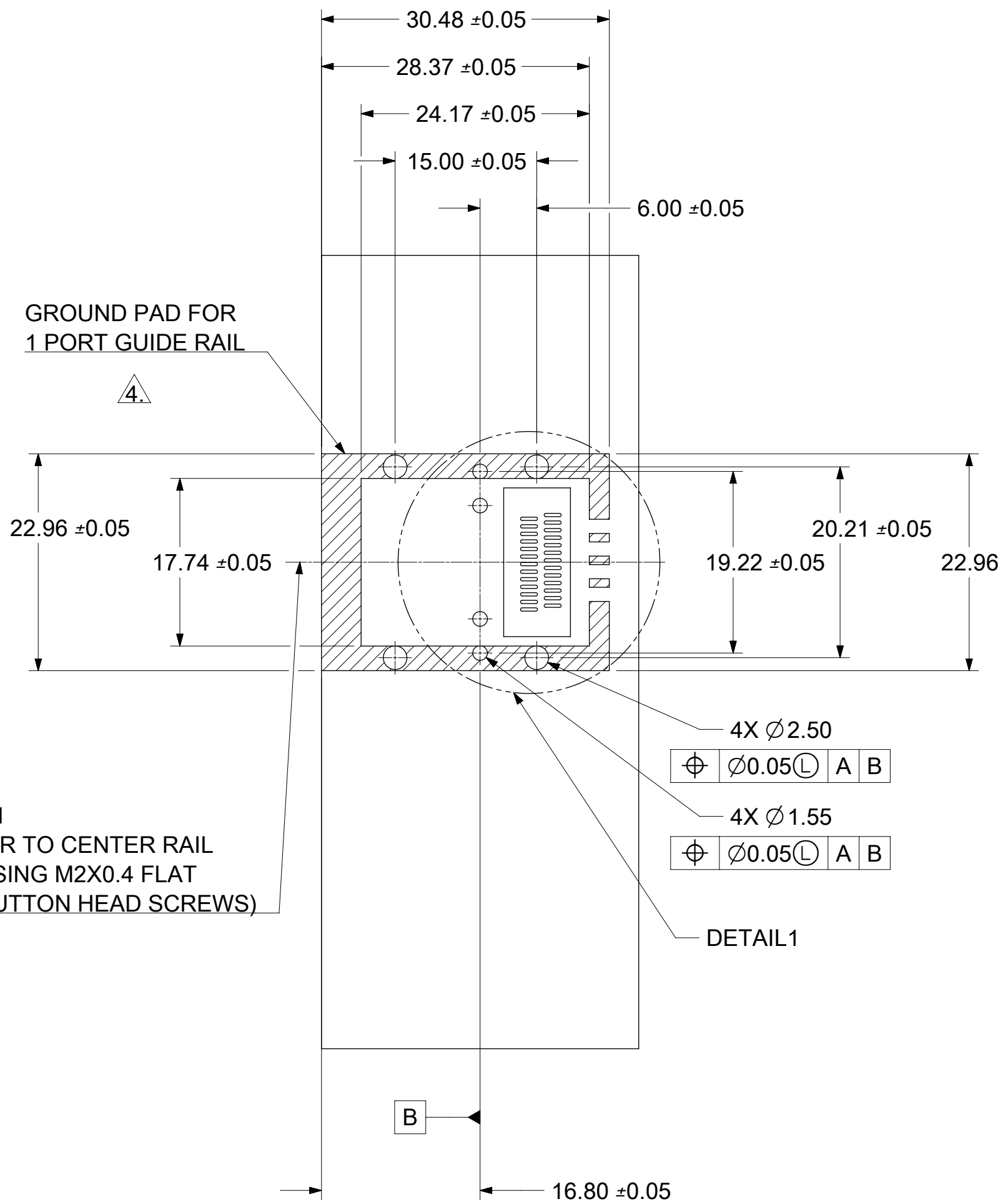
PART NO. AND WEEK/YEAR DATE CODE TO BE PRINTED ON TOP OF COVER APPROXIMATELY AS SHOWN. SEE TABLE BELOW FOR DATE CODE INFORMATION.

WEEK/YEAR DATE CODE TABLE	
WK	WEEK OF THE YEAR 01 THRU 52 (EXAMPLE: 01= FIRST WEEK OF YEAR 52= LAST WEEK OF YEAR)
YR	18, 19, 20 ETC.. (EXAMPLE: YEAR 2019= 19)

PART NUMBER	PORT SIZE	SW	OAW	KEY(S) PORT1	KEY(S) PORT2	KEY(S) PORT3	KEY(S) PORT4	IDENTIFIERS
1110490107	4	76.30	80.00	2,4	2,4	2,4	2,4	SAS OUT PORT/END DEVICE
1110490108	4	76.30	80.00	4,6	4,6	4,6	4,6	SAS IN PORT/END DEVICE
1110490109	4	76.30	80.00	4	4	4	4	SAS UNIVERSAL PORT

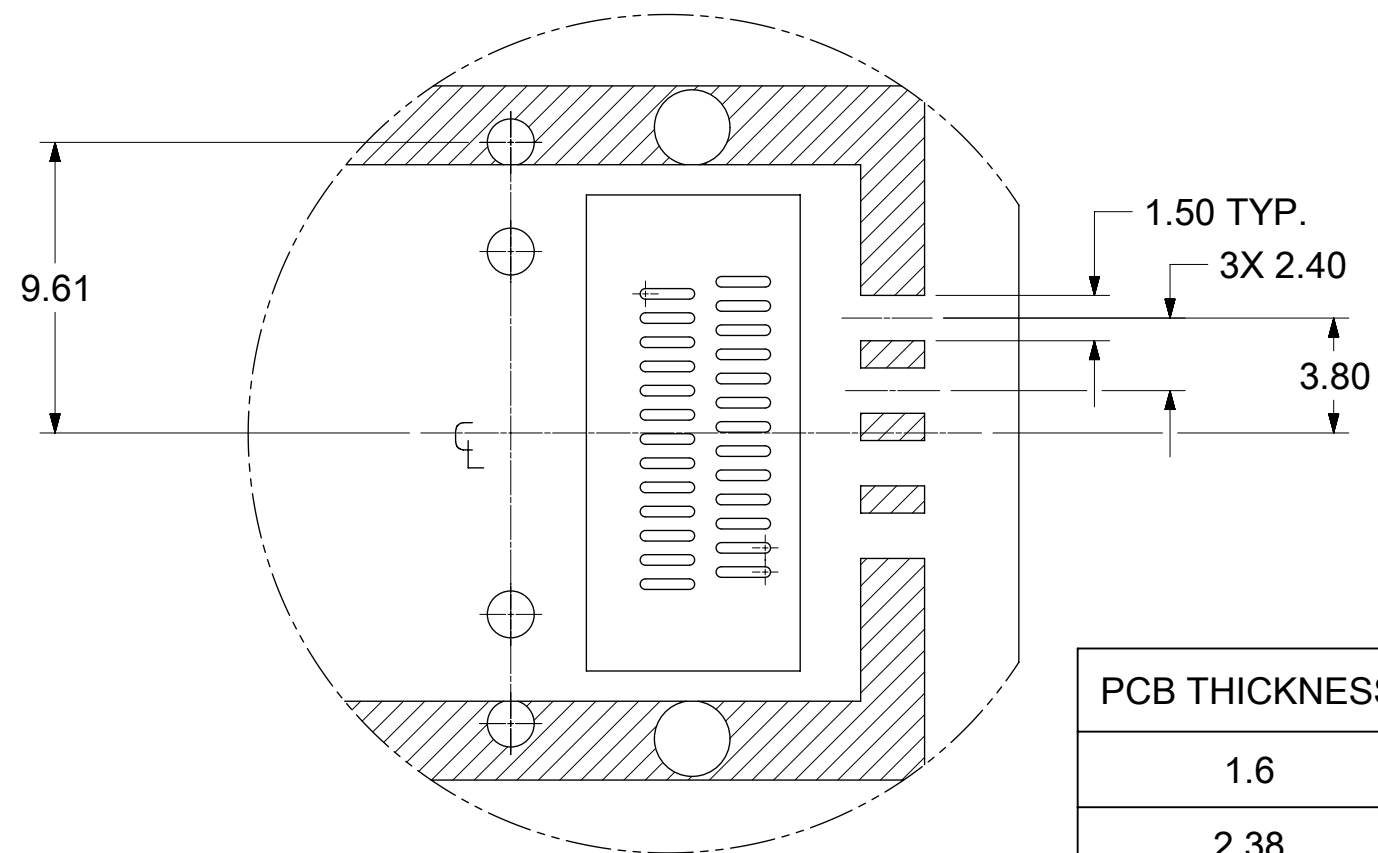
- NOTES:
- PCB AND BRACKET SHOWN FOR REFERENCE ONLY.
 - REF. SD-74547-100 FOR KEY POSITIONS
 - GUIDE HOUSING MOUNTING THREAD= M2 X 0.40, SEE SHEET 3 FOR SCREW LENGTH + TORQUE SPEC.
 - PLATE GROUND PAD WITH EMERSION SILVER OR GOLD.
 - MATERIAL:
GUIDE HOUSING - ZINC DIECAST, NICKEL PLATED.
COVER - STAINLESS STEEL.
GASKET - CONDUCTIVE ELASTOMER.
 - NO RoHS EXEMPTIONS.
 - GUIDE HOUSING PEGS FOR ALIGNMENT ONLY, DO NOT SOLDER.

SYMBOLS	THIS DRAWING CONTAINS INFORMATION THAT IS PROPRIETARY TO MOLEX ELECTRONIC TECHNOLOGIES, LLC AND SHOULD NOT BE USED WITHOUT WRITTEN PERMISSION	
	DIMENSION UNITS	SCALE
▽ = 0	mm	2:1
▽ = 0	GENERAL TOLERANCES (UNLESS SPECIFIED)	
▽ = 0	ANGULAR TOL ± 1.0°	
▽ = 0	4 PLACES ±	
▽ = 0	3 PLACES ±	
▽ = 0	2 PLACES ± 0.13	
▽ = 0	1 PLACE ± 0.25	
▽ = 0	0 PLACES ±	
▽ = 0	DRAFT WHERE APPLICABLE MUST REMAIN WITHIN DIMENSIONS	
CURRENT REV DESC: SEE REVISION TABLE		<p>EC NO: 610316 DRWN: PMAHADEVAPPA 2018/12/20 CHK'D: VK10 2019/01/11 APPR: RCHEN08 2019/01/15</p> <p>INITIAL REVISION: DRWN: PMAHADEVAPPA 2018/12/20 APPR: RCHEN08 2019/01/15</p>
THIRD ANGLE PROJECTION		
DRAWING SERIES		<p>111049</p>
C-SIZE		
DOCUMENT NUMBER		<p>1110490010</p>
DOC TYPE DOC PART REVISION		
MATERIAL NUMBER		<p>SEE P/N TABLE</p>
CUSTOMER		
SHEET NUMBER		<p>1 OF 4</p>



PART NO. AND WEEK/YEAR DATE CODE TO BE PRINTED ON TOP OF COVER APPROXIMATELY AS SHOWN. SEE TABLE BELOW FOR DATE CODE INFORMATION.

WEEK/YEAR DATE CODE TABLE	
WK	WEEK OF THE YEAR 01 THRU 52 (EXAMPLE: 01= FIRST WEEK OF YEAR 52= LAST WEEK OF YEAR)
YR	19, 20, 21 ETC.. (EXAMPLE: YEAR 2019= 19)



DETAIL1
SCALE 4:1

PCB THICKNESS	SCREW LENGTH	TORQUE(IN LBS)
1.6	5MM	2.3
2.38	6MM	2.3
3.2	6MM	2.3
X	+4MM MAX	2.3

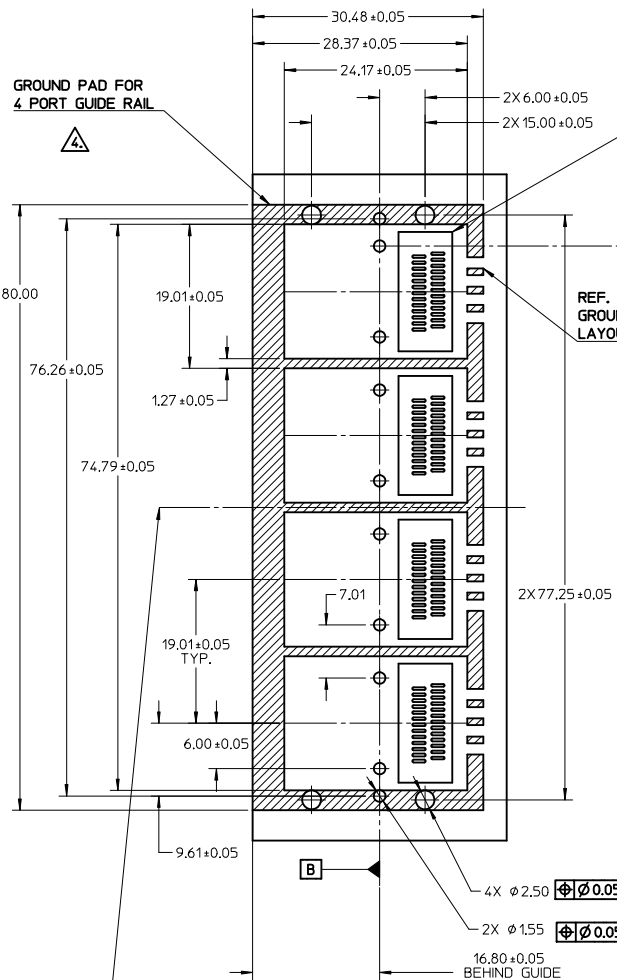
PART NUMBER	PORT SIZE	SW	OAW	KEY(S)	IDENTIFIERS
1110490101	1	19.24	22.95	2,4	SAS OUT PORT/END DEVICE
1110490102	1	19.24	22.95	4,6	SAS IN PORT/END DEVICE
1110490103	1	19.24	22.95	4	SAS UNIVERSAL PORT
1110490120	1	19.24	22.95	2	SAS OUT PORT
1110490401	1	19.24	22.95	4	SAS UNIVERSAL PORT WITH 6MM SCREWS

SYMBOLS		THIS DRAWING CONTAINS INFORMATION THAT IS PROPRIETARY TO MOLEX ELECTRONIC TECHNOLOGIES, LLC AND SHOULD NOT BE USED WITHOUT WRITTEN PERMISSION	
▽ = 0	DIMENSION UNITS	SCALE	CURRENT REV DESC: SEE REVISION TABLE
▽ = 0	mm	2:1	
▽ = 0	GENERAL TOLERANCES (UNLESS SPECIFIED)		EC NO: 610316 DRWN: PMAHADEVAPPA 2018/12/20 CHK'D: VK10 2019/01/11 APPR: RCHEN08 2019/01/15
▽ = 0	ANGULAR TOL ± 1.0°		
▽ = 0	4 PLACES ±		INITIAL REVISION: DRWN: PMAHADEVAPPA 2018/12/20 APPR: RCHEN08 2019/01/15
▽ = 0	3 PLACES ±		
▽ = 0	2 PLACES ± 0.13		DOCUMENT NUMBER 1110490010 DOC TYPE DOC PART REVISION PSD ASY G
▽ = 0	1 PLACE ± 0.25		
▽ = 0	0 PLACES ±		MATERIAL NUMBER SEE P/N TABLE CUSTOMER SHEET NUMBER 3 OF 4
▽ = 0	DRAFT WHERE APPLICABLE MUST REMAIN WITHIN DIMENSIONS		
▽ = 0	THIRD ANGLE PROJECTION	DRAWING	SERIES
		C-SIZE	111049

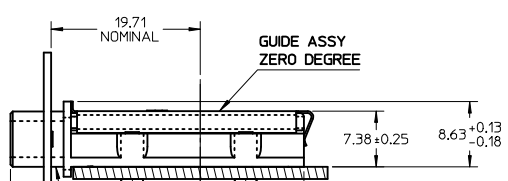
molex

IPASS SAS 2.0 26CKT
GUIDE HOUSING ASSEMBLY 0 DEGREE, MULTI PORT

PRODUCT CUSTOMER DRAWING



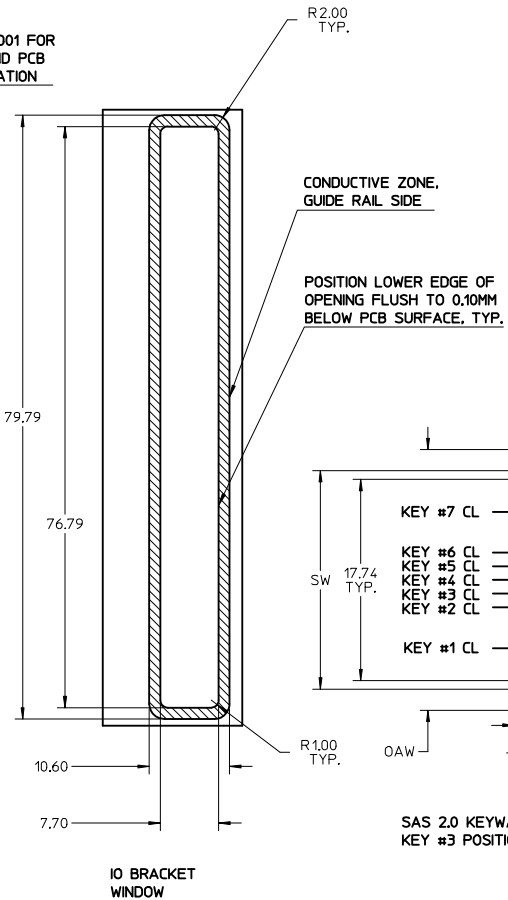
(MIN CENTER TO CENTER RAIL SPACING USING M2X0.4 FLAT HEAD OR BUTTON HEAD SCREWS)



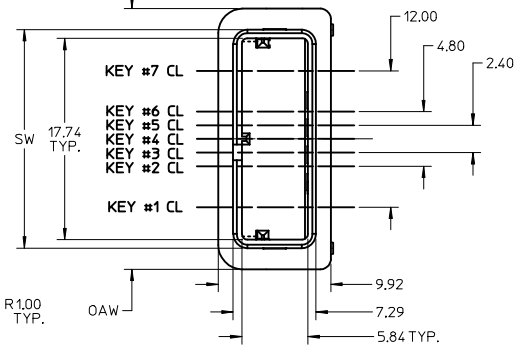
EMI GASKET NOT SHOWN FOR CLARITY
SAS 4 PORT GUIDE HOUSING ASSEMBLY

REF. SD-75586-001 FOR RECEPTACLE AND PCB LAYOUT INFORMATION

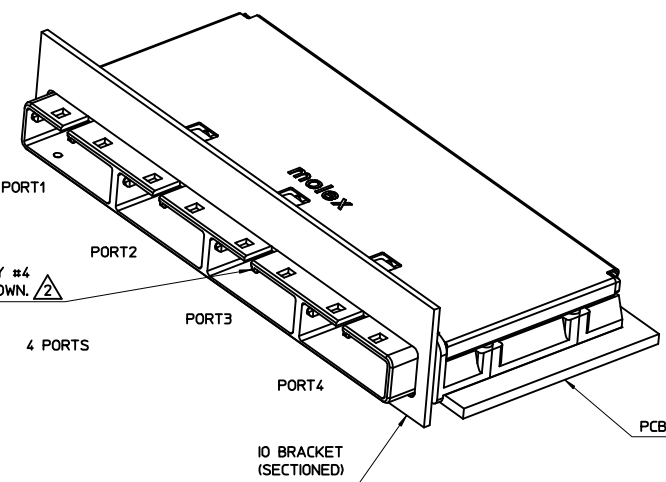
REF. SHEET 3 FOR GROUND PAD ALLEY LAYOUT INFORMATION



IO BRACKET WINDOW



SAS 2.0 KEYWAY IN KEY #3 POSITION

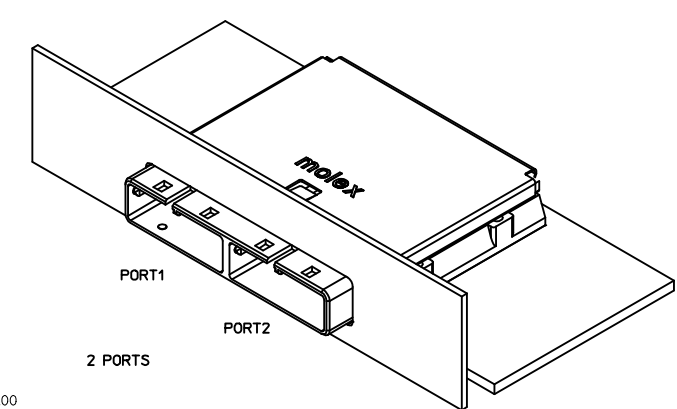
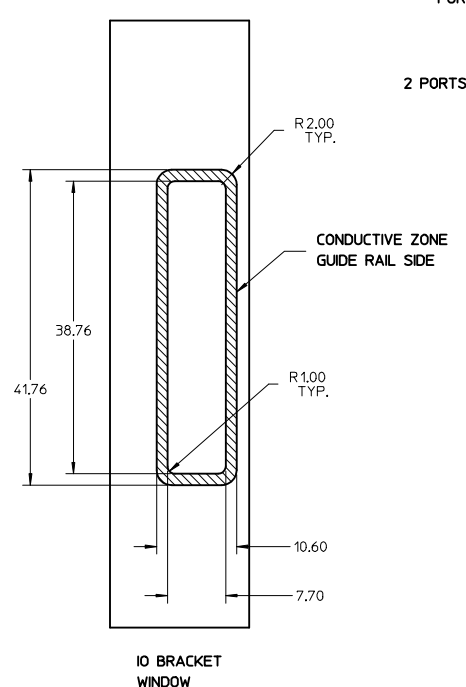
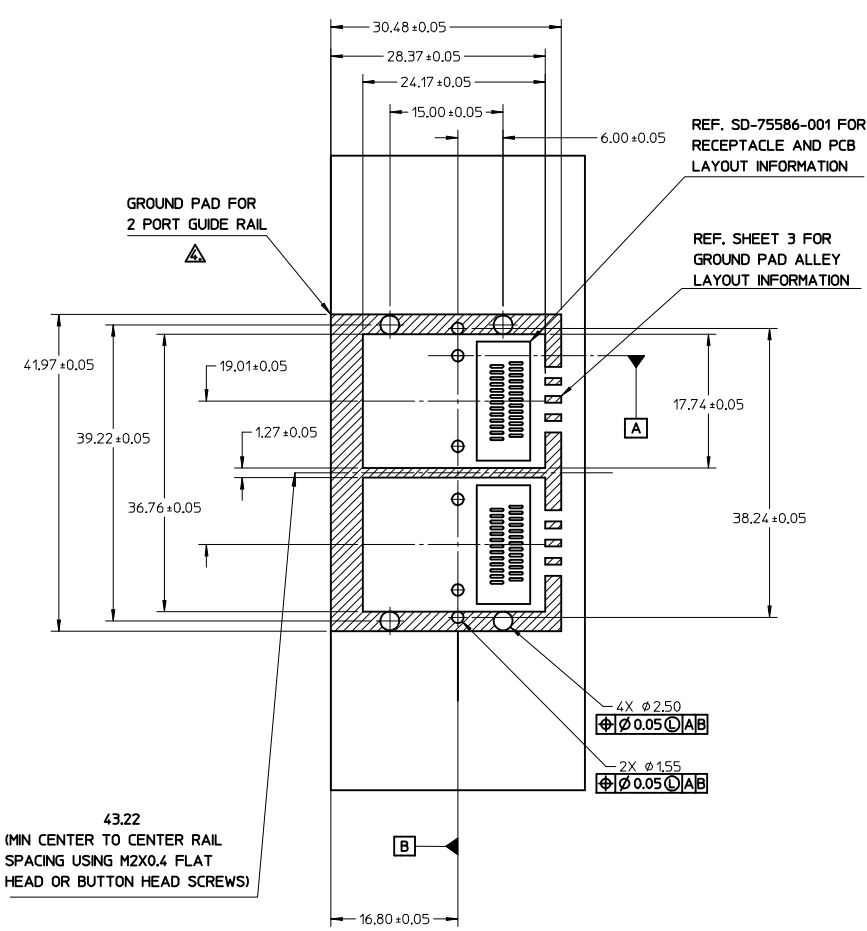


NOTES:

1. PCB AND BRACKET SHOWN FOR REFERENCE ONLY.
2. REF. SD-74547-100 FOR KEY POSITIONS
3. GUIDE HOUSING MOUNTING THREAD= M2 X 0.40, SEE SHEET 3 FOR SCREW LENGTH + TORQUE SPEC.
4. PLATE GROUND PAD WITH EMERSION SILVER OR GOLD.
5. MATERIAL:
GUIDE HOUSING - ZINC DIECAST, NICKEL PLATED.
COVER - STAINLESS STEEL.
GASKET - CONDUCTIVE ELASTOMER.
6. NO RoHS EXEMPTIONS.
7. GUIDE HOUSING PEGS FOR ALIGNMENT ONLY, DO NOT SOLDER.

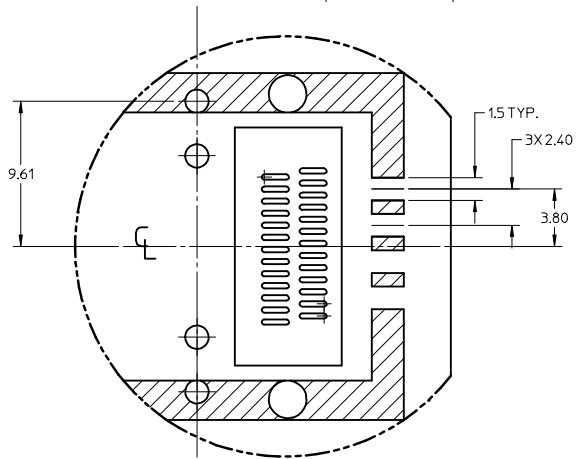
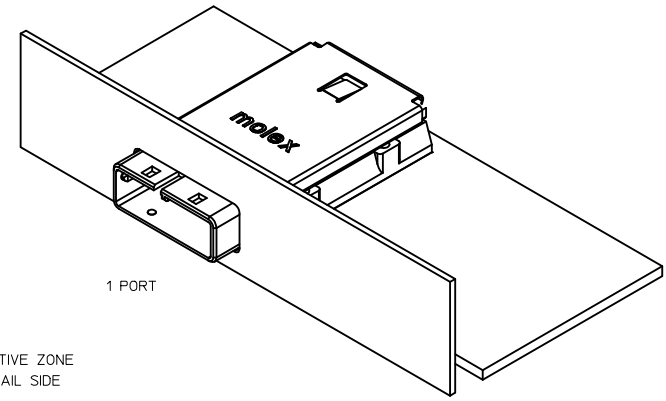
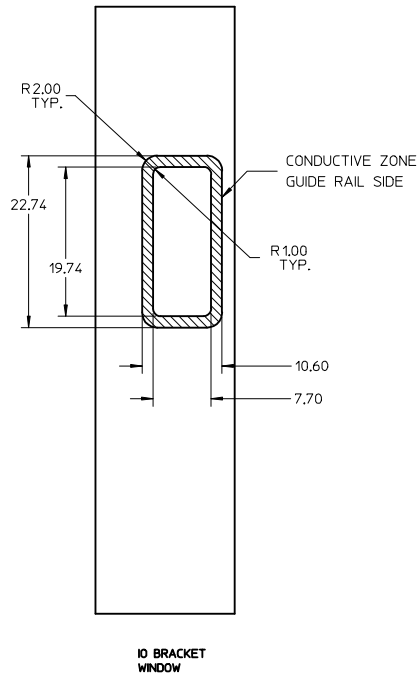
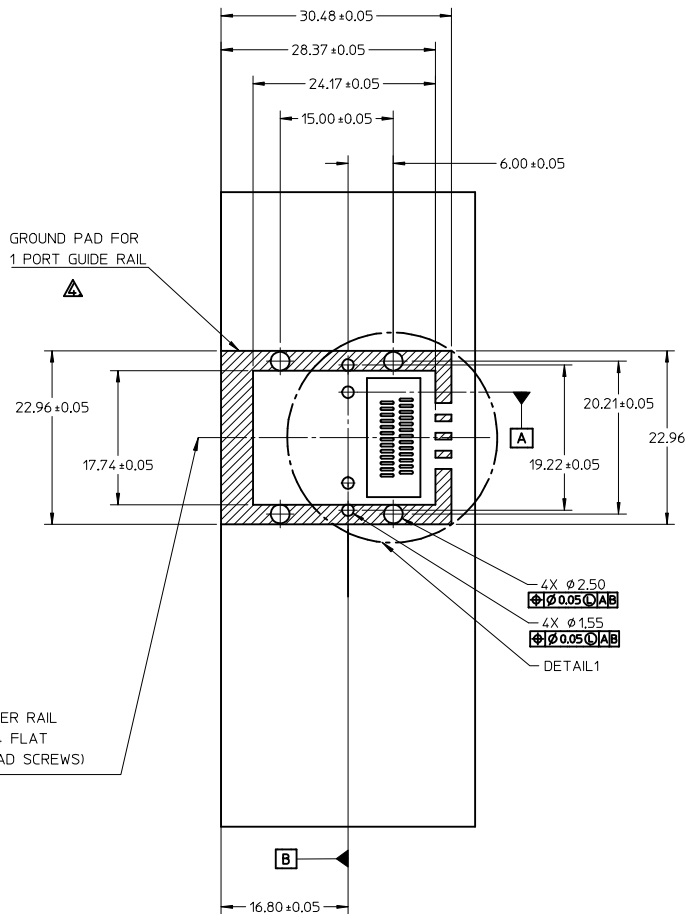
PART NUMBER	PORT SIZE	SW	OAW	KEY(S) PORT1	KEY(S) PORT2	KEY(S) PORT3	KEY(S) PORT4	IDENTIFIERS
1110490107	4	76.30	80.00	2,4	2,4	2,4	2,4	SAS OUT PORT/END DEVICE
1110490108	4	76.30	80.00	4,6	4,6	4,6	4,6	SAS IN PORT/END DEVICE
1110490109	4	76.30	80.00	4	4	4	4	SAS UNIVERSAL PORT

SEE REVISION TABLE EC NO: CPG2015-4013 DRW: LULU20 CHKD: SYANG16 APPR: RCHEN08	QUALITY SYMBOLS ▽=0 ▽=0 ▽=0	GENERAL TOLERANCES (UNLESS SPECIFIED) mm INCH 4 PLACES ± --- ± --- 3 PLACES ± --- ± --- 2 PLACES ± 0.13 ± --- 1 PLACE ± 0.25 ± --- 0 PLACE ± --- ± ---	DIMENSION STYLE MM ONLY DRAWN BY DATE BREED 2008/10/07 CHECKED BY DATE DDOYE 2008/10/07 APPROVED BY DATE DDOYE 2008/10/07	SCALE 2:1 DESIGN UNITS METRIC THIRD ANGLE PROJECTION	TITLE IPASS SAS 2.0 26CKT GUIDE HOUSING ASSEMBLY 0 DEGREE, MULTI PORT molex	DOCUMENT NO. SD-111049-010	SHEET NO. 1 OF 4	
	ANGULAR ± 1 °		MATERIAL NO.		SEE P/N TABLE			
	DRAFT WHERE APPLICABLE MUST REMAIN WITHIN DIMENSIONS			THIS DRAWING CONTAINS INFORMATION THAT IS PROPRIETARY TO MOLEX INCORPORATED AND SHOULD NOT BE USED WITHOUT WRITTEN PERMISSION				
	SEE REVISION TABLE							



PART NUMBER	PORT SIZE	SW	OAW	KEY(S) PORT1	KEY(S) PORT2	IDENTIFIERS
1110490104	2	38.26	41.96	2.4	2.4	SAS OUT PORT/END DEVICE
1110490105	2	38.26	41.96	4.6	4.6	SAS IN PORT/END DEVICE
1110490106	2	38.26	41.96	4	4	SAS UNIVERSAL PORT
1110490110	2	38.26	41.96	2.4	4.6	SAS OUT PORT/SAS IN PORT
1110490121	2	38.26	41.96	6	6	SAS IN PORT

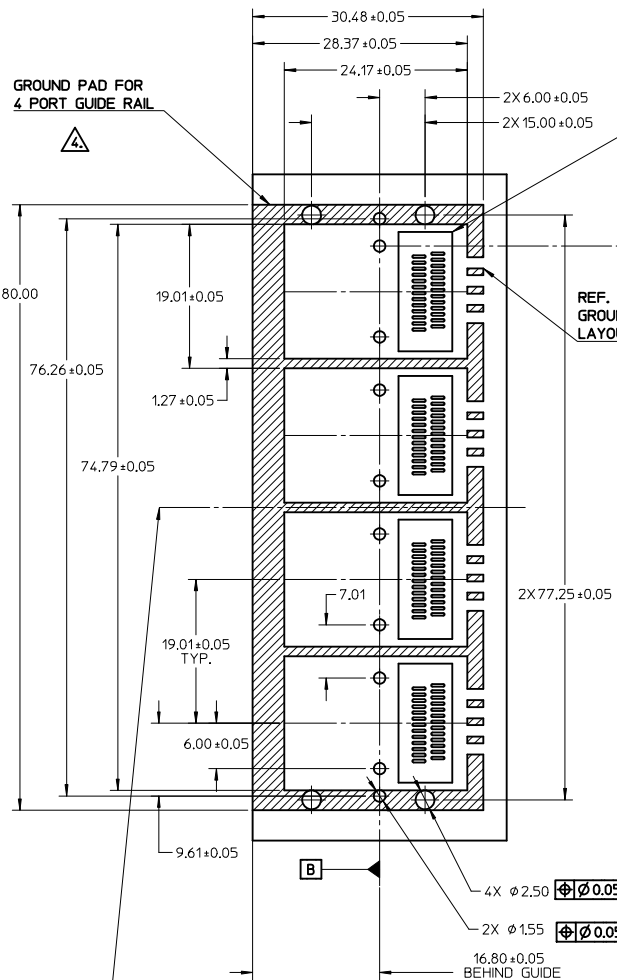
SEE REVISION TABLE EC NO: CFG2015-4013 TIDRW:LU20 2015/01/29 CHKD:SYANG16 2015/02/06 APPR:RCHEN08 2015/05/18	QUALITY SYMBOLS 	GENERAL TOLERANCES (UNLESS SPECIFIED) <table border="1"> <tr> <th></th> <th>mm</th> <th>INCH</th> </tr> <tr> <td>4 PLACES</td> <td>± ---</td> <td>± ---</td> </tr> <tr> <td>3 PLACES</td> <td>± ---</td> <td>± ---</td> </tr> <tr> <td>2 PLACES</td> <td>± 0.13</td> <td>± ---</td> </tr> <tr> <td>1 PLACE</td> <td>± 0.25</td> <td>± ---</td> </tr> <tr> <td>0 PLACE</td> <td>± ---</td> <td>± ---</td> </tr> </table>		mm	INCH	4 PLACES	± ---	± ---	3 PLACES	± ---	± ---	2 PLACES	± 0.13	± ---	1 PLACE	± 0.25	± ---	0 PLACE	± ---	± ---	DIMENSION STYLE MM ONLY DRAWN BY DATE BREED 2008/10/07 CHECKED BY DATE DDOYE 2008/10/07 APPROVED BY DATE DDOYE 2008/10/07	SCALE 2:1 DESIGN UNITS METRIC THIRD ANGLE PROJECTION	TITLE IPASS SAS 2.0 26CKT GUIDE HOUSING ASSEMBLY 0 DEGREE, MULTIPORT molex
		mm	INCH																				
	4 PLACES	± ---	± ---																				
	3 PLACES	± ---	± ---																				
2 PLACES	± 0.13	± ---																					
1 PLACE	± 0.25	± ---																					
0 PLACE	± ---	± ---																					
MATERIAL NO. ANGULAR ± 1 ° DRAFT WHERE APPLICABLE MUST REMAIN WITHIN DIMENSIONS	SEE P/N TABLE SIZE C	DOCUMENT NO. SD-111049-010	SHEET NO. 2 OF 4																				
THIS DRAWING CONTAINS INFORMATION THAT IS PROPRIETARY TO MOLEX INCORPORATED AND SHOULD NOT BE USED WITHOUT WRITTEN PERMISSION																							



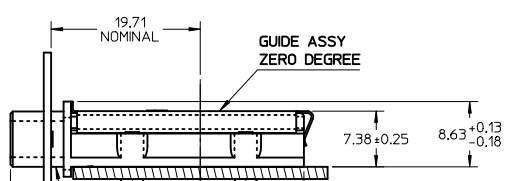
PCB THICKNESS	SCREW LENGTH	TORQUE (IN LBS)
1.6 (.063')	5MM	2.3
2.38 (.093')	6MM	2.3
3.2 (.125')	6MM	2.3
X	+4MM MAX	2.3

PART NUMBER	PORT SIZE	SW	OAW	KEY(S)	IDENTIFIERS
1110490101	1	19.24	22.95	2.4	SAS OUT PORT/END DEVICE
1110490102	1	19.24	22.95	4.6	SAS IN PORT/END DEVICE
1110490103	1	19.24	22.95	4	SAS UNIVERSAL PORT
1110490120	1	19.24	22.95	2	SAS OUT PORT
1110490401	1	19.24	22.95	4	SAS UNIVERSAL PORT WITH 6MM SCREWS

SEE REVISION TABLE EC NO: CPG2015-4013 TDR:WINLU20 2015/01/29 CHKD:SYANG16 2015/02/06 APPR:RCHEN08 2015/05/18	QUALITY SYMBOLS ∇=0 ∇=0 ∇=0	GENERAL TOLERANCES (UNLESS SPECIFIED) mm INCH 4 PLACES ± --- ± --- 3 PLACES ± --- ± --- 2 PLACES ± 0.13 ± --- 1 PLACE ± 0.25 ± --- 0 PLACE ± --- ± --- ANGULAR ± 1 °	DIMENSION STYLE MM ONLY DRAWN BY DATE BREED 2008/10/07 CHECKED BY DATE DDOYE 2008/10/07 APPROVED BY DATE DDOYE 2008/10/07	SCALE 2:1 DESIGN UNITS METRIC THIRD ANGLE PROJECTION	TITLE IPASS SAS 2.0 26CKT GUIDE HOUSING ASSEMBLY 0 DEGREE, MULTI PORT moLEX	DOCUMENT NO. SD-111049-010 SHEET NO. 3 OF 4
	DRAFT WHERE APPLICABLE MUST REMAIN WITHIN DIMENSIONS		SEE P/N TABLE	THIS DRAWING CONTAINS INFORMATION THAT IS PROPRIETARY TO MOLEX INCORPORATED AND SHOULD NOT BE USED WITHOUT WRITTEN PERMISSION		



(MIN CENTER TO CENTER RAIL SPACING USING M2X0.4 FLAT HEAD OR BUTTON HEAD SCREWS)

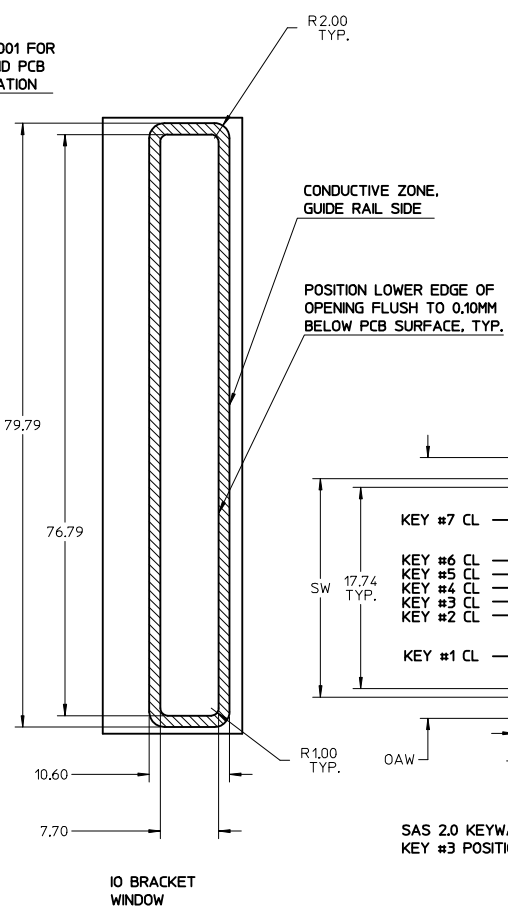


EMI GASKET NOT SHOWN FOR CLARITY

SAS 4 PORT GUIDE HOUSING ASSEMBLY

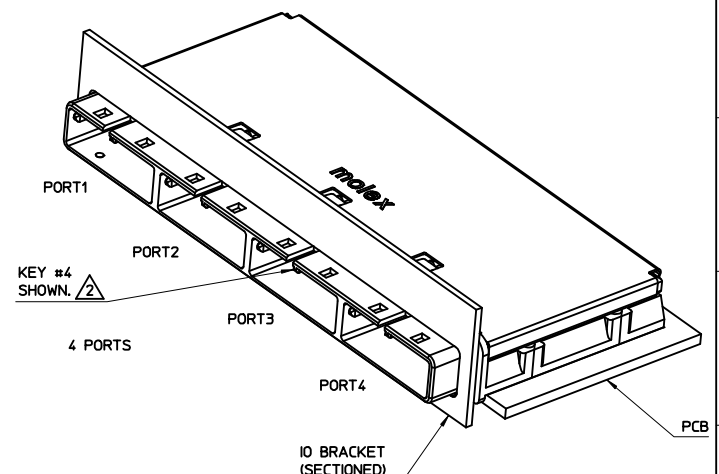
REF. SD-75586-001 FOR RECEPTACLE AND PCB LAYOUT INFORMATION

REF. SHEET 3 FOR GROUND PAD ALLEY LAYOUT INFORMATION



IO BRACKET WINDOW

SAS 2.0 KEYWAY IN KEY #3 POSITION



NOTES:

1. PCB AND BRACKET SHOWN FOR REFERENCE ONLY.
2. REF. SD-74547-100 FOR KEY POSITIONS
3. GUIDE HOUSING MOUNTING THREAD= M2 X 0.40, SEE SHEET 3 FOR SCREW LENGTH + TORQUE SPEC.
4. PLATE GROUND PAD WITH EMERSION SILVER OR GOLD.
5. MATERIAL:
GUIDE HOUSING - ZINC DIECAST, NICKEL PLATED.
COVER - STAINLESS STEEL.
GASKET - CONDUCTIVE ELASTOMER.
6. NO RoHS EXEMPTIONS.
7. GUIDE HOUSING PEGS FOR ALIGNMENT ONLY, DO NOT SOLDER.

PART NUMBER	PORT SIZE	SW	DAW	KEY(S) PORT1	KEY(S) PORT2	KEY(S) PORT3	KEY(S) PORT4	IDENTIFIERS
1110490107	4	76.30	80.00	2,4	2,4	2,4	2,4	SAS OUT PORT/END DEVICE
1110490108	4	76.30	80.00	4,6	4,6	4,6	4,6	SAS IN PORT/END DEVICE
1110490109	4	76.30	80.00	4	4	4	4	SAS UNIVERSAL PORT

SEE REVISION TABLE
EC NO: CPG2015-4013
DRW: LULU20
CHKD: SYANG16
APPR: RCHEN08

REV	DESCRIPTION
2015/01/29	
2015/02/06	
2015/05/18	

QUALITY SYMBOLS

GENERAL TOLERANCES (UNLESS SPECIFIED)

	mm	INCH
4 PLACES	± ---	± ---
3 PLACES	± ---	± ---
2 PLACES	± 0.13	± ---
1 PLACE	± 0.25	± ---
0 PLACE	± ---	± ---

ANGULAR ± 1°

DRAFT WHERE APPLICABLE MUST REMAIN WITHIN DIMENSIONS

DIMENSION STYLE: MM ONLY

SCALE: 2:1

DESIGN UNITS: METRIC

THIRD ANGLE PROJECTION

DRAWN BY: BREED DATE: 2008/10/07

CHECKED BY: DATE

DDOYE DATE: 2008/10/07

APPROVED BY: DATE

DDOYE DATE: 2008/10/07

MATERIAL NO.

SEE P/N TABLE

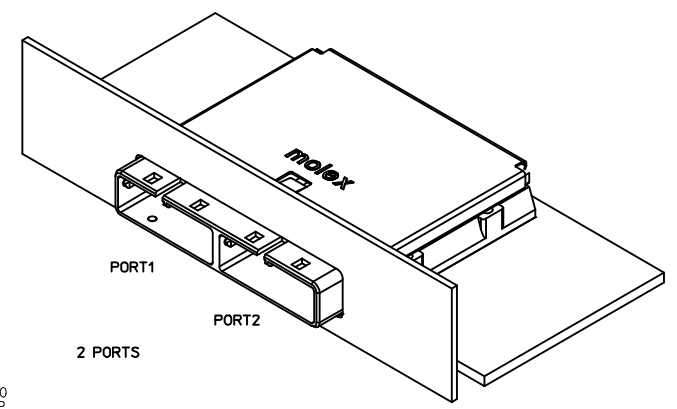
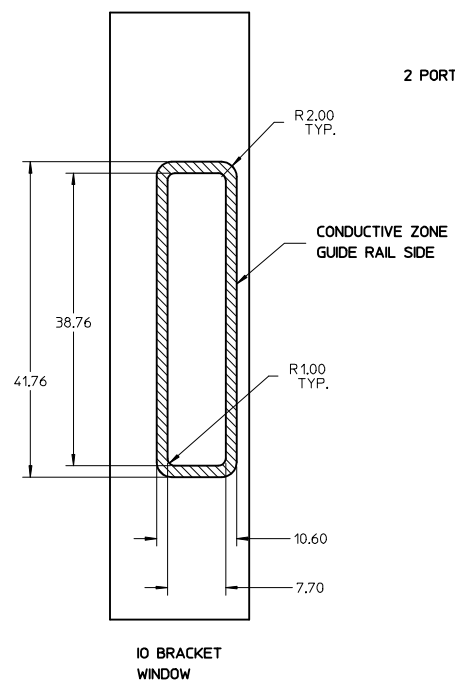
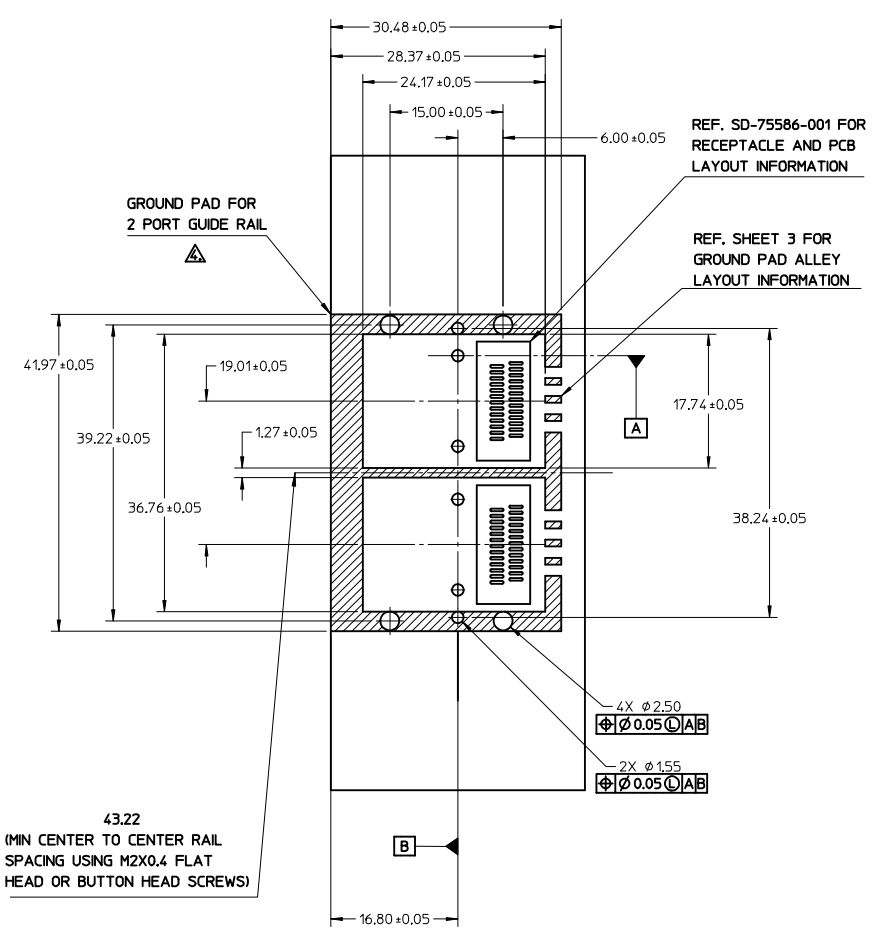
THIS DRAWING CONTAINS INFORMATION THAT IS PROPRIETARY TO MOLEX INCORPORATED AND SHOULD NOT BE USED WITHOUT WRITTEN PERMISSION

TITLE: IPASS SAS 2.0 26CKT GUIDE HOUSING ASSEMBLY 0 DEGREE, MULTI PORT

molex

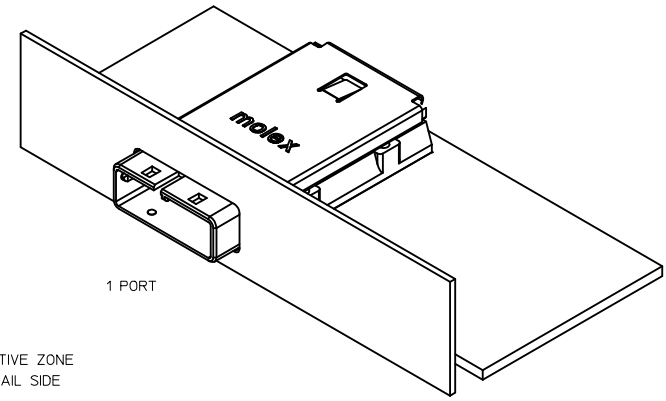
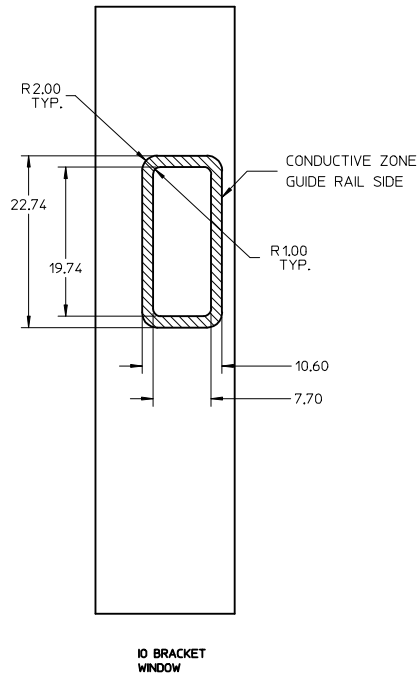
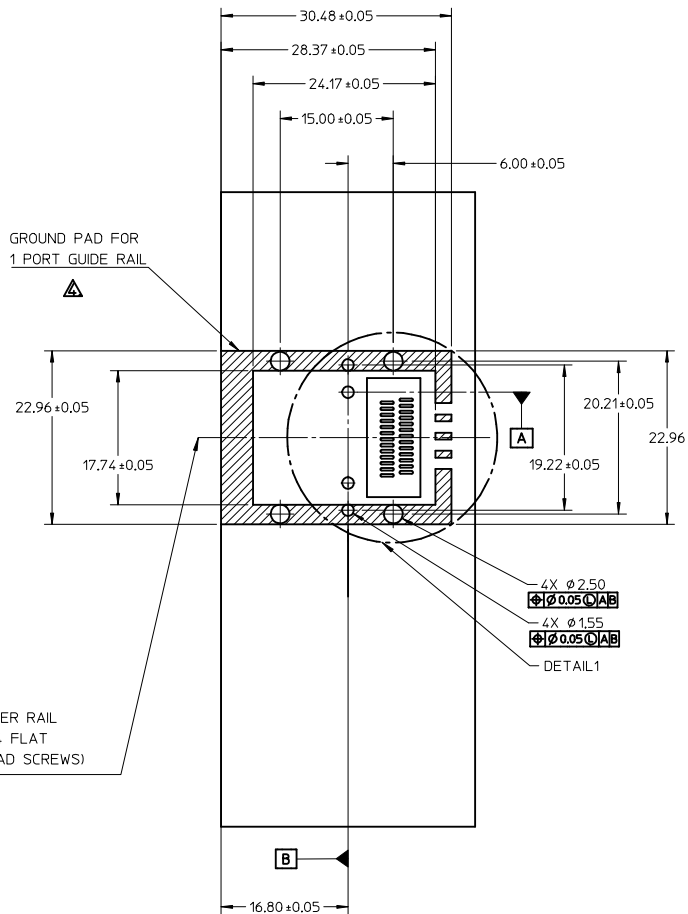
DOCUMENT NO. SD-111049-010

SHEET NO. 1 OF 4

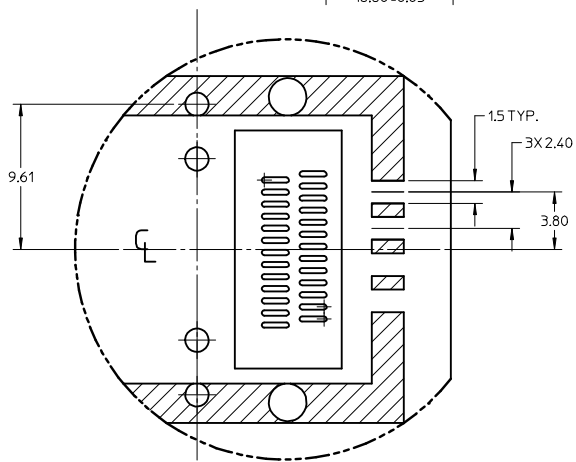


PART NUMBER	PORT SIZE	SW	OAW	KEY(S) PORT1	KEY(S) PORT2	IDENTIFIERS
1110490104	2	38.26	41.96	2.4	2.4	SAS OUT PORT/END DEVICE
1110490105	2	38.26	41.96	4.6	4.6	SAS IN PORT/END DEVICE
1110490106	2	38.26	41.96	4	4	SAS UNIVERSAL PORT
1110490110	2	38.26	41.96	2.4	4.6	SAS OUT PORT/SAS IN PORT
1110490121	2	38.26	41.96	6	6	SAS IN PORT

SEE REVISION TABLE EC NO: CFG2015-4013 TIDRW:LU20 2015/01/29 CHKD:SYANG16 2015/02/06 APPR:RCHEN08 2015/05/18	QUALITY SYMBOLS 	GENERAL TOLERANCES (UNLESS SPECIFIED)		DIMENSION STYLE MM ONLY		SCALE 2:1	DESIGN UNITS METRIC	THIRD ANGLE PROJECTION
		4 PLACES ± --- ± --- 3 PLACES ± --- ± --- 2 PLACES ± 0.13 ± --- 1 PLACE ± 0.25 ± --- 0 PLACE ± --- ± ---	mm INCH DRAWN BY DATE BREED 2008/10/07 CHECKED BY DATE DDOYE 2008/10/07 APPROVED BY DATE DDOYE 2008/10/07	TITLE IPASS SAS 2.0 26CKT GUIDE HOUSING ASSEMBLY 0 DEGREE, MULTIPORT			DOCUMENT NO. SD-111049-010	SHEET NO. 2 OF 4
		ANGULAR ± 1 °		SEE P/N TABLE				
		DRAFT WHERE APPLICABLE MUST REMAIN WITHIN DIMENSIONS				THIS DRAWING CONTAINS INFORMATION THAT IS PROPRIETARY TO MOLEX INCORPORATED AND SHOULD NOT BE USED WITHOUT WRITTEN PERMISSION		



24.21
(MIN CENTER TO CENTER RAIL
SPACING USING M2X0.4 FLAT
HEAD OR BUTTON HEAD SCREWS)



PCB THICKNESS	SCREW LENGTH	TORQUE (IN LBS)
1.6 (.063')	5MM	2.3
2.38 (.093')	6MM	2.3
3.2 (.125')	6MM	2.3
X	+4MM MAX	2.3

PART NUMBER	PORT SIZE	SW	OAW	KEY(S)	IDENTIFIERS
1110490101	1	19.24	22.95	2.4	SAS OUT PORT/END DEVICE
1110490102	1	19.24	22.95	4.6	SAS IN PORT/END DEVICE
1110490103	1	19.24	22.95	4	SAS UNIVERSAL PORT
1110490120	1	19.24	22.95	2	SAS OUT PORT
1110490401	1	19.24	22.95	4	SAS UNIVERSAL PORT WITH 6MM SCREWS

SEE REVISION TABLE EC NO: CPG2015-4013 TDR:WINLU20 2015/01/29 CHKD:SYANG16 2015/02/06 APPR:RCHEM08 2015/05/18	QUALITY SYMBOLS ▽=0 ▽=0 ▽=0	GENERAL TOLERANCES (UNLESS SPECIFIED) mm INCH 4 PLACES ± --- ± --- 3 PLACES ± --- ± --- 2 PLACES ± 0.13 ± --- 1 PLACE ± 0.25 ± --- 0 PLACE ± --- ± --- ANGULAR ± 1 °	DIMENSION STYLE MM ONLY DRAWN BY DATE BREED 2008/10/07 CHECKED BY DATE DDOYE 2008/10/07 APPROVED BY DATE DDOYE 2008/10/07	SCALE 2:1 DESIGN UNITS METRIC THIRD ANGLE PROJECTION	TITLE IPASS SAS 2.0 26CKT GUIDE HOUSING ASSEMBLY 0 DEGREE, MULTI PORT moLEX	DOCUMENT NO. SD-111049-010 SHEET NO. 3 OF 4
	DRAFT WHERE APPLICABLE MUST REMAIN WITHIN DIMENSIONS		MATERIAL NO. SEE P/N TABLE	THIS DRAWING CONTAINS INFORMATION THAT IS PROPRIETARY TO MOLEX INCORPORATED AND SHOULD NOT BE USED WITHOUT WRITTEN PERMISSION		

