

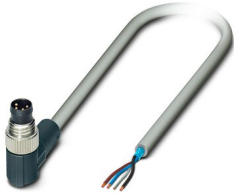
SAC-4P-M8MR/ 5,0-680 FDP - Sensor/actuator cable



1096008

<https://www.phoenixcontact.com/us/products/1096008>

Please be informed that the data shown in this PDF document is generated from our Online Catalog. Please find the complete data in the user documentation. Our General Terms of Use for Downloads are valid.



Sensor/actuator cable, 4-position, PVC, gray, shielded, Plug angled M8, on free cable end, cable length: 5 m, Foil shielding plus drain wire

Commercial Data

Item number	1096008
Packing unit	1 pc
Note	Made to Order (non-returnable)
Sales Key	BF13
Product Key	BF1IEF
GTIN	4055626929590
Weight per Piece (including packing)	22.22 g
Weight per Piece (excluding packing)	22.22 g
Country of origin	US

1096008

<https://www.phoenixcontact.com/us/products/1096008>

Technical Data

Product properties

Product type	Sensor/actuator cable
Number of positions	4
Application	Standard, U.S. cables
No. of cable outlets	1
Shielded	yes
Coding	A

Insulation characteristics

Overvoltage category	II
Degree of pollution	3

Material specifications

Flammability rating according to UL 94	HB
Material of grip body	TPU, hardly inflammable, self-extinguishing
Contact material	CuSn
Contact surface material	Ni/Au
Contact carrier material	TPU GF
Material for screw connection	Zinc die-cast, nickel-plated

Electrical properties

Contact resistance	$\leq 5 \text{ m}\Omega$
Insulation resistance	$\geq 100 \text{ M}\Omega$
Nominal voltage U_N	48 V AC
	60 V DC
Nominal current I_N	4 A
Protective circuit	unwired

Mechanical properties

Mechanical data

Insertion/withdrawal cycles	≥ 100
-----------------------------	------------

Signaling

Status display	No
Status display present	No

Connection data

Conductor connection

Tightening torque	0.2 Nm (M8 connectors)
-------------------	------------------------

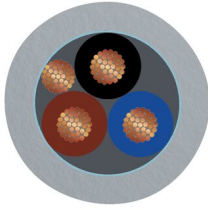
Cable/line

SAC-4P-M8MR/ 5,0-680 FDP - Sensor/actuator cable



1096008

<https://www.phoenixcontact.com/us/products/1096008>

Cable length	5 m
Dimensional drawing	
Cable weight	26.04 kg/km
UL AWM Style	2517 (105 °C / 300 V)
Number of positions	3
Shielded	yes
AWG signal line	24
Wire diameter incl. insulation	1.12 mm ±0.03 mm
External cable diameter	4.17 mm ±0.2 mm
Outer sheath, material	PVC
External sheath, color	gray
Conductor material	Tin-plated Cu litz wires
Material wire insulation	PVC (Signal line)
Single wire, color	brown, blue, black
Type of pair shielding	Plastic-coated aluminum foil, aluminum side inside
Overall twist	Conductors, fillers, and drain wire are twisted with left-hand lay
Max. conductor resistance	max. 80.2 Ω/km (20 °C)
Insulation resistance	≥ (550 M Ohms/m @ 500V)
Nominal voltage, cable	300 V
Minimum bending radius, flexible installation	8 x D
Flame resistance	FT4
Other resistance	UV resistant
Ambient temperature (operation)	-30 °C ... 105 °C (cable, fixed installation)

Environmental and real-life conditions

Ambient conditions

Degree of protection	IP65
	IP67
	IP68
Ambient temperature (operation)	-25 °C ... 90 °C (Plug / socket)
	-40 °C ... 80 °C (cable, fixed installation)
	-5 °C ... 80 °C (Cable, flexible installation)

Standards and regulations

Standards/specifications	IEC 61076-2-104
--------------------------	-----------------

SAC-4P-M8MR/ 5,0-680 FDP - Sensor/actuator cable

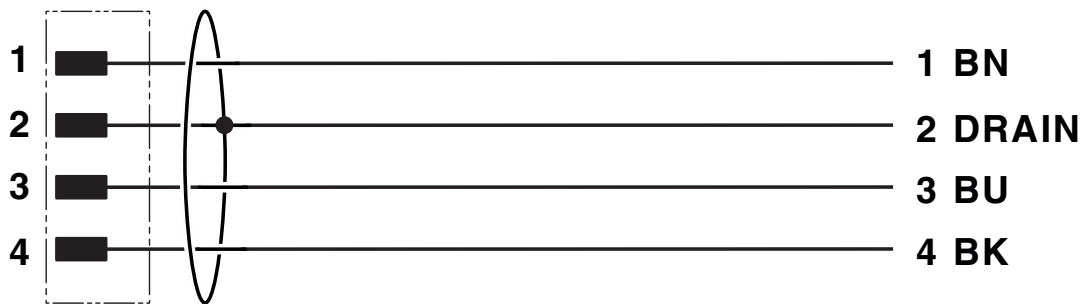


1096008

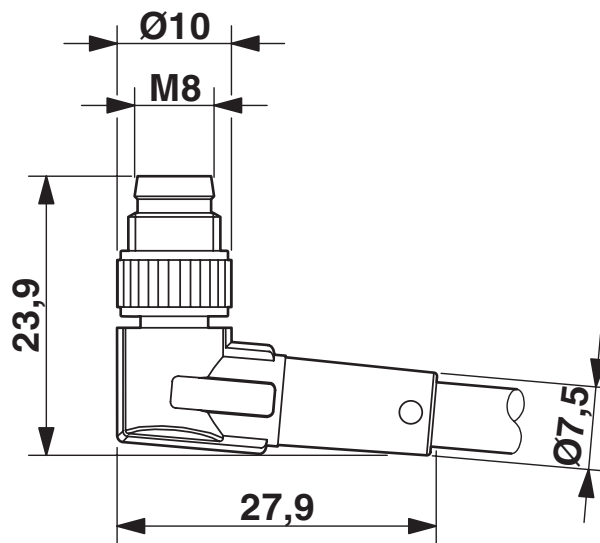
<https://www.phoenixcontact.com/us/products/1096008>

Drawings

Circuit diagram



Dimensional drawing

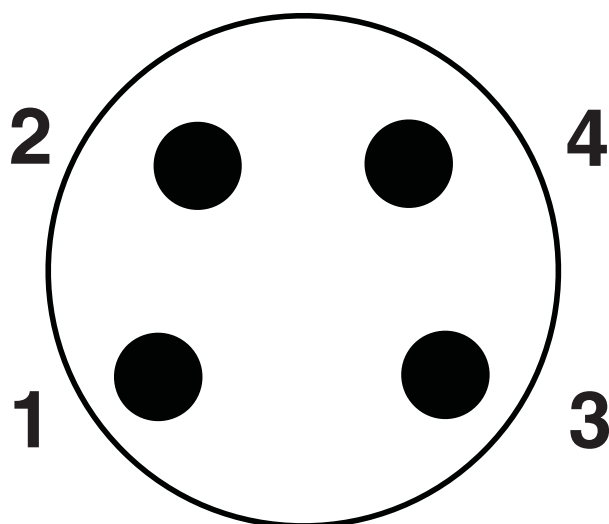


M8 x 1 male plug, angled version

1096008

<https://www.phoenixcontact.com/us/products/1096008>

Schematic diagram



Pin assignment M8 plug, 4-pos., view male side

SAC-4P-M8MR/ 5,0-680 FDP - Sensor/actuator cable




1096008

<https://www.phoenixcontact.com/us/products/1096008>

Approvals

 UL Listed Approval ID: FILE E 221474				
	Nominal Voltage U_N	Nominal Current I_N	Cross Section AWG	Cross Section mm^2
	30 V	4 A	-	-

 cUL Listed Approval ID: FILE E 221474				
	Nominal Voltage U_N	Nominal Current I_N	Cross Section AWG	Cross Section mm^2
	30 V	4 A	-	-

SAC-4P-M8MR/ 5,0-680 FDP - Sensor/actuator cable



1096008

<https://www.phoenixcontact.com/us/products/1096008>

Classifications

ECLASS

ECLASS-11.0	27060311
ECLASS-12.0	27060311
ECLASS-13.0	27060311

UNSPSC

UNSPSC 21.0	31251501
-------------	----------

SAC-4P-M8MR/ 5,0-680 FDP - Sensor/actuator cable



1096008

<https://www.phoenixcontact.com/us/products/1096008>

Environmental Product Compliance

REACH SVHC	Lead 7439-92-1
China RoHS	Environmentally Friendly Use Period = 50 years
	For information on hazardous substances, refer to the manufacturer's declaration available under "Downloads"

SAC-4P-M8MR/ 5,0-680 FDP - Sensor/actuator cable



1096008

<https://www.phoenixcontact.com/us/products/1096008>

Accessories

PROT-M 8 FS-PA-CHAIN - Sealing cap

1430857

<https://www.phoenixcontact.com/us/products/1430857>

M8 sealing cap made of plastic with fixing band for sensor cables, for M8 plugs



PROT-M 8 MS-PA-CHAIN - Screw plug

1430860

<https://www.phoenixcontact.com/us/products/1430860>

M8 sealing cap made of plastic with fixing band for sensor cables, for M8 sockets



SAC-4P-M8MR/ 5,0-680 FDP - Sensor/actuator cable



1096008

<https://www.phoenixcontact.com/us/products/1096008>

TSD 02 SAC - Torque screwdriver

1208487

<https://www.phoenixcontact.com/us/products/1208487>



Torque screwdriver, with preset torque of 0.2 Nm and 4 mm hexagonal drive for M8 connectors

SAC BIT M8-D10 - Tool

1208461

<https://www.phoenixcontact.com/us/products/1208461>



Nut for assembling M8 connectors with longitudinal knurl and a knurl diameter of 10 mm, for 4 mm hexagonal drive

Phoenix Contact 2023 © - all rights reserved
<https://www.phoenixcontact.com>

Phoenix Contact USA
586 Fulling Mill Road
Middletown, PA 17057, United States
(+717) 944-1300
info@phoenixcon.com