



### Model Number

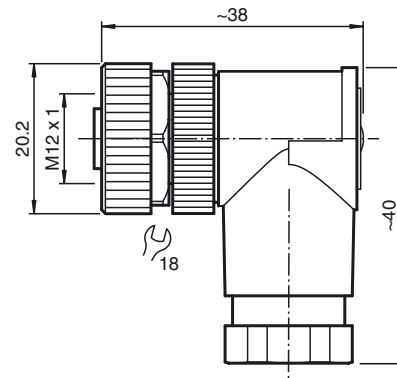
**V1-W-BK**

Single-ended female cordset, angled,  
M12, 4-pin, field attachable

### Features

- Screw terminal connection
- Metal locking

### Dimensions



### Technical data

#### General specifications

Number of pins	4
UL File Number	E363587

#### Electrical specifications

Operating voltage	$U_B$	max. 250 V AC/DC
Operating current	$I_B$	max. 4 A
Volume resistance		< 8 m $\Omega$

#### Ambient conditions

Ambient temperature	-40 ... 85 °C (-40 ... 185 °F)
Pollution degree	3

#### Mechanical specifications

Degree of protection	IP67
Connection	1 x M12 right-angled socket Screw terminals for max. 0.75 mm <sup>2</sup> , AWG 18

#### Material

Contacts	CuZn
Contact surface	CuSnZn
Body	PBT, black
Slotted nut	CuZn, nickel-plated

#### Cable

Sheath diameter	4 ... 6 mm
Mating cycles	50

#### Compliance with standards and directives

Standard conformity	
Degree of protection	EN 60529:2000

### Electrical connection

