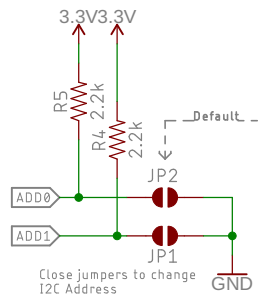
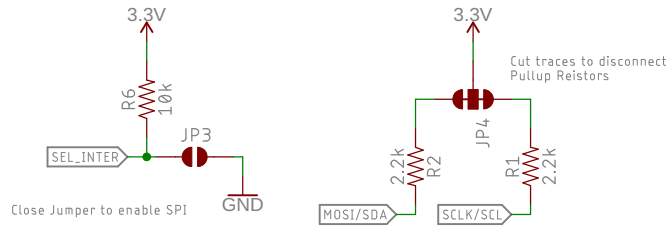


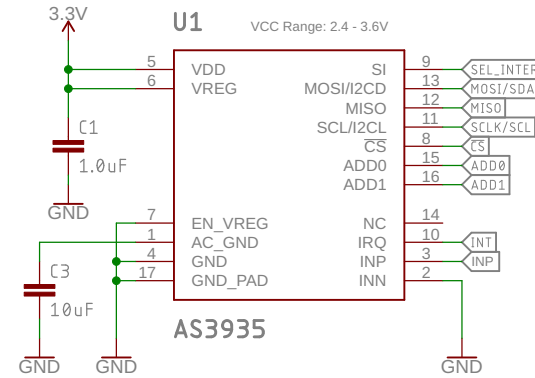
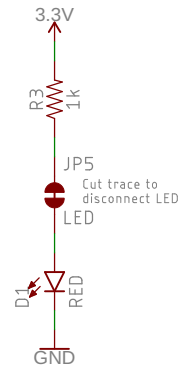
Jumpers



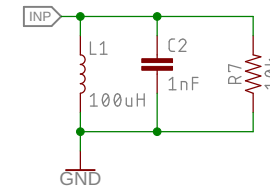
ADDRESS	ADD1	ADD0
0x03	OPEN	OPEN
0x02	OPEN	CLOSED
0x01	CLOSED	OPEN
0x00	CLOSED	CLOSED

These two addresses are reserved for special I2C purposes. Use if you know what you're doing. More Info Here: <https://www.i2c-bus.org/addressing/>

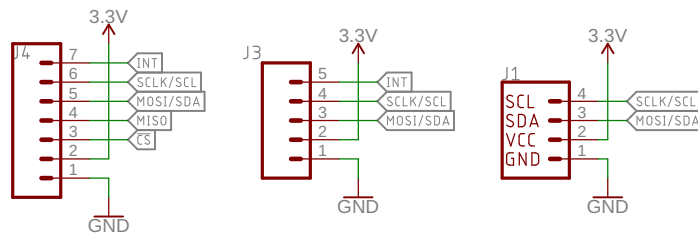
AS3935 Lightning Detector



500 kHz Resonance Antenna



Headers



Released under the Creative Commons Attribution Share-Alike 4.0 License
<https://creativecommons.org/licenses/by-sa/4.0/>

TITLE: Qwiic_AS3935_Lightning_Detector



Design by:
Elias Santistevan

REV:
v10

Date: 4/10/2019 9:40 AM

Sheet: 1/1