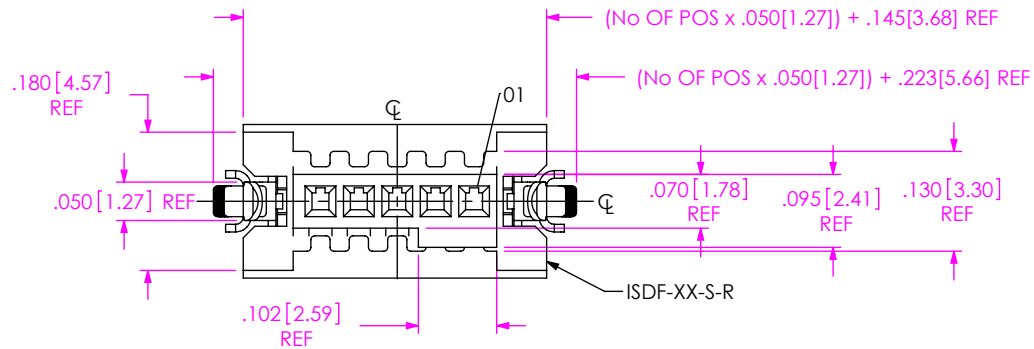


DO NOT SCALE FROM THIS PRINT



No OF POSITIONS  
-02 THRU -50

METAL RETENTION LATCH  
(LEAVE BLANK FOR NO LATCH)  
-M: METAL RETENTION LATCH

ROW SPECIFICATION  
-S: SINGLE (USE ISDF-XX-S-R)

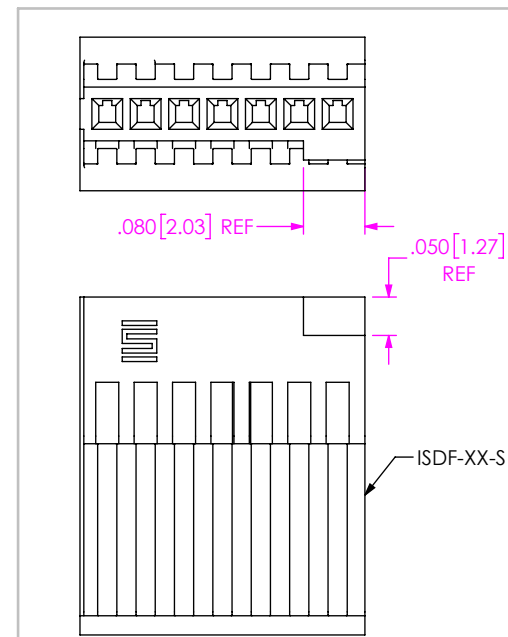
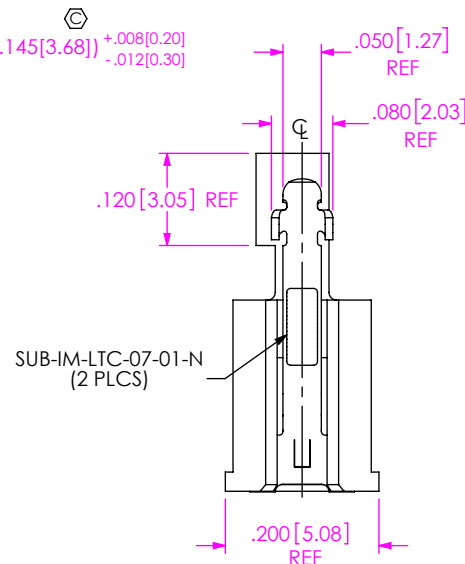
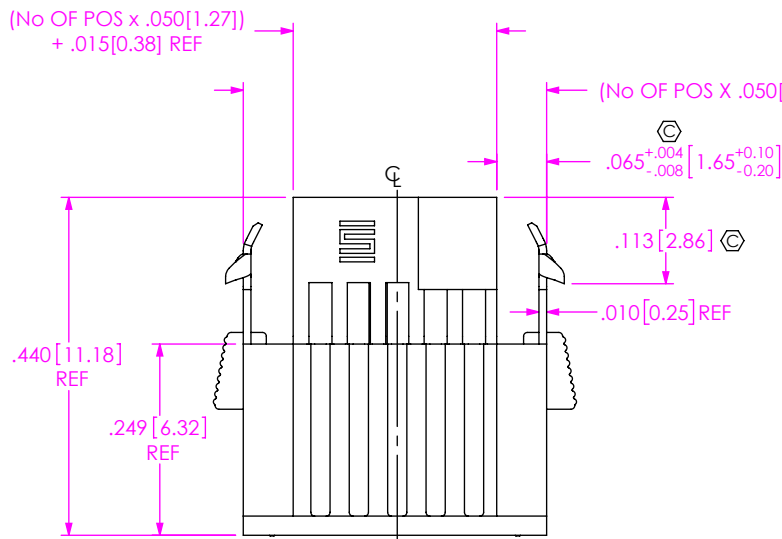
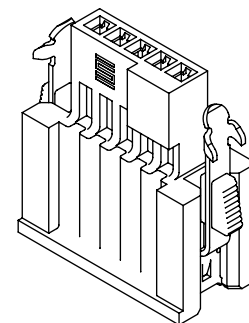
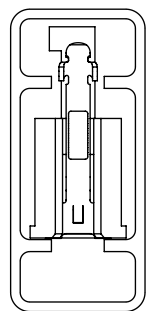
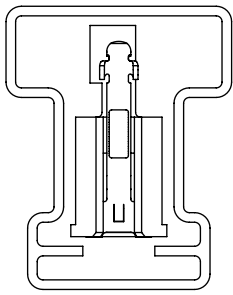


FIG 1  
ISDF-05-S-M SHOWN

FIG 2  
ISDF-07-S SHOWN  
(DIFFERENT AS SHOWN, OTHERWISE SAME AS FIG 1)

PACKAGING VIEW



TUBE: PT-1-24-02-44  
PLUG: TP-03

POSITIONS -02 THRU -04  
TUBE: PT-1-24-05-29  
PLUG: TP-03

NOTES:

1. Ⓢ REPRESENTS A CRITICAL DIMENSION.
2. LATCH RETENTION FORCE: .5 LB [2.22N].
3. PARTS TO BE PACKAGED IN TUBES.

UNLESS OTHERWISE SPECIFIED, DIMENSIONS ARE IN INCHES.  
TOLERANCES ARE:  
DECIMALS ANGLES  
.XX: ±.01 [.3] 2°  
.XXX: ±.005 [.13]  
.XXXX: ±.0020 [.051]

PROPRIETARY NOTE  
THIS DOCUMENT CONTAINS CONFIDENTIAL AND PROPRIETARY INFORMATION AND ALL DESIGN, MANUFACTURING, REPRODUCTION, USE, PATENT RIGHTS AND SALES RIGHTS ARE EXPRESSLY RESERVED BY SAMTEC, INC. THIS DOCUMENT SHALL NOT BE DISCLOSED, IN WHOLE OR PART, TO ANY UNAUTHORIZED PERSON OR ENTITY NOR REPRODUCED, TRANSFERRED OR INCORPORATED IN ANY OTHER PROJECT IN ANY MANNER WITHOUT THE EXPRESS WRITTEN CONSENT OF SAMTEC, INC.



520 PARK EAST BLVD, NEW ALBANY, IN 47150  
PHONE: 812-944-6733 FAX: 812-948-5047  
e-Mail info@SAMTEC.com code 55322

MATERIAL: DO NOT SCALE DRAWING SHEET SCALE: 4:1  
INSULATOR: LCP, UL 94V-0, COLOR: BLACK  
LATCH: NICKEL-PLATED PHOS BRONZE  
BUTTON: NYLON, COLOR: WHITE

DESCRIPTION:  
.050 [1.27] DISCRETE WIRE INSULATOR & LATCH ASM  
DWG. NO. ISDF-XX-S-X

BY: GAYNOR 6/18/2008 SHEET 1 OF 1