

ERM. Adjustable handles

Zinc alloy, steel or stainless steel clamping element

INCH

INOX STAINLESS STEEL
RoHS

- 1
- 2
- 3
- 4
- 5
- 6
- 7
- 8
- 9
- 10
- 11
- 12
- 13
- 14
- 15
- 16
- 17
- 18

LEVER BODY

Die cast zinc alloy, epoxy resin coating, orange, red, grey, black colour, matte finish.

STANDARD EXECUTIONS

- **ERM-A:** black-oxide steel clamping element with threaded hole and retaining screw. Steel return spring.
- **ERM-SST:** AISI 303 stainless steel clamping element with threaded hole and retaining screw. AISI 301 stainless steel return spring.
- **ERM-p:** black-oxide steel clamping element with threaded screw and retaining screw. Steel return spring.
- **ERM-SST-p:** AISI 303 stainless steel clamping element with threaded screw and retaining screw. AISI 301 stainless steel return spring.

FEATURES AND APPLICATIONS

Particularly suitable when the lever turning angle is limited owing to lack of space.

SPECIAL EXECUTIONS ON REQUEST

- Lever body in different colours.
- Chrome-plated lever.
- Clamping element with plain hole.

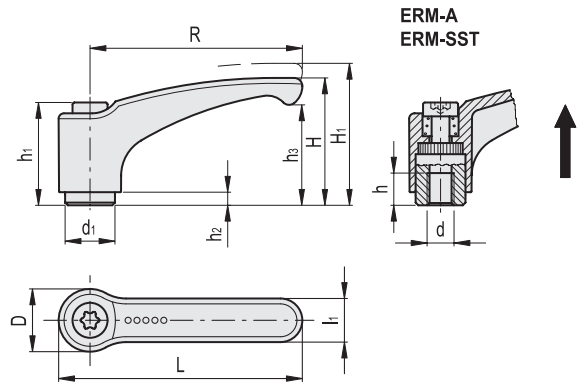
INSTRUCTIONS OF USE

For clamping, lift the lever to disengage the clamping device teeth and bring it back to start position. By releasing the lever, the return spring automatically engages the teeth.

If the lever cannot make a 360° rotation, the clamping element can be easily screwed by means of the hexagon socket front head screw (after having disengaged the lever).



ERGOSTYLE® ELESA Original design



* Complete with colour index of the lever body, example: 90240003-C2 ERM.44-10-32-C2

C2 RAL2004 **C6** RAL3000 **C8** RAL9006 **C9** RAL9005

INCH

ERM-A

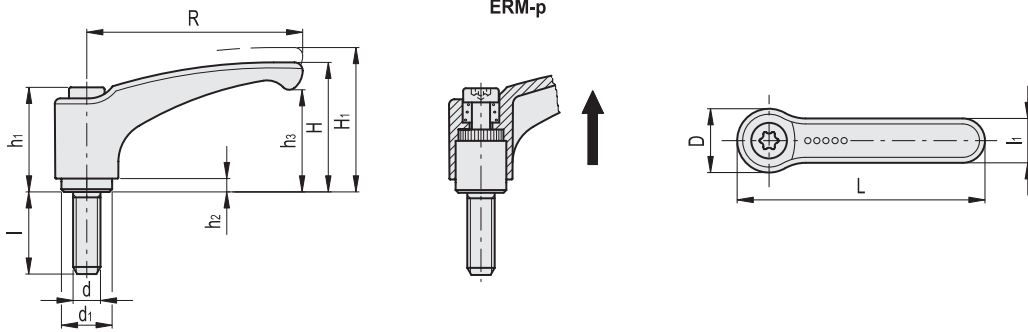
Code	Description	R	d	L	D	H	H1	h	h1	h2	h3	d1	l1	Teeth nr	
90240003*	ERM.44-10-32-*	1.73	10-32	2.05	0.57	1.18	1.3	0.31	0.96	0.14	0.81	0.39	0.43	18	0.04
90240004*	ERM.44-1/4-20-*	1.73	1/4-20	2.05	0.57	1.18	1.3	0.31	0.96	0.14	0.81	0.39	0.43	18	0.04
90240014*	ERM.63-1/4-20-*	2.48	1/4-20	2.89	0.71	1.5	1.61	0.39	1.22	0.14	1.06	0.53	0.53	24	0.09
90240015*	ERM.63-5/16-18-*	2.48	5/16-18	2.89	0.71	1.5	1.61	0.39	1.22	0.14	1.06	0.53	0.53	24	0.08
90240025*	ERM.78-5/16-18-*	3.07	5/16-18	3.56	0.85	1.81	1.97	0.55	1.42	0.14	1.36	0.63	0.63	26	0.15
90240026*	ERM.78-3/8-16-*	3.07	3/8-16	3.56	0.85	1.81	1.97	0.55	1.42	0.14	1.36	0.63	0.63	26	0.13
90240037*	ERM.95-3/8-16-*	3.74	3/8-16	4.29	0.98	2.2	2.4	0.67	1.69	0.2	1.65	0.77	0.71	28	0.23
90240038*	ERM.95-1/2-13-*	3.74	1/2-13	4.29	0.98	2.2	2.4	0.67	1.69	0.2	1.65	0.77	0.71	28	0.21

ERM-SST

INOX STAINLESS STEEL INCH

Code	Description	R	d	L	D	H	H1	h	h1	h2	h3	d1	l1	Teeth nr	
90241003*	ERM.44-SST-10-32-*	1.73	10-32	2.05	0.57	1.18	1.3	0.31	0.96	0.14	0.81	0.39	0.43	18	0.04
90241004*	ERM.44-SST-1/4-20-*	1.73	1/4-20	2.05	0.57	1.18	1.3	0.31	0.96	0.14	0.81	0.39	0.43	18	0.03
90241014*	ERM.63-SST-1/4-20-*	2.48	1/4-20	2.89	0.71	1.5	1.61	0.39	1.22	0.14	1.06	0.53	0.53	24	0.08
90241015*	ERM.63 SST-5/16-18-*	2.48	5/16-18	2.89	0.71	1.5	1.61	0.39	1.22	0.14	1.06	0.53	0.53	24	0.07
90241025*	ERM.78-SST-5/16-18-*	3.07	5/16-18	3.56	0.85	1.81	1.97	0.55	1.42	0.14	1.36	0.63	0.63	26	0.13
90241026*	ERM.78 SST-3/8-16-*	3.07	3/8-16	3.56	0.85	1.81	1.97	0.55	1.42	0.14	1.36	0.63	0.63	26	0.12
90241036*	ERM.95-SST-3/8-16-*	3.74	3/8-16	4.29	0.98	2.2	2.4	0.67	1.69	0.2	1.65	0.77	0.71	28	0.2
90241038*	ERM.95 SST-1/2-13-*	3.74	1/2-13	4.29	0.98	2.2	2.4	0.67	1.69	0.2	1.65	0.77	0.71	28	0.19

Clamping levers



* Complete with colour index of the lever body, example: 90240133-C2 ERM.44-10-32-047-C2

C2 RAL2004 **C6** RAL3000 **C8** RAL9006 **C9** RAL9005

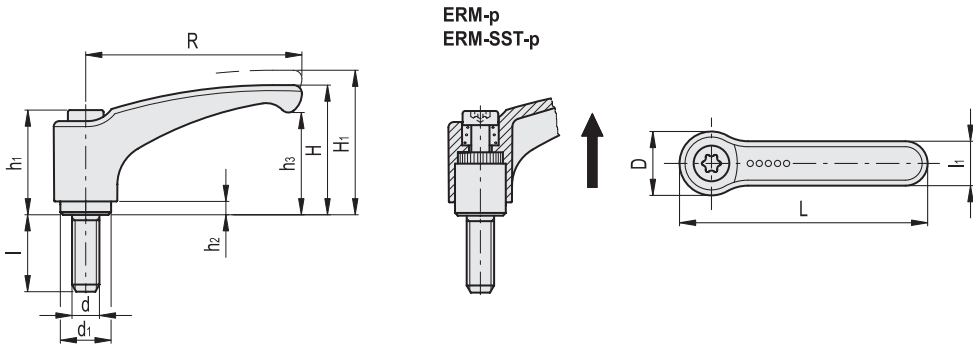
INCH

ERM-p

Code	Description	R	d	L	D	H	H1	h1	h2	h3	d1	l	l1	Teeth nr	⚖
90240133-*	ERM.44-10-32-047-*	1.73	10-32	2.05	0.57	1.18	1.3	0.96	0.14	0.81	0.39	0.47	0.43	18	0.04
90240135-*	ERM.44-10-32-063-*	1.73	10-32	2.05	0.57	1.18	1.3	0.96	0.14	0.81	0.39	0.63	0.43	18	0.04
90240137-*	ERM.44-10-32-079-*	1.73	10-32	2.05	0.57	1.18	1.3	0.96	0.14	0.81	0.39	0.79	0.43	18	0.04
90240139-*	ERM.44-10-32-098-*	1.73	10-32	2.05	0.57	1.18	1.3	0.96	0.14	0.81	0.39	0.98	0.43	18	0.04
90240141-*	ERM.44-10-32-126-*	1.73	10-32	2.05	0.57	1.18	1.3	0.96	0.14	0.81	0.39	1.26	0.43	18	0.05
90240143-*	ERM.44-10-32-157-*	1.73	10-32	2.05	0.57	1.18	1.3	0.96	0.14	0.81	0.39	1.57	0.43	18	0.05
90240153-*	ERM.44-1/4-20-047-*	1.73	1/4-20	2.05	0.57	1.18	1.3	0.96	0.14	0.81	0.39	0.47	0.43	18	0.04
90240155-*	ERM.44-1/4-20-063-*	1.73	1/4-20	2.05	0.57	1.18	1.3	0.96	0.14	0.81	0.39	0.63	0.43	18	0.04
90240157-*	ERM.44-1/4-20-079-*	1.73	1/4-20	2.05	0.57	1.18	1.3	0.96	0.14	0.81	0.39	0.79	0.43	18	0.05
90240159-*	ERM.44-1/4-20-098-*	1.73	1/4-20	2.05	0.57	1.18	1.3	0.96	0.14	0.81	0.39	0.98	0.43	18	0.05
90240163-*	ERM.44-1/4-20-126-*	1.73	1/4-20	2.05	0.57	1.18	1.3	0.96	0.14	0.81	0.39	1.26	0.43	18	0.05
90240165-*	ERM.44-1/4-20-157-*	1.73	1/4-20	2.05	0.57	1.18	1.3	0.96	0.14	0.81	0.39	1.57	0.43	18	0.05
90240167-*	ERM.44-1/4-20-177-*	1.73	1/4-20	2.05	0.57	1.18	1.3	0.96	0.14	0.81	0.39	1.97	0.43	18	0.06
90240235-*	ERM.63-1/4-20-079-*	2.48	1/4-20	2.89	0.71	1.5	1.61	1.22	0.14	1.06	0.53	0.79	0.53	24	0.12
90240237-*	ERM.63-1/4-20-098-*	2.48	1/4-20	2.89	0.71	1.5	1.61	1.22	0.14	1.06	0.53	0.98	0.53	24	0.13
90240251-*	ERM.63-5/16-18-047-*	2.48	5/16-18	2.89	0.71	1.5	1.61	1.22	0.14	1.06	0.53	0.47	0.53	24	0.09
90240253-*	ERM.63-5/16-18-063-*	2.48	5/16-18	2.89	0.71	1.5	1.61	1.22	0.14	1.06	0.53	0.63	0.53	24	0.09
90240255-*	ERM.63-5/16-18-079-*	2.48	5/16-18	2.89	0.71	1.5	1.61	1.22	0.14	1.06	0.53	0.79	0.53	24	0.09
90240257-*	ERM.63-5/16-18-098-*	2.48	5/16-18	2.89	0.71	1.5	1.61	1.22	0.14	1.06	0.53	0.98	0.53	24	0.09
90240259-*	ERM.63-5/16-18-126-*	2.48	5/16-18	2.89	0.71	1.5	1.61	1.22	0.14	1.06	0.53	1.26	0.53	24	0.1
90240261-*	ERM.63-5/16-18-157-*	2.48	5/16-18	2.89	0.71	1.5	1.61	1.22	0.14	1.06	0.53	1.57	0.53	24	0.1
90240263-*	ERM.63-5/16-18-177-*	2.48	5/16-18	2.89	0.71	1.5	1.61	1.22	0.14	1.06	0.53	1.77	0.53	24	0.1
90240265-*	ERM.63-5/16-18-197-*	2.48	5/16-18	2.89	0.71	1.5	1.61	1.22	0.14	1.06	0.53	1.97	0.53	24	0.11
90240267-*	ERM.63-5/16-18-248-*	2.48	5/16-18	2.89	0.71	1.5	1.61	1.22	0.14	1.06	0.53	2.48	0.53	24	0.11
90240273-*	ERM.63-3/8-16-079-*	2.48	3/8-16	2.89	0.71	1.5	1.61	1.22	0.14	1.06	0.53	0.79	0.53	24	0.09
90240275-*	ERM.63-3/8-16-098-*	2.48	3/8-16	2.89	0.71	1.5	1.61	1.22	0.14	1.06	0.53	0.98	0.53	24	0.09
90240277-*	ERM.63-3/8-16-126-*	2.48	3/8-16	2.89	0.71	1.5	1.61	1.22	0.14	1.06	0.53	1.26	0.53	24	0.1
90240279-*	ERM.63-3/8-16-157-*	2.48	3/8-16	2.89	0.71	1.5	1.61	1.22	0.14	1.06	0.53	1.57	0.53	24	0.1
90240281-*	ERM.63-3/8-16-177-*	2.48	3/8-16	2.89	0.71	1.5	1.61	1.22	0.14	1.06	0.53	1.77	0.53	24	0.11
90240283-*	ERM.63-3/8-16-197-*	2.48	3/8-16	2.89	0.71	1.5	1.61	1.22	0.14	1.06	0.53	1.97	0.53	24	0.11
90240351-*	ERM.78-3/8-16-063-*	3.07	3/8-16	3.56	0.85	1.81	1.97	1.42	0.14	1.36	0.63	0.63	0.63	26	0.18
90240353-*	ERM.78-3/8-16-079-*	3.07	3/8-16	3.56	0.85	1.81	1.97	1.42	0.14	1.36	0.63	0.79	0.63	26	0.19
90240355-*	ERM.78-3/8-16-098-*	3.07	3/8-16	3.56	0.85	1.81	1.97	1.42	0.14	1.36	0.63	0.98	0.63	26	0.2
90240357-*	ERM.78-3/8-16-126-*	3.07	3/8-16	3.56	0.85	1.81	1.97	1.42	0.14	1.36	0.63	1.26	0.63	26	0.22
90240359-*	ERM.78-3/8-16-157-*	3.07	3/8-16	3.56	0.85	1.81	1.97	1.42	0.14	1.36	0.63	1.57	0.63	26	0.24
90240360-*	ERM.78-3/8-16-177-*	3.07	3/8-16	3.56	0.85	1.81	1.97	1.42	0.14	1.36	0.63	1.77	0.63	26	0.25
90240361-*	ERM.78-3/8-16-197-*	3.07	3/8-16	3.56	0.85	1.81	1.97	1.42	0.14	1.36	0.63	1.97	0.63	26	0.26
90240363-*	ERM.78-3/8-16-248-*	3.07	3/8-16	3.56	0.85	1.81	1.97	1.42	0.14	1.36	0.63	2.48	0.63	26	0.27
90240371-*	ERM.78-1/2-13-126-*	3.07	1/2-13	3.56	0.85	1.81	1.97	1.42	0.14	1.36	0.63	1.26	0.63	26	0.26



Clamping levers



* Complete with colour index of the lever body, example: 90240133-C2 ERM.44-10-32-047-C2

C2 RAL2004 **C6** RAL3000 **C8** RAL9006 **C9** RAL9005

INCH

ERM-p

Code	Description	R	d	L	D	H	H1	h1	h2	h3	d1	l	l1	Teeth nr	⚖️
90240427.*	ERM.95-3/8-16-098.*	3.74	3/8-16	4.29	0.98	2.2	2.4	1.69	0.2	1.65	0.75	0.98	0.71	28	0.25
90240429.*	ERM.95-3/8-16-126.*	3.74	3/8-16	4.29	0.98	2.2	2.4	1.69	0.2	1.65	0.75	1.26	0.71	28	0.26
90240430.*	ERM.95-3/8-16-138.*	3.74	3/8-16	4.29	0.98	2.2	2.4	1.69	0.2	1.65	0.75	1.38	0.71	28	0.26
90240431.*	ERM.95-3/8-16-157.*	3.74	3/8-16	4.29	0.98	2.2	2.4	1.69	0.2	1.65	0.75	1.57	0.71	28	0.27
90240433.*	ERM.95-3/8-16-177.*	3.74	3/8-16	4.29	0.98	2.2	2.4	1.69	0.2	1.65	0.75	1.77	0.71	28	0.28
90240435.*	ERM.95-3/8-16-197.*	3.74	3/8-16	4.29	0.98	2.2	2.4	1.69	0.2	1.65	0.75	1.97	0.71	28	0.28
90240437.*	ERM.95-3/8-16-248.*	3.74	3/8-16	4.29	0.98	2.2	2.4	1.69	0.2	1.65	0.75	2.48	0.71	28	0.29
90240451.*	ERM.95-1/2-13-098.*	3.74	1/2-13	4.29	0.98	2.2	2.4	1.69	0.2	1.65	0.75	0.98	0.71	28	0.27
90240453.*	ERM.95-1/2-13-126.*	3.74	1/2-13	4.29	0.98	2.2	2.4	1.69	0.2	1.65	0.75	1.26	0.71	28	0.28
90240454.*	ERM.95-1/2-13-138.*	3.74	1/2-13	4.29	0.98	2.2	2.4	1.69	0.2	1.65	0.75	1.38	0.71	28	0.28
90240455.*	ERM.95-1/2-13-157.*	3.74	1/2-13	4.29	0.98	2.2	2.4	1.69	0.2	1.65	0.75	1.57	0.71	28	0.29
90240456.*	ERM.95-1/2-13-177.*	3.74	1/2-13	4.29	0.98	2.2	2.4	1.69	0.2	1.65	0.75	1.77	0.71	28	0.3
90240457.*	ERM.95-1/2-13-197.*	3.74	1/2-13	4.29	0.98	2.2	2.4	1.69	0.2	1.65	0.75	1.97	0.71	28	0.31
90240459.*	ERM.95-1/2-13-248.*	3.74	1/2-13	4.29	0.98	2.2	2.4	1.69	0.2	1.65	0.75	2.48	0.71	28	0.33

ERM-SST-p

INOX STAINLESS STEEL

INCH

Code	Description	R	d	L	D	H	H1	h1	h2	h3	d1	l	l1	Teeth nr	⚖️
90241155.*	ERM.44-SST-1/4-20-063.*	1.73	1/4-20	2.05	0.57	1.18	1.3	0.96	0.14	0.81	0.39	0.63	0.43	18	0.04
90241157.*	ERM.44-SST-1/4-20-079.*	1.73	1/4-20	2.05	0.57	1.18	1.3	0.96	0.14	0.81	0.39	0.79	0.43	18	0.05
90241159.*	ERM.44-SST-1/4-20-098.*	1.73	1/4-20	2.05	0.57	1.18	1.3	0.96	0.14	0.81	0.39	0.98	0.43	18	0.05
90241161.*	ERM.44-SST-1/4-20-126.*	1.73	1/4-20	2.05	0.57	1.18	1.3	0.96	0.14	0.81	0.39	1.26	0.43	18	0.05
90241165.*	ERM.44-SST-1/4-20-157.*	1.73	1/4-20	2.05	0.57	1.18	1.3	0.96	0.14	0.81	0.39	1.57	0.43	18	0.05
90241167.*	ERM.44-SST-1/4-20-177.*	1.73	1/4-20	2.05	0.57	1.18	1.3	0.96	0.14	0.81	0.39	1.77	0.43	18	0.06
90241255.*	ERM.63-SST-5/16-18-079.*	2.48	5/16-18	2.89	0.71	1.5	1.61	1.22	0.14	1.06	0.53	0.79	0.53	24	0.12
90241259.*	ERM.63-SST-5/16-18-126.*	2.48	5/16-18	2.89	0.71	1.5	1.61	1.22	0.14	1.06	0.53	1.26	0.53	24	0.13
90241261.*	ERM.63-SST-5/16-18-157.*	2.48	5/16-18	2.89	0.71	1.5	1.61	1.22	0.14	1.06	0.53	1.57	0.53	24	0.15
90241267.*	ERM.63-SST-5/16-18-248.*	2.48	5/16-18	2.89	0.71	1.5	1.61	1.22	0.14	1.06	0.53	2.48	0.53	24	0.17
90241273.*	ERM.63-SST-3/8-16-079.*	2.48	3/8-16	2.89	0.71	1.5	1.61	1.22	0.14	1.06	0.53	0.79	0.53	24	0.1
90241279.*	ERM.63-SST-3/8-16-157.*	2.48	3/8-16	2.89	0.71	1.5	1.61	1.22	0.14	1.06	0.53	1.57	0.53	24	0.12
90241355.*	ERM.78-SST-3/8-16-098.*	3.07	3/8-16	3.56	0.85	1.81	1.97	1.42	0.14	1.36	0.63	0.98	0.63	26	0.2
90241357.*	ERM.78-SST-3/8-16-126.*	3.07	3/8-16	3.56	0.85	1.81	1.97	1.42	0.14	1.36	0.63	1.26	0.63	26	0.22
90241359.*	ERM.78-SST-3/8-16-157.*	3.07	3/8-16	3.56	0.85	1.81	1.97	1.42	0.14	1.36	0.63	1.57	0.63	26	0.24
90241361.*	ERM.78-SST-3/8-16-197.*	3.07	3/8-16	3.56	0.85	1.81	1.97	1.42	0.14	1.36	0.63	1.97	0.63	26	0.26
90241363.*	ERM.78-SST-3/8-16-248.*	3.07	3/8-16	3.56	0.85	1.81	1.97	1.42	0.14	1.36	0.63	2.48	0.63	26	0.27
90241371.*	ERM.78-SST-1/2-13-126.*	3.07	1/2-13	3.56	0.85	1.81	1.97	1.42	0.14	1.36	0.63	1.26	0.63	26	0.25
90241453.*	ERM.95-SST-1/2-13-126.*	3.74	1/2-13	4.29	0.98	2.2	2.4	1.69	0.2	1.65	0.75	1.26	0.71	28	0.28
90241457.*	ERM.95-SST-1/2-13-197.*	3.74	1/2-13	4.29	0.98	2.2	2.4	1.69	0.2	1.65	0.75	1.97	0.71	28	0.31
90241459.*	ERM.95-SST-1/2-13-248.*	3.74	1/2-13	4.29	0.98	2.2	2.4	1.69	0.2	1.65	0.75	2.48	0.71	28	0.33