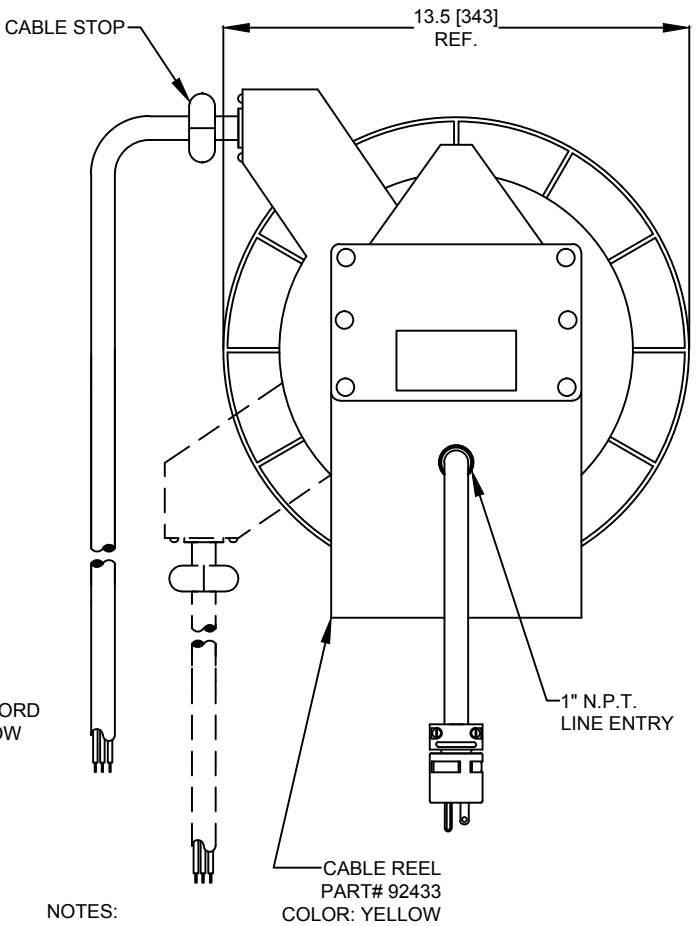
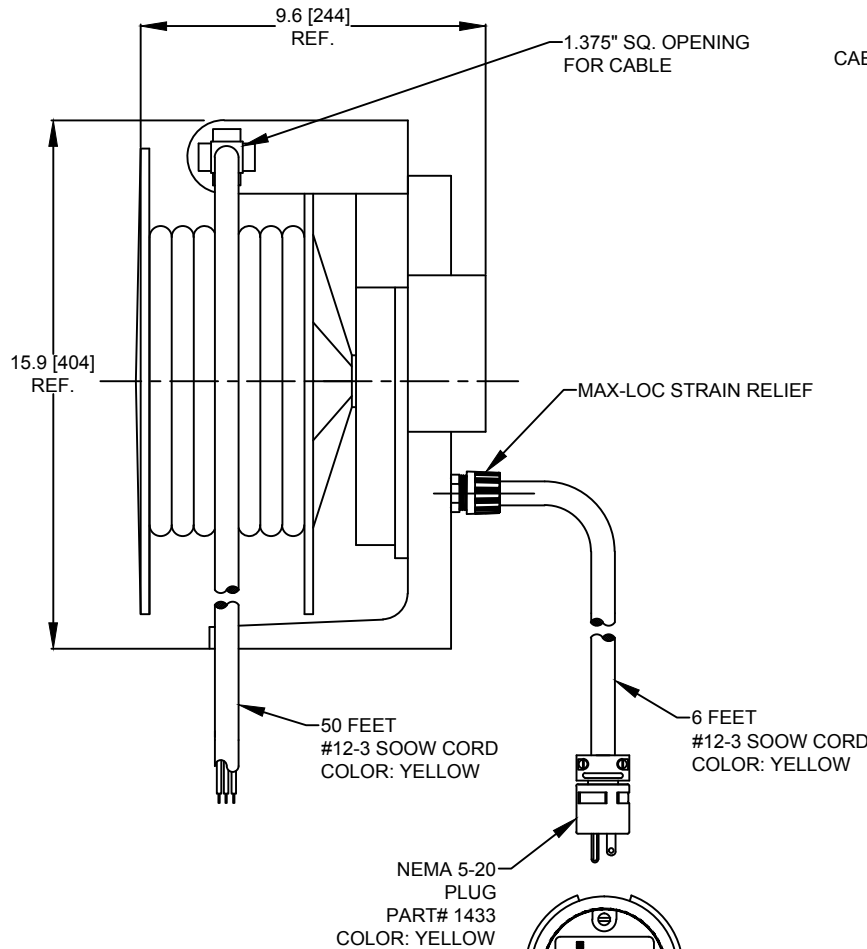
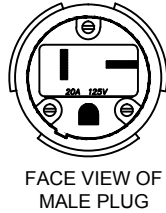
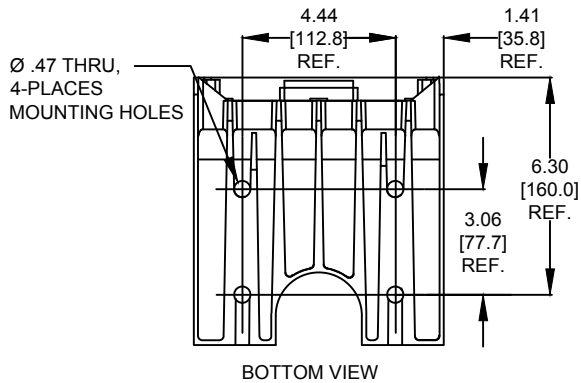


ORDER NO.	1300830926
WOODHEAD ENG. NO.	130083-0926
WIRE GAUGE	12
CONDUCTORS	3
AMPERAGE	18A
VOLTAGE	125V
CORD LENGTH	50 FT [15.24 M]
CORD TYPE	SOOW
CONSTRUCTION	HEAVY WALL CAST ALUMINUM
PAINT	YELLOW POWDER COAT
REEL ENCLOSURE RATING	INDOOR
RETRACTION WEIGHT	4.0 LB [1.8 KG]



NOTES:

1. NOT UL OR CSA LISTED
2. CABLE GUIDE IS ADJUSTABLE EVERY 5° OVER A 270 ° ARC.
3. RATCHET LOCK IS EASY TO DISENGAGE FOR CONSTANT TENSION
4. REEL CANNOT BE "LOCKED OUT" AT FULL TENSION
5. REEL IS TRUCK MOUNTABLE



RELEASE EC NO: IPC2016-0623 DRWN: KCOX01 2015/10/23 CHKD: HRUIZ 2015/10/23 APPR: JFMURPHY 2015/11/09	QUALITY SYMBOLS ▽=0 ▽=0	GENERAL TOLERANCES (UNLESS SPECIFIED)		DIMENSION STYLE	SCALE	DESIGN UNITS	THIRD ANGLE PROJECTION	
				INCH/MM	NTS	INCH		
		4 PLACES	±---	±---	DRAWN BY	DATE		TITLE
		3 PLACES	±---	±.005	KCOX01	2015/10/23		92433 CORD REEL W/ 6' 12-3 PRIMARY 1433 PLUG
			2 PLACES	±.13	±.010	CHECKED BY	DATE	
			1 PLACE	±.25	±.020	HRUIZ	2015/10/23	
			ANGULAR ±1/2°			APPROVED BY	DATE	
			DRAFT WHERE APPLICABLE MUST REMAIN WITHIN DIMENSIONS			JFMURPHY	2015/11/09	
						MATERIAL NO.	1300830926	
						DOCUMENT NO.	SD-130083-053	
						SIZE	A	
						THIS DRAWING CONTAINS INFORMATION THAT IS PROPRIETARY TO MOLEX INCORPORATED AND SHOULD NOT BE USED WITHOUT WRITTEN PERMISSION		

E

D

C

B

A

E

D

C

B

A

6

5

4

3

2

1

6

5

4

3

2

1