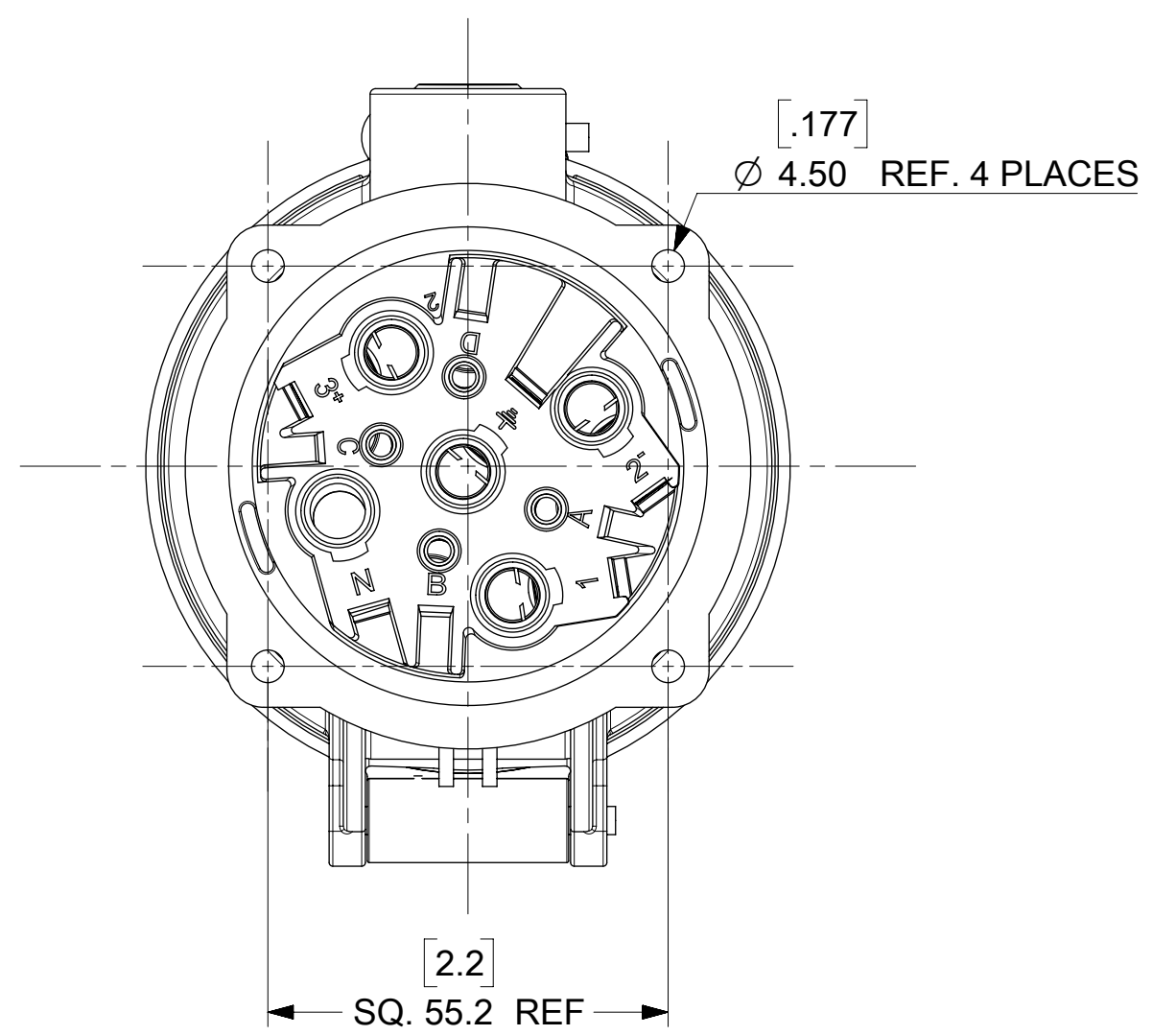
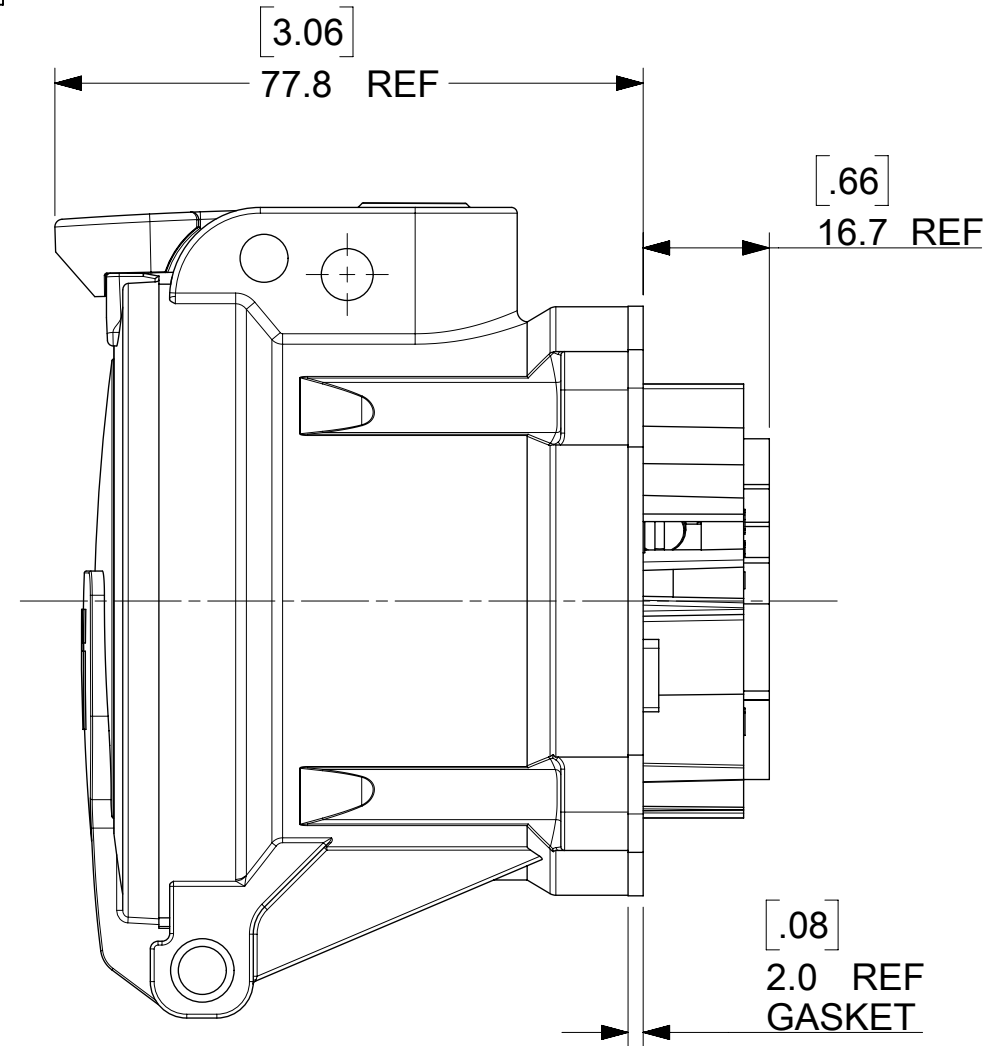
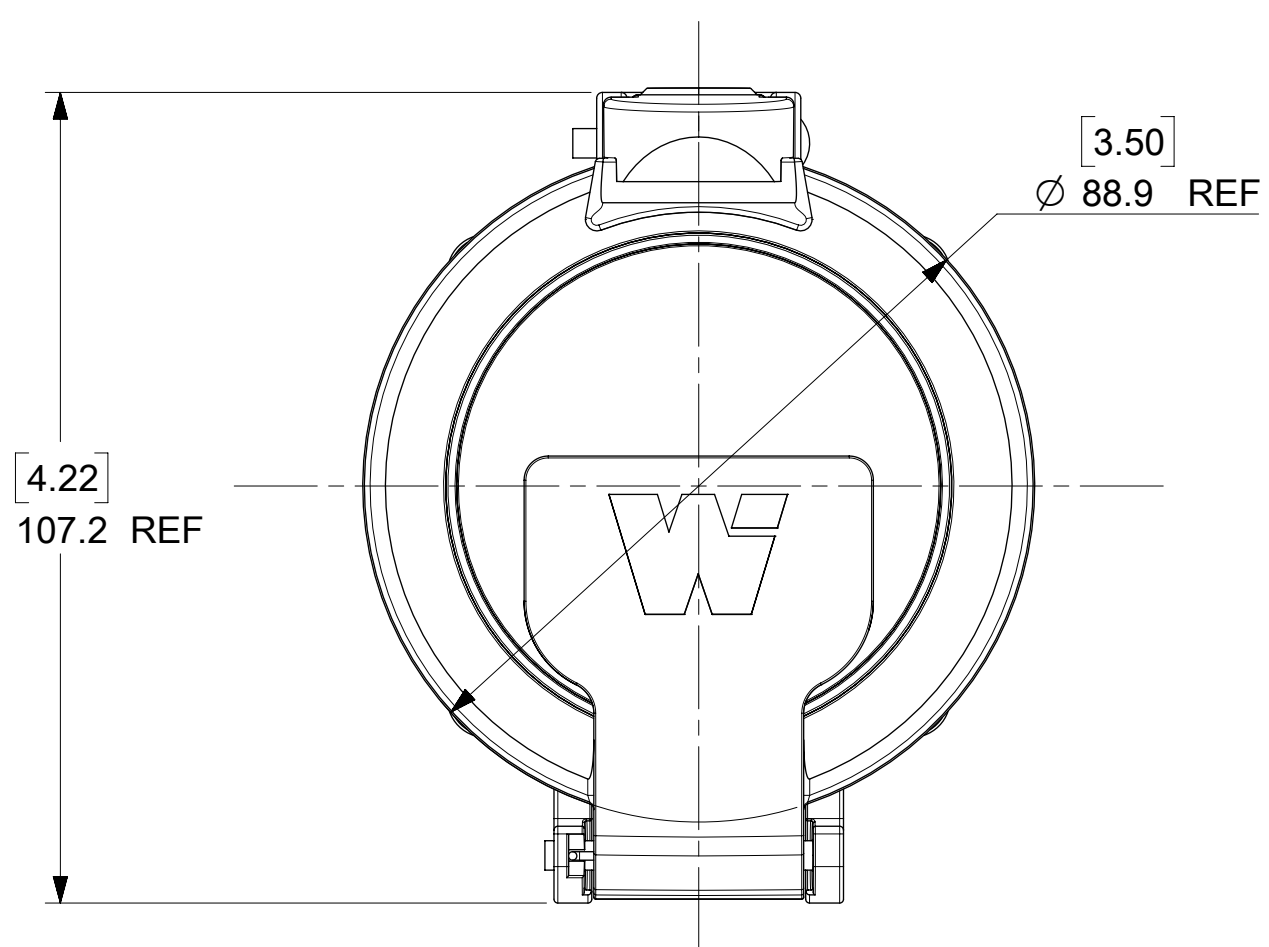
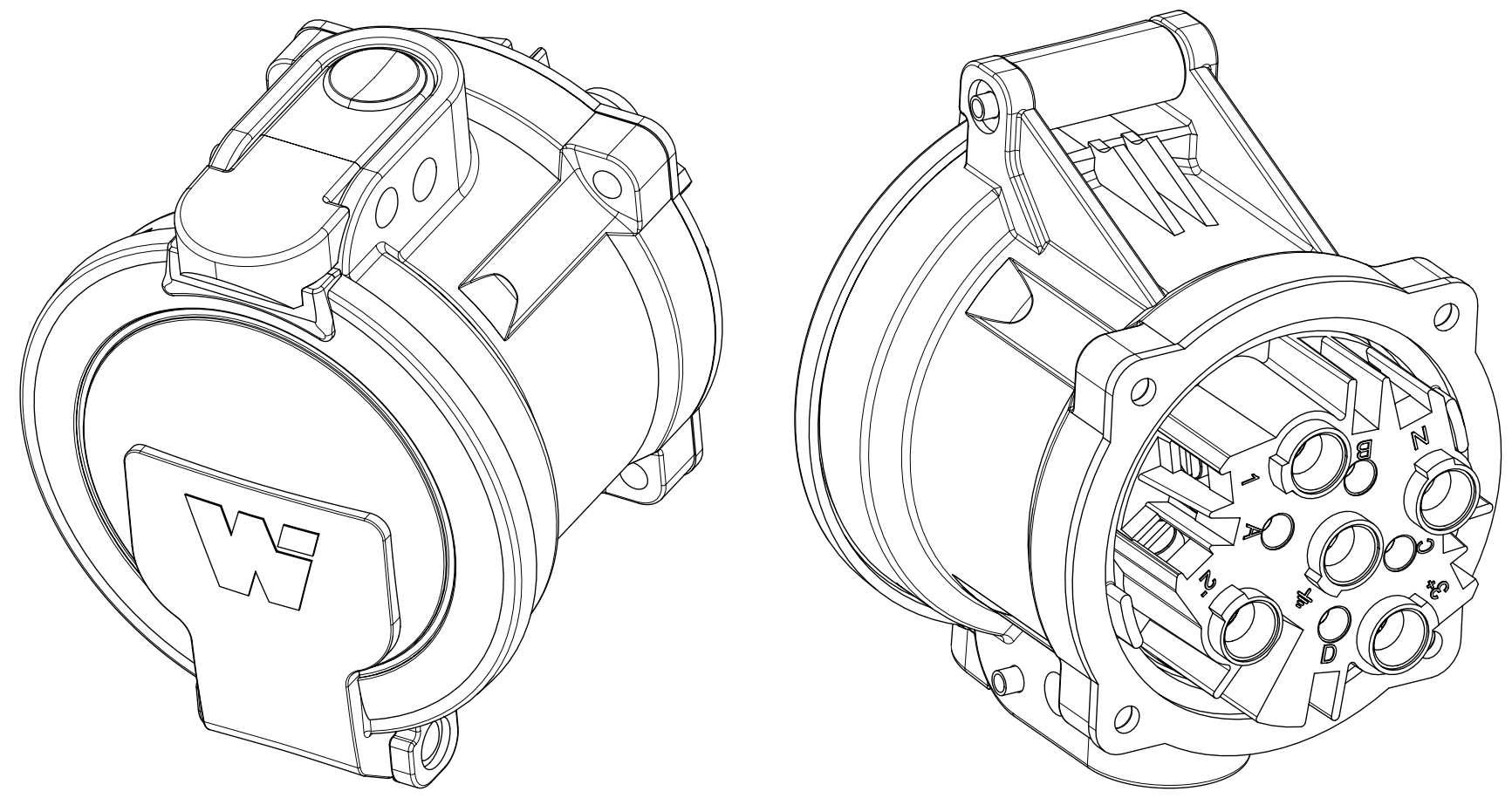


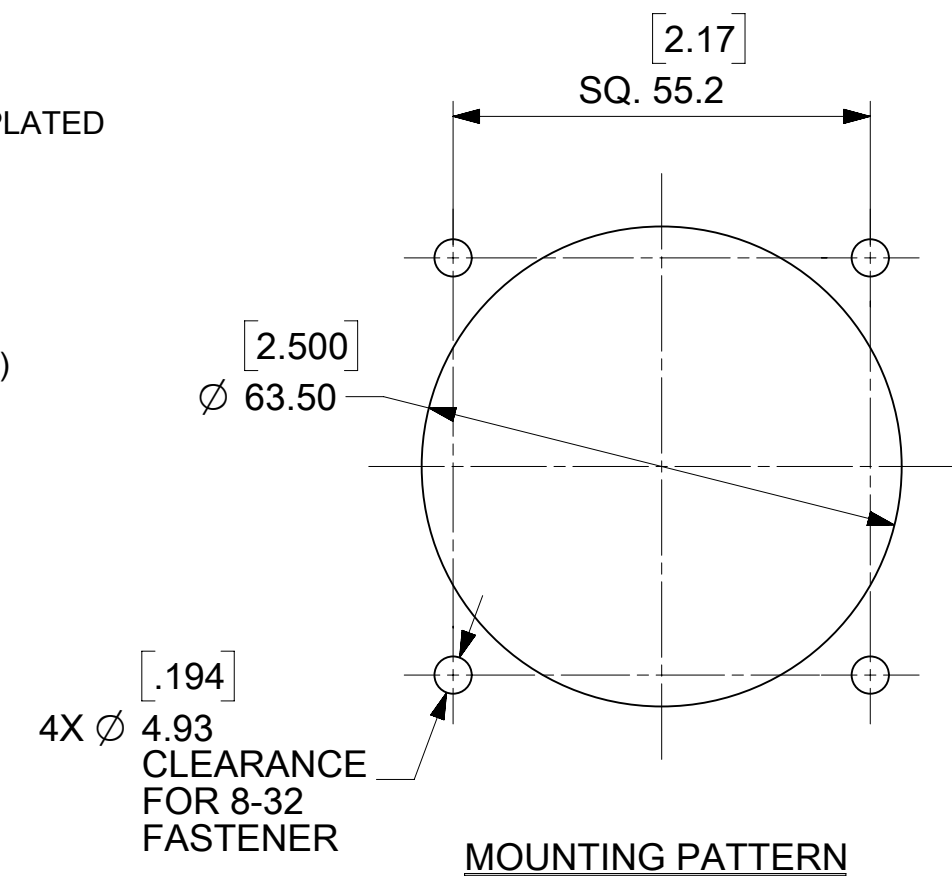
MATERIAL NUMBER	ENGINEERING NUMBER	DESCRIPTION	INSULATOR KEYING POSITION	HORSEPOWER RATING
1122170001	ARC60FA01	ARC 60A F 125VAC 1P+N+G	7	2 HP
1122170002	ARC60FB02	ARC 60A F 250VAC 2P+G		3 HP
1122170003	ARC60FB03	ARC 60A F 250VAC 3P+G		7.5 HP
1122170004	ARC60FAB04	ARC 60A F 125/250VAC 2P+N+G		NA
1122170005	ARC60FC02	ARC 60A F 208VAC 2P+G	16	NA
1122170006	ARC60FC03	ARC 60A F 208VAC 3P+G		7.5 HP
1122170007	ARC60FAC05	ARC 60A F 120/208VAC 3P+N+G		NA
1122170008	ARC60FD01	ARC 60A F 277VAC 1P+N+G	4	NA
1122170009	ARC60FE02	ARC 60A F 480VAC 2P+G		NA
1122170010	ARC60FE03	ARC 60A F 480VAC 3P+G		20 HP
1122170011	ARC60FDE05	ARC 60A F 277/480VAC 3P+N+G		NA
1122170012	ARC60FF02	ARC 60A F 600VAC 2P+G	14	NA
1122170013	ARC60FF03	ARC 60A F 600VAC 3P+G		20 HP
1122170014	ARC60FGF05	ARC 60A F 347/600VAC 3P+N+G		NA



NOTES:

MATERIALS:
HOUSINGS AND INSULATORS: GLASS FILLED PBT
CONTACTS: COPPER ALLOY WITH A SILVER NICKEL TIP, SILVER PLATED
MOUNTING AND INTERFACE GASKETS: SILICONE

RATINGS:
CURRENT: 60 AMPS
VOLTAGE AND HORSEPOWER: SEE TABLE
AMBIENT OPERATING TEMPERATURE: -25°C (-13°F) TO 60°C (140°F)
(WITH MAX. 30°C RISE ABOVE AMBIENT)
ENVIRONMENTAL: NEMA TYPE 4X & IP69K
WIRING CAPACITY: 10 AWG MIN. TO 4 AWG MAX.
TORQUE TERMINAL SCREWS TO 1.7 Nm (15 in-lbs)
AGENCY: UL LISTING PENDING
SCREW RATED RECEPTACLE/CONNECTOR
BRANCH CIRCUIT DISCONNECT SWITCH
MOTOR CIRCUIT DISCONNECT SWITCH IF HP RATED



LASER MARKING FOR REF ONLY
REFER TO TABLE FOR PART NUMBER INFORMATION

ELECTRICAL & ENVIRONMENTAL RATINGS: **Woodhead® ARC60FE03** ENGINEERING NO. **ARC60FE03 SHOWN**
60A, 480VAC, 3Ø
20HP, TYPE 4X, IP69K

WORK ORDER NO. → SWITCH RATED RECEPTACLE/CONNECTOR → DATE OF MANUFACTURER →

THIS DRAWING CONTAINS INFORMATION THAT IS PROPRIETARY TO MOLEX ELECTRONIC TECHNOLOGIES, LLC AND SHOULD NOT BE USED WITHOUT WRITTEN PERMISSION									
DIMENSION UNITS: MM/INCH		SCALE: 1:1		CURRENT REV DESC: GENERAL MARKET RELEASE					
GENERAL TOLERANCES (UNLESS SPECIFIED)				molex 60A ARC ARREST RECEPTACLE / CONNECTOR PRODUCT CUSTOMER DRAWING DOCUMENT NUMBER: 1122170010 DOC TYPE: PSD DOC PART: 000 REVISION: A2 MATERIAL NUMBER: SEE TABLE CUSTOMER: GENERAL MARKET SHEET NUMBER: 1 OF 1					
4 PLACES		±	±						
3 PLACES		±	± 0.01						
2 PLACES		±	± 0.02						
1 PLACE		±	± 0.04						
0 PLACES		±	± 1.0	EC NO: 674097		2021/08/17		2021/08/17	
ANGULAR TOL		±	± 3.0°	INITIAL REVISION:		2018/02/21		2020/11/17	
DRAFT WHERE APPLICABLE MUST REMAIN WITHIN DIMENSIONS				THIRD ANGLE PROJECTION		DRAWING: C-SIZE		SERIES: 112217	