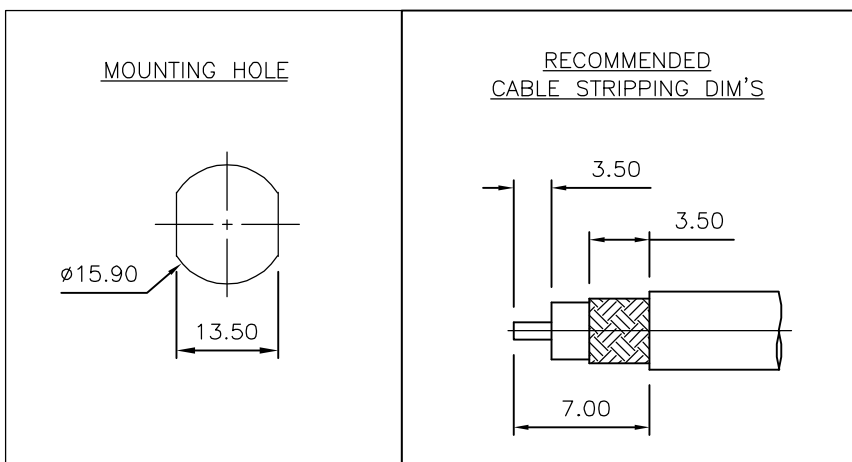
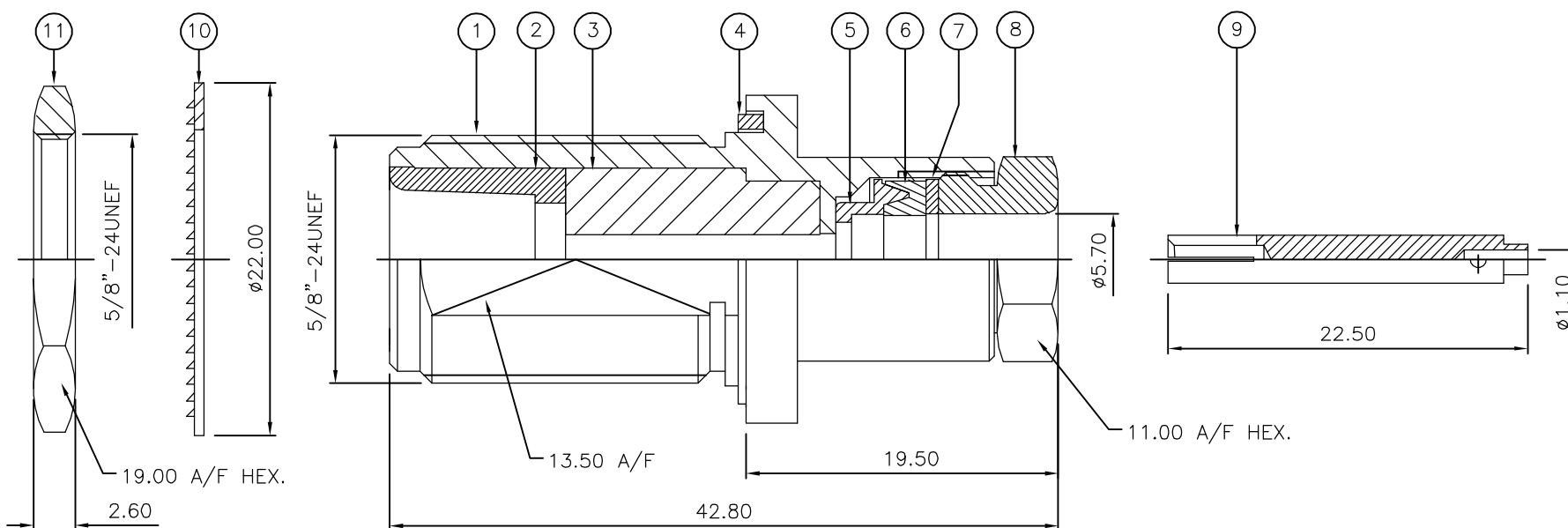


LOC	DIST	REVISIONS					
E	B	P	LTR	DESCRIPTION	DATE	DWN	APVD
		C		ECR-06-012506	24MAY06	JMS	FWK

NOTES:

- 1 PACK IN ACCORDANCE WITH AMP SPEC 107-3275
- 2 100 TRAY PACK IN ACCORDANCE WITH AMP SPEC 107-3275
- 3 Au PLATING
- 4 Ni PLATING
- 5 THIS ITEM MUST BE WHITE
- 6 ELECTRICAL CHARACTERISTICS
 FREQUENCY RANGE: DC - 11 GHz
 NOMINAL IMPEDANCE: 50 Ohm
 INSULATION RESISTANCE: 5000 MOhm
 WORKING VOLTAGE: 1000 Volts RMS at Sea Level
 DIELECTRIC WITHSTAND VOLTAGE: 2500 Volts RMS Max
 CONTACT RESISTANCE:
 CENTRE CONTACT: 1.00 mOhm Max
 OUTER CONTACT: 1.00 mOhm Max
 VSWR @ 4GHz: 1.30:1 Max
 INSERTION LOSS dB @ x 4 GHz: 0.30 Max
- 7 MECHANICAL CHARACTERISTICS
 COUPLING NUT RETENTION FORCE: N/A
 CABLE RETENTION FORCE: 170N Min
 CLAMP NUT RECOMMENDED TORQUE: 4N
 MOUNT NUT RECOMMENDED TORQUE: 6N
 DURABILITY: 500 Cycles Min
- 8 ENVIRONMENTAL CHARACTERISTICS
 OPERATING TEMPERATURE: -65 to +165 DegC
- 9 FOR TECHNICAL DATA REFER TO YOUR LOCAL TYCO ELECTRONICS SALES OFFICE
- 10 ALL DIMENSIONS ARE NOMINAL FOR REFERENCE ONLY UNLESS OTHERWISE STATED



QTY	QTY	MATERIAL	FINISH	DESCRIPTION	ITEM
1	1	BRASS	4	HEXAGONAL NUT	11
1	1	BRASS	4	LOCKWASHER	10
1	1	BRASS	3	CONTACT	9
1	1	BRASS	4	CLAMP NUT	8
1	1	BRASS	4	WASHER	7
1	1	SILICONE RUBBER	5	GASKET	6
1	1	BRASS	4	SLEEVE	5
1	1	SILICONE RUBBER	5	GASKET	4
1	1	PTFE		INSULATION	3
1	1	BRASS	4	CHASSIS	2
1	1	BRASS	4	BODY	1
6--0	1--0	MATERIAL		DESCRIPTION	ITEM

THIS DRAWING IS A CONTROLLED DOCUMENT.		DWN J.SANDWELL 24MAY06	Tyco Electronics Corporation Bideford EX39 4HE	
DIMENSIONS: mm		CHK S.PARLOW 24MAY06		
TOLERANCES UNLESS OTHERWISE SPECIFIED:		APVD F.WHEELER-KING 24MAY06	NAME TYPE 'N' BULKHEAD JACK REAR MOUNT	
0 PLC ± -		PRODUCT SPEC	MIL-CLAMP 50 OHM	
1 PLC ± -		APPLICATION SPEC	RG58C/U, 141A/U, URM43, 76, KX15	
2 PLC ± -		411-3252	SIZE A3	CAGE CODE 00779
3 PLC ± -		WEIGHT -	DRAWING NO C-1337640	
4 PLC ± -		FINISH -	RESTRICTED TO -	
ANGLES ± -		MATERIAL SEE TABLE	SCALE NTS	
FINISH -		CUSTOMER DRAWING	SHEET 1 OF 1	
			REV C	