

PRODUITS ASSOCIES ASSOCIATED PARTS				
COULEUR COLOR	GRIS GREY	ROUGE RED	VERT GREEN	VIOLET VIOLET
PORTE-MODULE 30 VOIES STANDARD STANDARD MODULE FRAME 30 WAY	7 703 297 770	7 703 297 769	7 703 297 768	7 703 297 771
PORTE-MODULE 30 VOIES SORTIE INVERSEE MODULE FRAME 30 WAY REVERSED EXIT	7 703 297 774	7 703 297 773	7 703 297 772	7 703 297 775

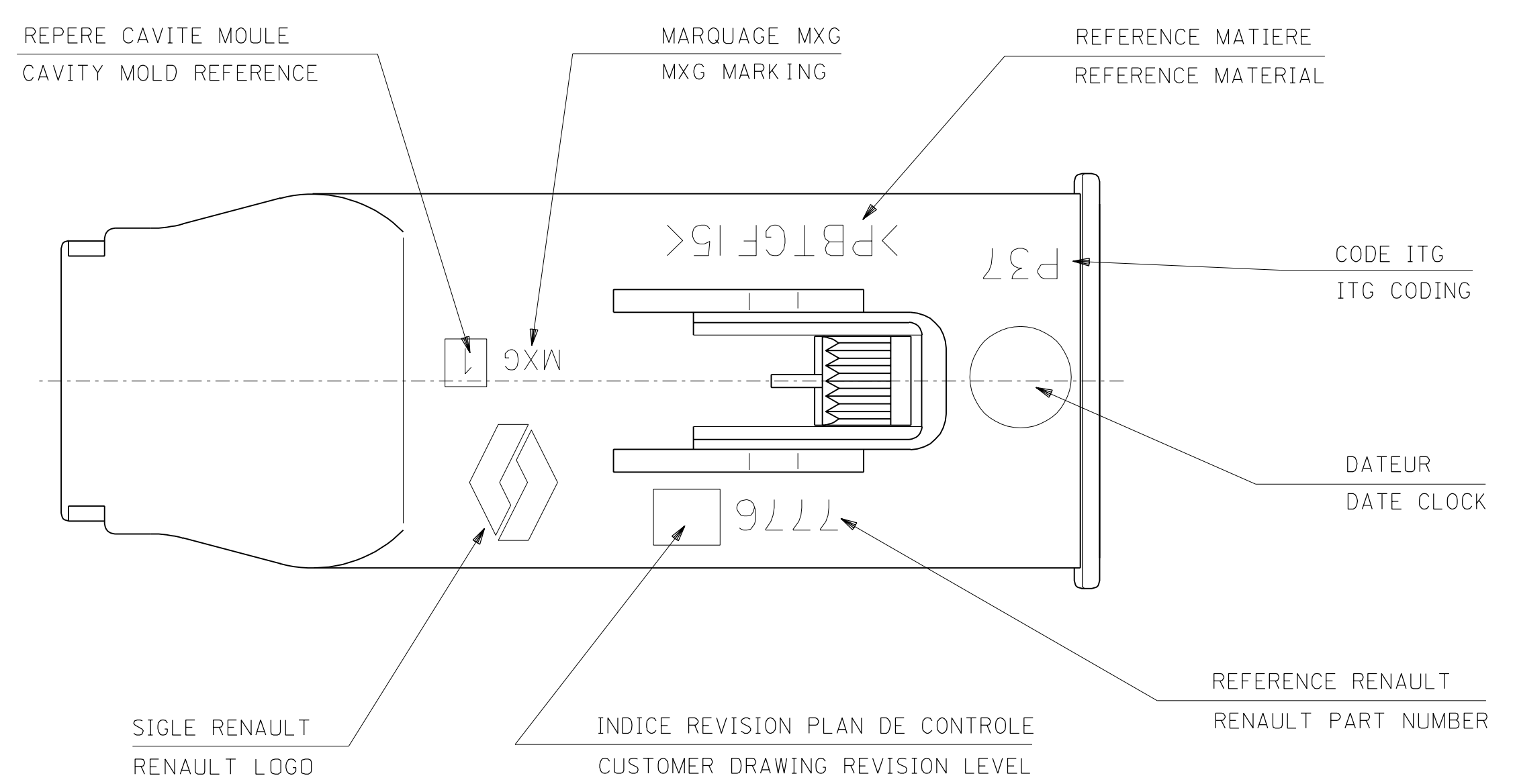
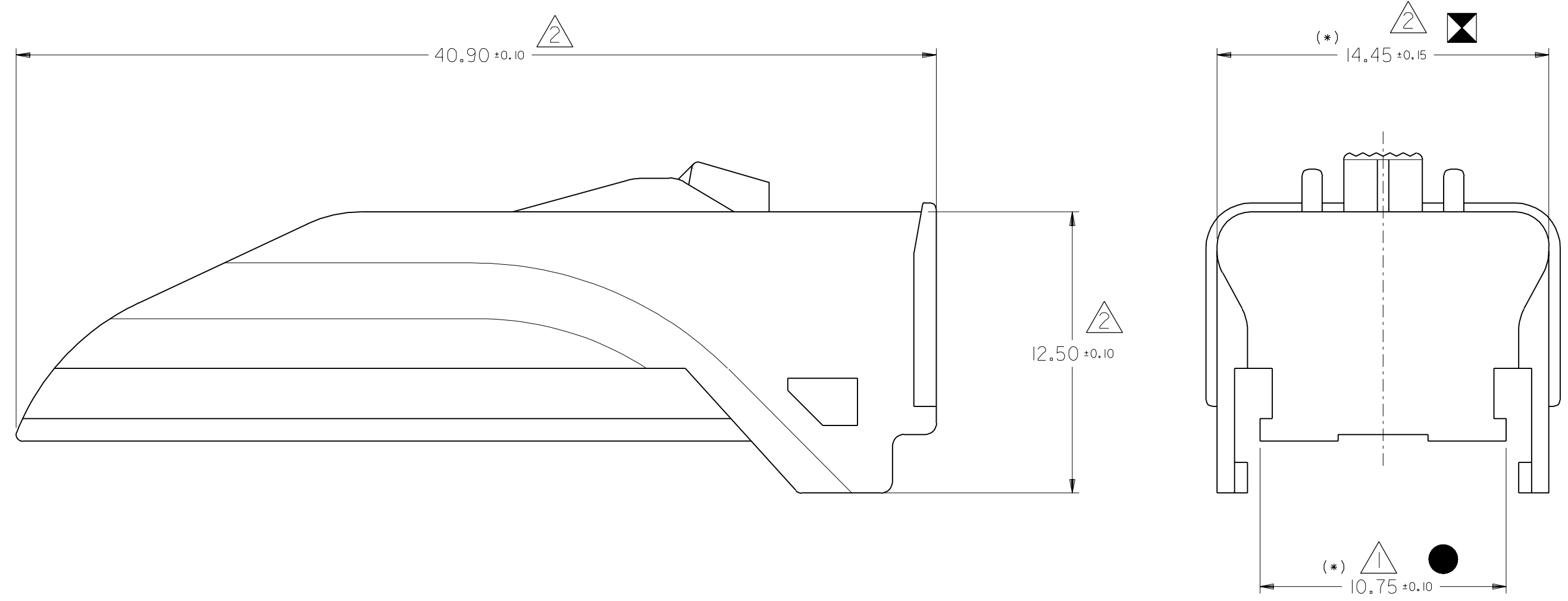
NOMENCLATURE PARTS LIST					
CAPOT WIRE CAP	GRIS GREY	PBTP 15 FV	98633-1001	7 703 297 776	0.0016 Kg
DESIGNATION DESIGNATION	COULEUR COLOR	MATIERE MATERIAL	REFERENCE MOLEX MOLEX PART NUMBER	REFERENCE RENAULT RENAULT PART NUMBER	MASSE WEIGHT

CLASSE D'UTILISATION LIMITS OF USE		
TEMPERATURE TEMPERATURE	1	-40° / +85°
ETANCHEITE SEALING	0	NON / NO
VIBRATION VIBRATION	1	

CAHIER DES CHARGES CUSTOMER SPECIFICATION	
N° : 36-05-019 DATE: 02 / 88	

EFFORTS FORCES	
FORCE D'INSERTION DU CAPOT SUR LE PORTE-MODULES A VIDE WIRE CAP INSERTION FORCE ON EMPTY MODULE FRAME	F < 20 N
FORCE DE TENUE DU CAPOT SUR LE PORTE-MODULES A VIDE WIRE CAP RETENTION FORCE ON EMPTY MODULE FRAME	F > 60 N

NOTA :
 CE PLAN ETANT UN EXTRAIT DU PLAN DE DEFINITION , ON FERA REFERENCE POUR TOUT LITIGE AU PLAN DE DEFINITION
 TOUTES COTES REPEREES (*) NON RESPECTEES SUR UN LOT DONNERA LIEU AU REFUS DU LOT
 THIS DRAWING IS AN EXTRACT OF THE PART DRAWING , FOR ANY LITIGATION THE PART DRAWING WILL BE THE ONLY REFERENCE
 ALL DIMENSIONS IDENTIFIED (*) NOT RESPECTED OF THIS BATCH WILL BE REFUSED



- INDICATION DIMENSIONS S.P.C DENOTES S.P.C DIMENSIONS
- INDICATION DIMENSIONS FONCTIONNELLES DENOTES FUNCTIONAL DIMENSIONS
- QUANTITE PAR FEUILLE INDIVIDUELLE
QUANTITY PER INDIVIDUAL SHEET
- = 1 PLACE(S) = 1 PLACE(S)

IND	DATE	REVISION
C	99/12/10	MISE A JOUR FORME DU CAPOT: - MODIFICATION LINGUET MAINTIEN LEVIER. UPDATE OF THE WIRE CAP: - MODIFICATION LINGUET KEEPING OF LEVER.
B	97/07/21	DEUXIEME DIFFUSION CLIENT. MISE A JOUR PIECE DEFINITIVE. AJOUT TABLEAU D'EFFORTS, NOUVELLE MISE EN PAGE. SECOND RELEASE FOR CUSTOMER. UPDATE FINAL PIECE. FORCES TABLE CHART ADDED. NEW DRAWING LAYOUT.
A	96/07/17	PREMIERE DIFFUSION CLIENT FIRST RELEASE FOR CUSTOMER

Note BE / D/D note 8948 I2	English CAPOT 30 VOIES WIRE CAP 30 WAY
Indice de modification du plan fournisseur Supplier's drawing modification index Note BE / D/D note	
Masse / weight 0.0016 Kg	
C.T. Service Department	Numero Number of 300 60606
Utilisateurs users	Reglement Regulation 7 703 297 776
	Numero du visa / Visa number RENAULT

MISE EN OEUVRE SPECIFICATION FILE	
CAHIER DE PRECONISATIONS N°: APPLICATION SPECIFICATIONS N°:	AS-98623-005
CALIBRE DE CONTROLE CONTROL GAUGE	
AU PIED A COULISSE OU AU PROJECTEUR DE PROFIL. VERIFIER LES COTES INDIQUEES SUR LE DESSIN DU CAPOT. WITH A SLIDING CALIPER OR PROFILE PROJECTOR, MEASURE THE NOTED DIMENSIONS ON THE WIRE CAP DRAWING.	

**HIERARCHISATION
DES CARACTERISTIQUES**
 APPLICATION PARTIELLE DE LA
 PROCEDURE D.E.22A/91/1810

EC NO. G-2000-3408 DRWN: PGR 99/12/10 CHK: / / / APPR: / / /	QUALITY SYMBOLS MAJOR = CRITICAL =	GENERAL TOLERANCES: (UNLESS SPECIFIED)	SCALE 5:1	DESIGN UNITS <input checked="" type="checkbox"/> mm <input type="checkbox"/> INCH	TITLE: PLAN DE CONTROLE CAPOT 30 VOIES CONTROL DRAWING WIRE CAP 30 WAY
		4 PLACES ±0. ±. 3 PLACES ±0. ±. 2 PLACES ±0. ±. 1 PLACE ±0. ±.	DRAWN BY & DATE PGR 96/07/17		
		ANGULAR: ± 1/2 °	CAD FILENAME S98633X1.DGN	MATERIAL NO. VOIR TABLEAU SEE CHART	DRAWING NO. SD-98633-003
		DRAFT WHERE APPLICABLE MUST REMAIN WITHIN DIMENSIONS	THIS DRAWING CONTAINS INFORMATION THAT IS PROPRIETARY TO MOLEX INCORPORATED AND SHOULD NOT BE USED WITHOUT WRITTEN PERMISSION.		SHEET NO. 1 OF 1