
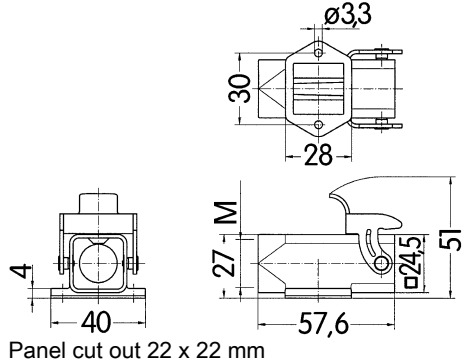


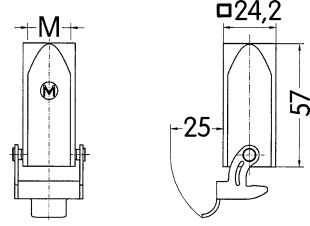

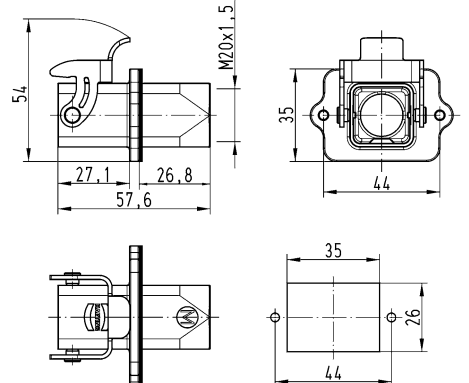


Housings

Identification	Cable entry	Cable diameter (mm)	Part number	Drawing (dimensions in mm)
Han A®, Surface mounted housing, Open bottom, Top entry 	1x M20		19 20 003 1250	 <p>Panel cut out 22 x 22 mm</p>
Han A®, Surface mounted housing, Bottom closed, Top entry 	1x M20		19 20 003 1252	
Han A®, Cable to cable housing, Top entry 	1x M20 1x M25		19 20 003 1750 19 20 003 1755	
Han A®, Panel feed through housing, Top entry 	1x M20		19 20 003 1120	 <p>Panel cut out</p>