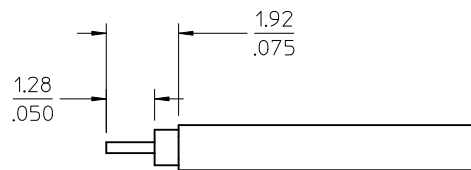
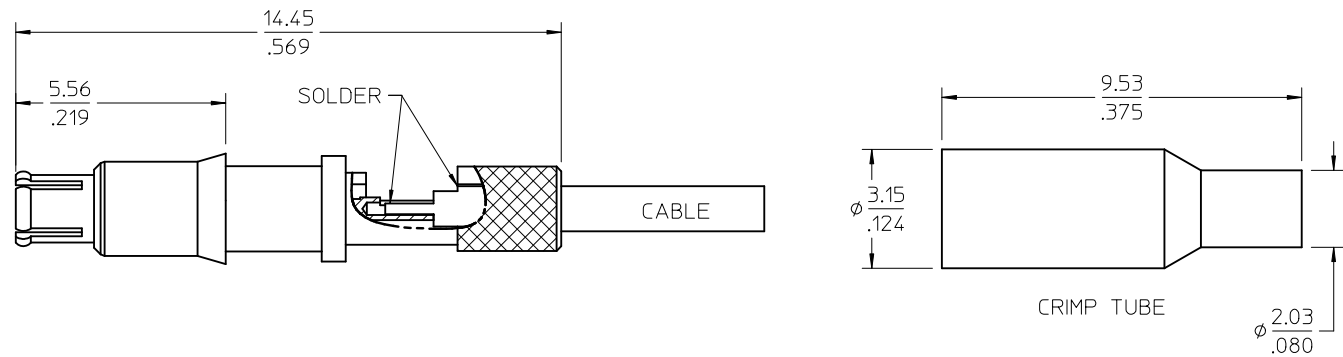
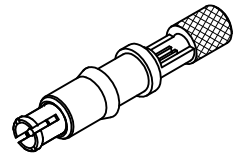
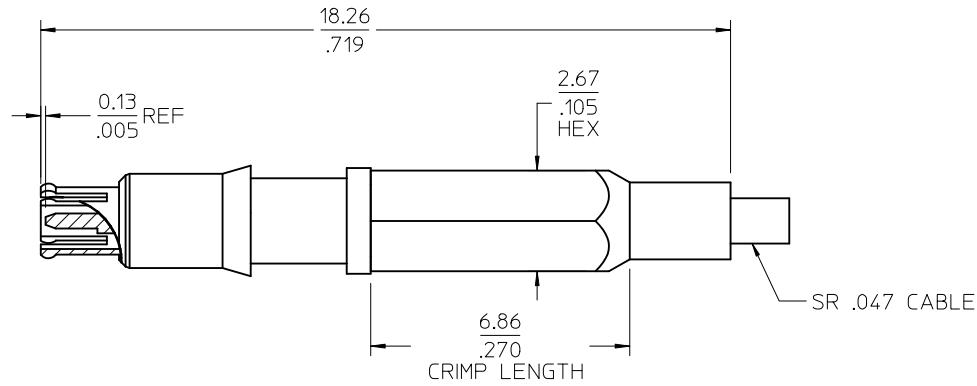


MATERIALS AND FINISHES:

BODY, CONTACT, CRIMP TUBE BRASS
PLATED GOLD

OUTER CONTACT BERYLLIUM COPPER
PLATED GOLD

INSULATOR: TEFLON



RECOMMENDED STRIP DIMENSION

PART # 73413-6260

PS-89675-3600	SSMCX PLUG
SPECIFICATION	DESCRIPTION

CHG: NEW RELEASE	DESCRIPTION
EC NO: URF2010-0387	2010/01/04
DRW:SSHAH	2010/01/04
CHKD:ROBERTSON	2010/01/04
APPR:JIENER	2010/01/04
REV: A	

QUALITY SYMBOLS	GENERAL TOLERANCES (UNLESS SPECIFIED)
▽=0	mm INCH
▽=0	4 PLACES ± .005 ± .005
	3 PLACES ± .005 ± .005
	2 PLACES ± .005 ± .005
	1 PLACE ± .005 ± .005
	ANGULAR ± 2 °
	DRAFT WHERE APPLICABLE MUST REMAIN WITHIN DIMENSIONS

DIMENSION STYLE	SCALE
MM/IN	DESIGN UNITS
DRAWN BY	DATE
SSS	2009/12/30
CHECKED BY	DATE
AZR	2009/12/30
APPROVED BY	DATE
JDW	2009/12/30
MATERIAL NO.	DOCUMENT NO.
734136260	SD-73413-626
SIZE	SHEET NO.
C	1 OF 1

TITLE	THIRD ANGLE PROJECTION
SSMCX PLUG STR SR .047	
50 OHMS GANGED	
EWR-4284 SSMCX-PC	
MOLEX INCORPORATED	