

MATERIALS AND FINISHES

BODY, SLEEVE, WASHER STAINLESS STEEL
PASSIVATED

CENTER CONTACT
PLATED GOLD

OUTER CONTACT BERYLLIUM COPPER
PLATED NICKEL

INSULATOR TEFLON

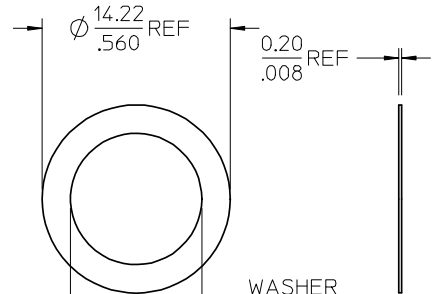
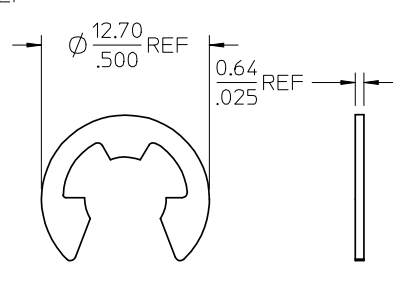
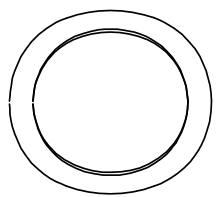
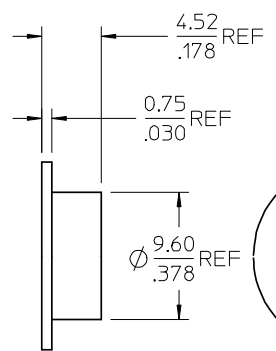
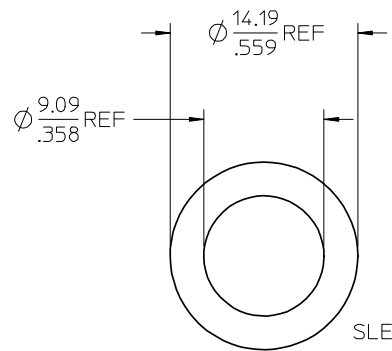
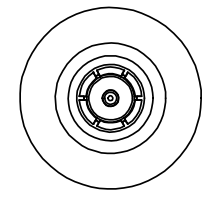
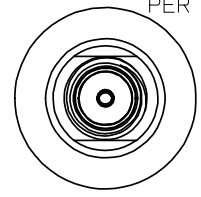
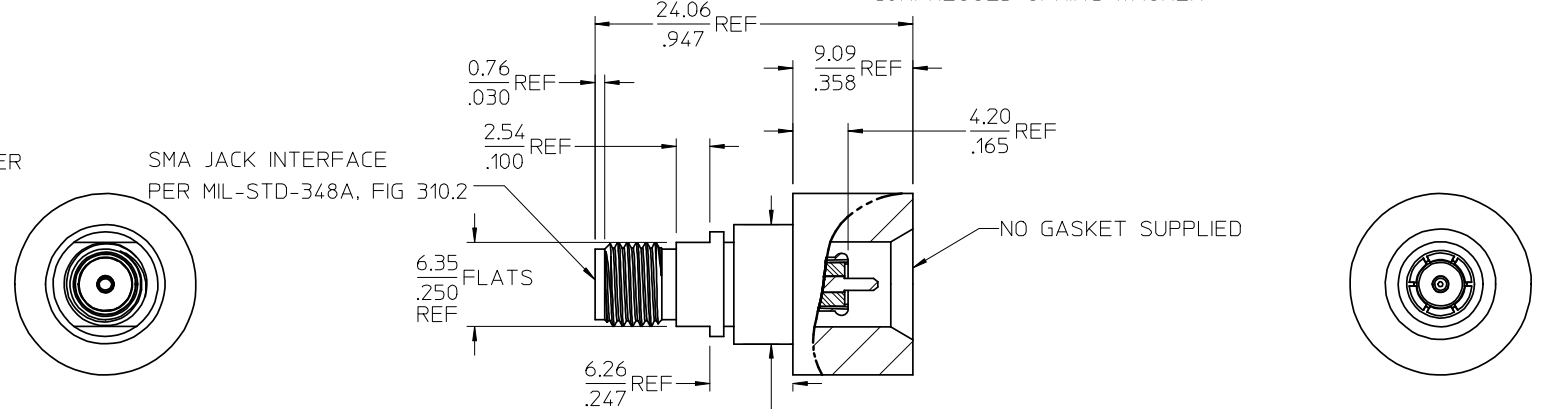
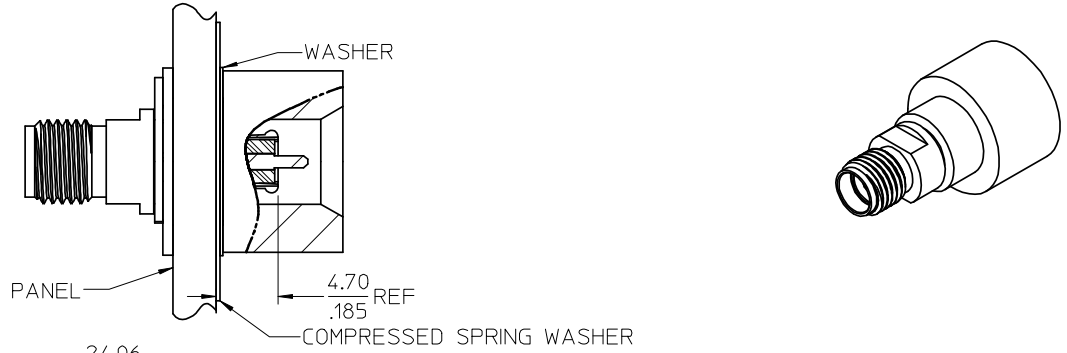
CLIP CARBON SPRING STEEL
PLATED NICKEL

WAVE WASHER BERYLLIUM COPPER
PLATED NICKEL

ELECTRICAL PERFORMANCE:

VSWR: 1.50 MAX TO 18 GHz

SMA JACK INTERFACE
PER MIL-STD-348A, FIG 310.2



SPRING WASHER

CLIP

WASHER

PART # 73251-2130 INCLUDES MOUNTING HARDWARE (PACKAGE BY BAG/1 PCS)

PART # 73251-2131 DOES NOT INCLUDE MOUNTING HARDWARE (PACKAGE BY BAG/1 PCS)

CHG: ADDED PACKAGE EC NO: URF2008-0540 DRWN: IN CHKD: APPR: MHUANG	2008/04/29	QUALITY SYMBOLS
	2008/04/30	▽=0 ▽=0
	DESCRIPTION	
	REV: B1	

GENERAL TOLERANCES (UNLESS SPECIFIED)	
mm	INCH
4 PLACES ± .005	± .0005
3 PLACES ± .002	± .0002
2 PLACES ± .001	± .0001
1 PLACE ± .0005	± .00005
ANGULAR ± 2°	
DRAFT WHERE APPLICABLE MUST REMAIN WITHIN DIMENSIONS	

DIMENSION STYLE	
MM/IN	
DRAWN BY	DATE
TEF	2003/05/16
CHECKED BY	DATE
SSS	2003/05/16
APPROVED BY	DATE
GMH	2003/05/16
MATERIAL NO.	SEE NOTE
SIZE	C

SCALE	DESIGN UNITS	THIRD ANGLE PROJECTION
	METRIC	
TITLE		
SMA JACK TO SMA PLUG MODIFIED ADAPTER 50 OHM SMA-PJ/AD		
MOLEX MOLEX INCORPORATED		
DOCUMENT NO.	SD-73251-213	SHEET NO.
		1 OF 1
THIS DRAWING CONTAINS INFORMATION THAT IS PROPRIETARY TO MOLEX INCORPORATED AND SHOULD NOT BE USED WITHOUT WRITTEN PERMISSION		