

NOTES:

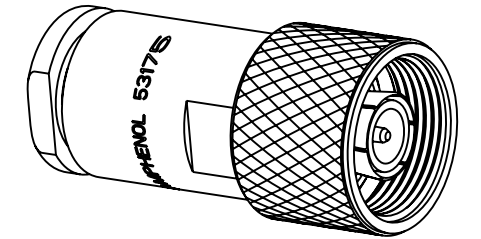
1. MATERIALS AND FINISHES:
 BODIES, COUPLING NUT, CLAMP NUT, BRAID CLAMPS,
 CONTACT OUTER, WASHER, INSERT - BRASS, NICKEL PLATING
 CONTACT - BRASS, SILVER PLATING
 INSULATOR - PTFE, NATURAL
 OUTER INSULATOR - NORYL, BLACK
 GASKETS - SILICONE RUBBER, RED
 SPRING WASHER - BeCu, NICKEL PLATING
 RETAINING RING - BeCu
2. ELECTRICAL:
 A. IMPEDANCE: 50 OHM
3. MECHANICAL:
 A. DURABILITY: 500 CYCLES MIN.
 B. TEMPERATURE RANGE: -40° C TO +85° C
4. PACKAGING:
 A. QUANTITY: SINGLE PACK
 B. MARKING: BAG TO BE MARKED
 "AMPHENOL RF, 53175, AND DATE CODE"
5. FOR CABLE STRIPPING AND CONNECTOR ASSEMBLY INSTRUCTIONS
 REFER TO AMPHENOL SPEC. 349-50097
6. CUSTOMER NOTE: SOLDER CONTACT TO CABLE.

7 SHOWS CABLE ENTRY DIMENSIONS .

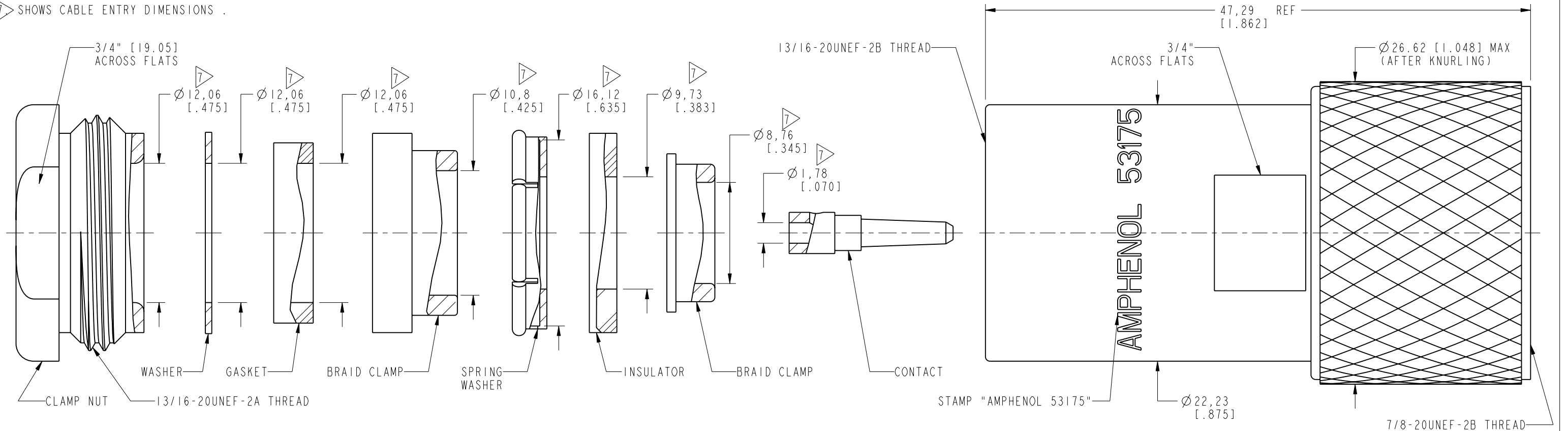
THIRD ANGLE PROJ.

REVISIONS

REV	DESCRIPTION	DATE	ECO	APPR
A	RELEASE TO MFG.	03-May-05		
J	REDRAWN IN PRO-E & SYNCHED DRAWING	22-Apr-15	49786	HH
K	UPDATED NOTE 6, ADDED THREAD CALLOUT	04-Dec-15	50912	CPM



SCALE 1.000



CUSTOMER OUTLINE DRAWING

ALL OTHER SHEETS ARE FOR INTERNAL USE ONLY

UNLESS OTHERWISE SPECIFIED, DIMENSIONS ARE IN INCHES AND TOLERANCES ARE: 2 PLACE DECIMAL 3 PLACE DECIMAL ANGLES $\pm .015$ (0,381 mm) $\pm .005$ (0,127 mm) $\pm 1^\circ$	MATERIAL	DRAWN	DATE	TITLE TRIAXIAL PLUG FOR AMPHENOL 21-529 CABLE		Amphenol RF www.amphenolrf.com	
	SEE NOTES	S. DUAN	04-Dec-15				
NOTICE - These drawings, specifications, or other data (1) are, and remain the property of Amphenol corp. (2) must be returned upon request; and (3) are confidential and not to be disclosed to any person other than those to whom they are given by Amphenol Corp. the furnishing of these drawings, specifications, or other data by Amphenol Corp., or to any other person to anyone for any purpose is not to be regarded by implication or otherwise in any manner licensing, granting rights to permitting such holder or any other person to manufacture, use or sell any product, process or design, patented or otherwise, that may in any way be related to or disclosed by said drawings, specifications, or other data.	REFERENCE EAR #	ENGINEER	DATE	SCALE: 3.0:1.0 SHEET 2 OF 2		DRAWING NO.53175	
	CONFIGURATION LEVEL: In Work	S. HSIEH	04-Nov-13			DWG SIZE B REV K	
	FINISH	APPROVED	DATE				
		S. HSIEH	07-Dec-15				