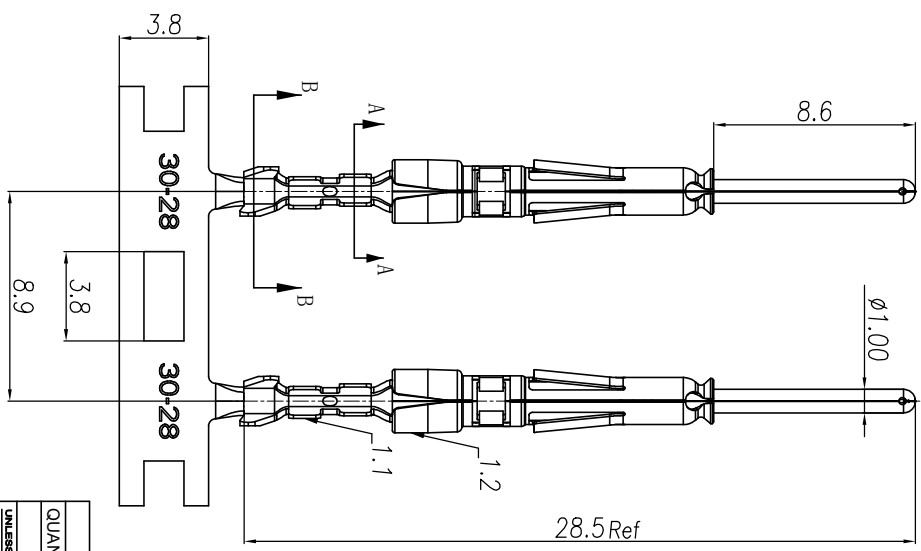
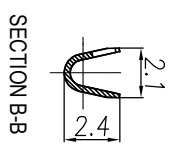
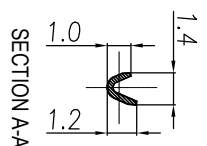


CONTACT ORIENTATION ON ROLL
 NOTES: (UNLESS OTHERWISE SPECIFIED)

1. MATERIAL:
 - 1.1. CONTACT BODY: COPPER ALLOY.
 - 1.2. OUTER SPRING: STAINLESS STEEL.
2. SPECIFICATIONS:
 - 2.1 CURRENT RATING: 5A MAX.
 - 2.2 TERMINATION TYPE: CRIMPING.
 - 2.3 WIRE RANGE: 30-28AWG.
 - 2.4 WIRE INSULATION DIA(MAX): Ø1.8mm.
3. RoHS COMPLIANT.
4. ALL DIMENSIONS ARE FOR REFERENCE USE ONLY.
5. AVAILABLE TOOLS:
 - 5.1 HAND CRIMPER: MFX-3958 (A3)
 - 5.2 CRIMP APPLICATOR: MFX-3957.
 - 5.3 EXTRACTION TOOL: QXRT20.



| REVISIONS | | | | |
|-----------|-----|------------------------|-----------|--------------|
| REV | ECO | DESCRIPTION | DATE | BY APPR |
| A1 | - | RELEASED DRAWING | Nov-8-17 | Rookie Tommy |
| A2 | - | ADD THE QS PART NUMBER | Jan-28-19 | Blink Tommy |
| A3 | - | CHANGE HAND CRIMPER | Nov-8-19 | Flan Tommy |



| P/N | CONTACT PLATING(MATING AREA) |
|-----------|---------------------------------|
| SP28W2T | TIN PLATING OVER NICKEL. |
| SP28W2N | NICKEL PLATING OVER COPPERIZE. |
| SP28W2F | GOLD FLASH PLATING OVER NICKEL. |
| SP28W2G5 | 5µ" GOLD PLATING OVER NICKEL. |
| SP28W2G10 | 10µ" GOLD PLATING OVER NICKEL. |
| SP28W2G15 | 15µ" GOLD PLATING OVER NICKEL. |
| SP28W2G30 | 30µ" GOLD PLATING OVER NICKEL. |

| QUANTITY | PART NUMBER | DESCRIPTION | ITEM |
|--|-------------|--|------|
| | | Amphenol | |
| <p>UNLESS OTHERWISE SPECIFIED</p> <p>1) All dimensions are in millimeters.</p> <p>2) Tolerances are as follows:</p> <p>1 Pt. DEC 0.030 Fractions 1/16"</p> <p>3 Pt. DEC 0.015 Fractions 3/16"</p> <p>3) Note reference = .</p> | | | |
| MATERIAL SPECIFICATIONS | | CUSTOMER: Tommy Nov-8-19 | |
| PROCESS SPECIFICATIONS | | THE DRAWING IS SUBJECT TO SPECIFICATIONS AND PERFORMANCE DATA WHICH MAY BE CHANGED WITHOUT NOTICE. THE MANUFACTURER ASSUMES NO RESPONSIBILITY FOR REPRODUCTION ERRORS. ALL DIMENSIONS ARE IN MILLIMETERS UNLESS OTHERWISE SPECIFIED. | |
| NEXT ASSEMBLY | | SCALE: NONE | |
| | | DRAWN: Rhl Nov-8-19 | |
| | | CHECKED: Mln Nov-8-19 | |
| | | ENGINEER: Tommy | |
| | | APPROVE: Tommy | |
| | | DATE: Nov-8-19 | |
| | | Sine Systems - www.amphenol-sine.com | |
| | | 44724 Montley Drive | |
| | | Clinton Township, MI 48038 | |
| | | ECO-MATE PIN CONTACT, STAMPED, 28-30AWG, SIZE 20 | |
| | | DWG NO: SP28W2XX | |
| | | REVISION: A3 | |
| | | SHEET 1 OF 1 | |