

Customer Information Sheet

DRAWING No.: R6104-02

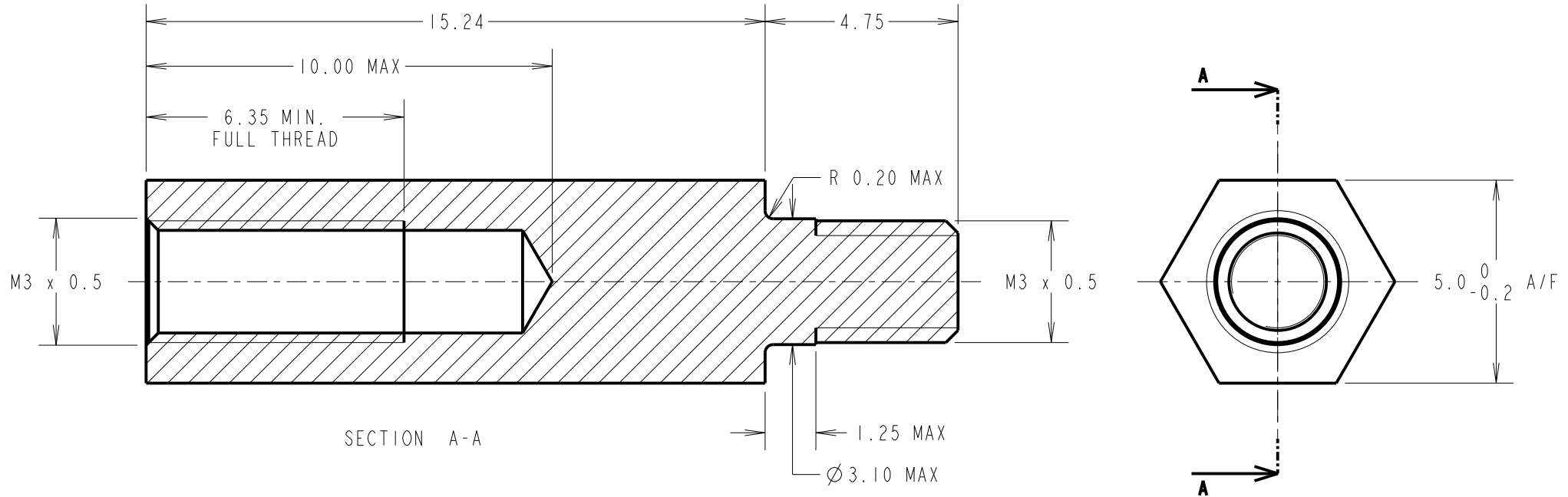
IF IN DOUBT - ASK

©

NOT TO SCALE

THIRD ANGLE PROJECTION

ALL DIMENSIONS IN mm



MGP	5	08.11.22	32023
NAME	ISS.	DATE	CN/CO
APPROVED: MGP			
CHECKED: AB			
DRAWN: J. KEIR			
CUSTOMER REF.:			
ASSEMBLY DRG:			

HARWIN

www.harwin.com
technical@harwin.com

THIS DRAWING AND ANY INFORMATION OR DESCRIPTIVE MATTER SET OUT HEREON ARE CONFIDENTIAL AND COPYRIGHT PROPERTY OF THE HARWIN GROUP AND MUST NOT BE DISCLOSED, LOANED, COPIED OR USED FOR MANUFACTURING, TENDERING OR FOR ANY OTHER PURPOSE WITHOUT THEIR WRITTEN PERMISSION.

TOLERANCES
X. = ±1mm
X.X = ±0.50mm
X.XX = ±0.20mm
X.XXX = ±0.01mm
ANGLES = ±5°
UNLESS STATED

MATERIAL:
BRASS CW614N M
TO BS EN 12164
(CUZn39PB3)
FINISH: NICKEL
S/AREA: mm²

TITLE:
M3 HEXAGONAL
MALE/FEMALE SPACER (PC104)
DRAWING NUMBER:
R6104-02
SHT
2 OF 2