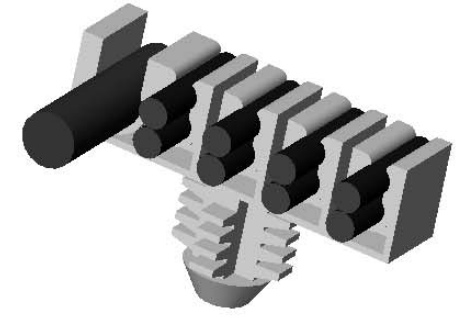
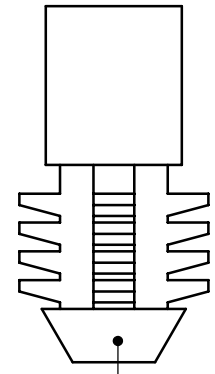
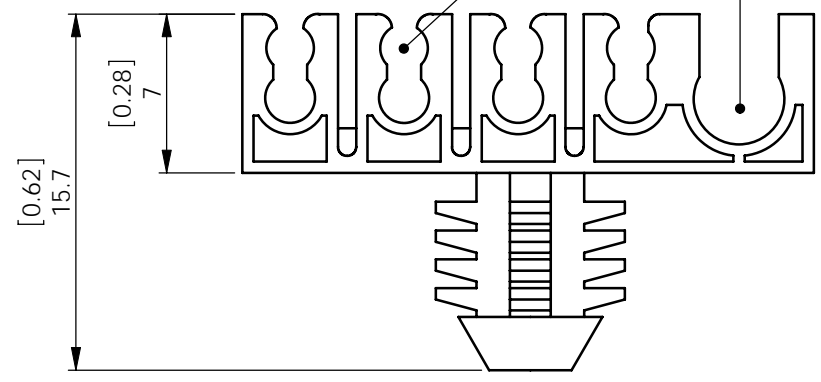


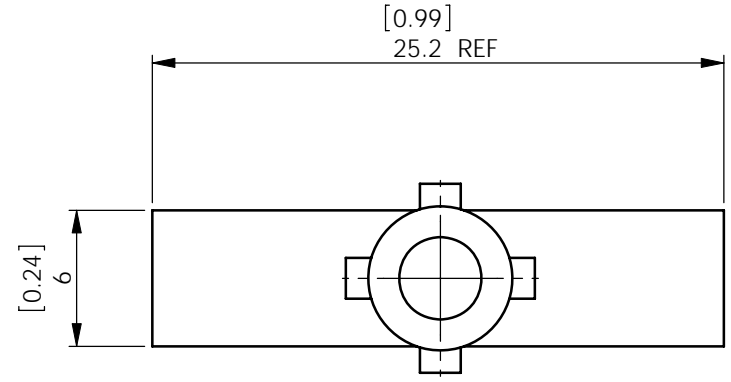
REV.	MODIFICATION.	DATE	DRN
01	PRODUCTION RELEASE	17/01/07	OW
02	ECN2007-205	23/11/07	OW
03	CO2010325	14/08/08	OW
04	CO2010515	16/12/08	SF

TO HOLD A $\varnothing 2.2 \pm 0.1$ [.086 ± .004] CABLE

TO HOLD A $\varnothing 4 \pm 0.1$ [.158 ± .004] CABLE



TO PRESS FIT INTO A $\varnothing 7.92$ [.312] HOLE,
 INTO A 6.35 [.250] MIN THICK PANEL.



ALTERNATE UNITS FOR REFERENCE ONLY

<p>INFORMATION CONTAINED IN THIS DOCUMENT IS CONFIDENTIAL TO RICHCO INTERNATIONAL Co. Ltd. AND MAY NOT BE DISCLOSED OR REPRODUCED IN WHOLE OR PART WITHOUT THEIR WRITTEN CONSENT.</p>					
		<p>METRIC PRIMARY UNITS: mm IMPERIAL SECONDARY UNITS: [inches] GENERAL TOLERANCES ± 0.25 [0.010] UNLESS OTHERWISE STATED 1 DECIMAL PLACE \pm 2 DECIMAL PLACES \pm ANGULAR $\pm 1^\circ$</p>		<p>THIRD ANGLE</p>	
<p>MATERIAL: NYLON 6/6 FR UL94 V0 (RMS-19)</p>			<p>COLOR: NATURAL</p>		
<p>DESCRIPTION: OPTICAL FIBRE BRACKET</p>			<p>PART No: OFB-BH-9-19</p>		
<p>DRG No: 07-006</p>		<p>NPR No: 2006-038</p>		<p>Mass:(g) 0.7</p>	<p>SHEET SIZE A4</p>
<p>DRN OW</p>	<p>DATE 27/02/06</p>	<p>CHKD TC</p>	<p>DATE 27/02/06</p>	<p>SCALE NTS</p>	<p>SHEET No. 1 OF 1</p>