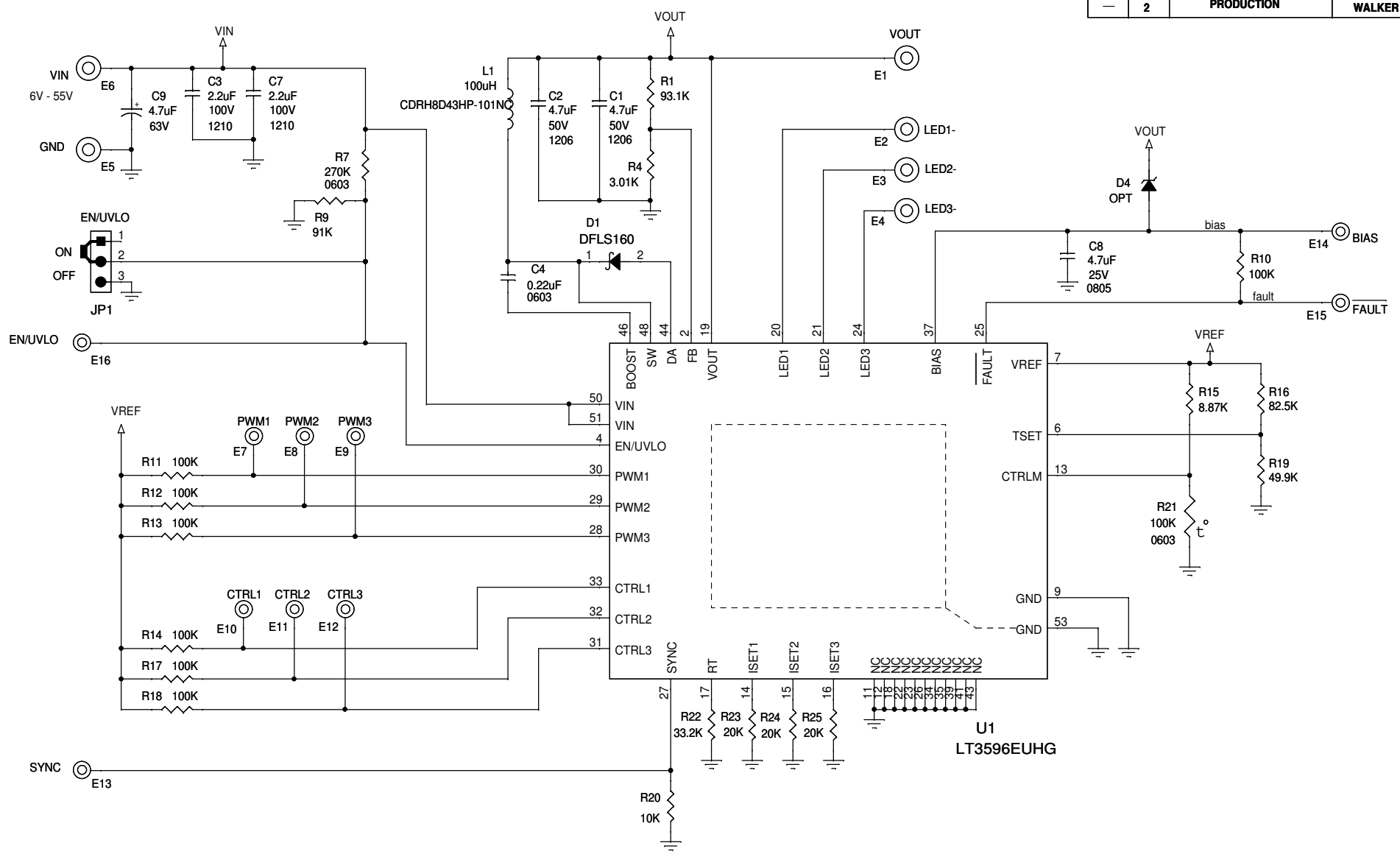


REVISION HISTORY				
ECO	REV	DESCRIPTION	APPROVED	DATE
—	2	PRODUCTION	WALKER B.	05-12-10



**NOTE: UNLESS OTHERWISE SPECIFIED**  
 1. ALL RESISTORS ARE 0402

<p align="center"><b>CUSTOMER NOTICE</b></p> <p>LINEAR TECHNOLOGY HAS MADE A BEST EFFORT TO DESIGN A CIRCUIT THAT MEETS CUSTOMER-SUPPLIED SPECIFICATIONS; HOWEVER, IT REMAINS THE CUSTOMER'S RESPONSIBILITY TO VERIFY PROPER AND RELIABLE OPERATION IN THE ACTUAL APPLICATION. COMPONENT SUBSTITUTION AND PRINTED CIRCUIT BOARD LAYOUT MAY SIGNIFICANTLY AFFECT CIRCUIT PERFORMANCE OR RELIABILITY. CONTACT LINEAR TECHNOLOGY APPLICATIONS ENGINEERING FOR ASSISTANCE.</p>		<p align="center"><b>APPROVALS</b></p>		<p>1630 McCarthy Blvd.          Milpitas, CA 95035          Phone: (408)432-1900 www.linear.com          Fax: (408)434-0507          LTC Confidential-For Customer Use Only</p>	
		PCB DES.	AK		TITLE: SCHEMATIC
THIS CIRCUIT IS PROPRIETARY TO LINEAR TECHNOLOGY AND SUPPLIED FOR USE WITH LINEAR TECHNOLOGY PARTS.		APP ENG.	WALKER B.	<p align="center"><b>60V STEP-DOWN 3-CHANNEL LED DRIVER</b></p>	
		SCALE = NONE		SIZE N/A IC NO. <b>LT3596EUHG</b> <b>DEMO CIRCUIT 1542A</b>	REV. 2
		DATE: Friday, June 25, 2010		SHEET 1 OF 1	