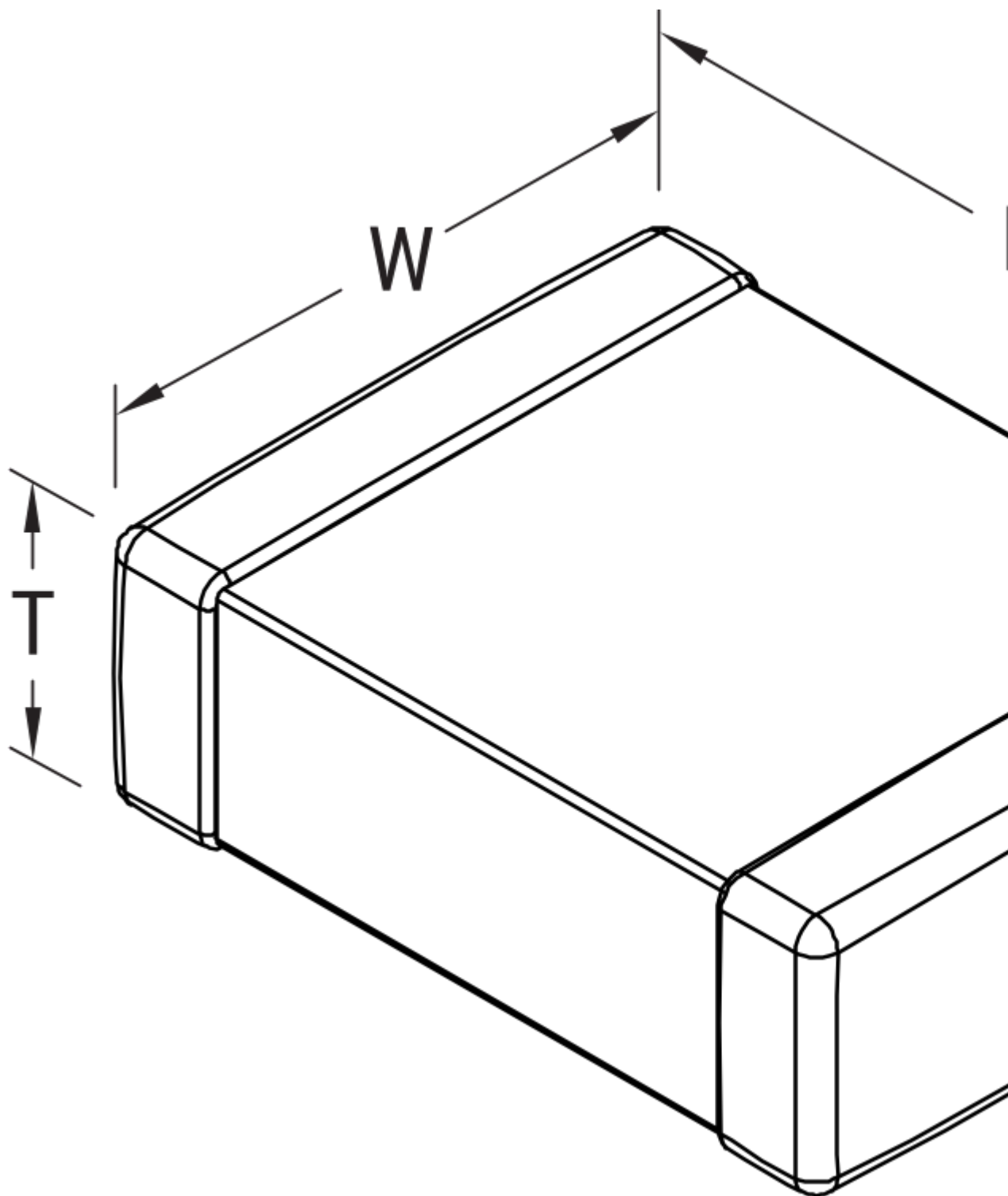


# C1812X101JDGACAUTO

SMD Auto C0G HV Flex, Ceramic, 100 pF, 5%, 1000 VDC, C0G, SMD, MLCC, FT-CAP, Ultra-Stable, Automotive Grade, 1812



Click [here](#) for the 3D model.

## Dimensions

Chip Size 1812

L 4.5mm +/-0.4mm

W 3.2mm +/-0.3mm

T 1.25mm +/-0.15mm

### Dimensions

B 0.7mm +/-0.35mm

### Packaging Specifications

Packaging T&R, 180mm, Plastic Tape

Packaging Quantity 1000

### General Information

Series SMD Auto COG HV Flex  
Style SMD Chip  
Description SMD, MLCC, FT-CAP, Ultra-Stable, Automotive Grade  
Features FT-CAP, Ultra-Stable, Automotive Grade  
RoHS Yes  
Termination Flexible Termination  
Marking No  
Qualifications AEC-Q200  
AEC-Q200 Yes  
Component Weight 67 mg  
Shelf Life 78 Weeks  
MSL 1

### Specifications

Capacitance 100 pF  
Measurement Condition 1 MHz 1.0Vrms  
Capacitance Tolerance 5%  
Voltage DC 1000 VDC  
Dielectric Withstanding Voltage 1200 VDC  
Temperature Range -55/+125°C  
Temperature Coefficient COG  
Capacitance Change with Reference to +25°C and 0 VDC Applied (TCC) 30 ppm/C, 1MHz  
1.0Vrms  
Dissipation Factor 0.1% 1 MHz 1.0Vrms  
Aging Rate 0% Loss/Decade Hour  
Insulation Resistance 100 GOhms

Statements of suitability for certain applications are based on our knowledge of typical operating conditions for such applications, but are not intended to constitute - and we specifically disclaim - any warranty concerning suitability for a specific customer application or use. This Information is intended for use only by customers who have the requisite experience and capability to determine the correct products for their application. Any technical advice inferred from this Information or otherwise provided by us with reference to the use of our products is given gratis, and we assume no obligation or liability for the advice given or results obtained.

Generated 5/18/2023 - aa6ba0d0-90d3-473f-9d02-004e183452d0

© 2006 - 2023 KEMET

Generated 5/18/2023 - aa6ba0d0-90d3-473f-9d02-004e183452d0

© 2006 - 2023 KEMET