

MATERIALS & SPECIFICATIONS

INSULATOR:

THERMOPLASTIC PER MIL-M-24519, TYPE GLCP-30F OR GST-40F NATURAL

CONTACT:

BERYLLIUM COPPER PER ASTM B194, C17200. GOLD PLATED PER ASTM B488, (HARD GOLD) TYPE II CODE C CLASS 1.27

TERMINATION:

SOLDER COATED PER J-STD-006 OR PLATED PER AMS-P-81728

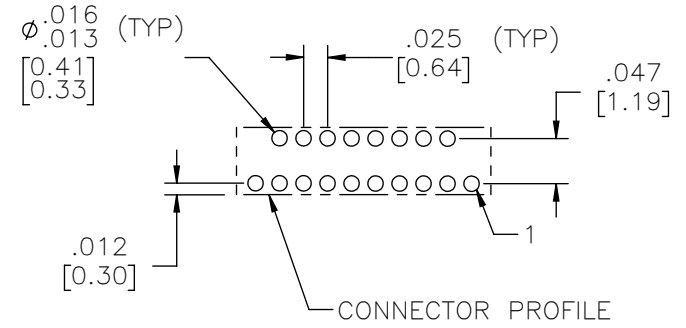
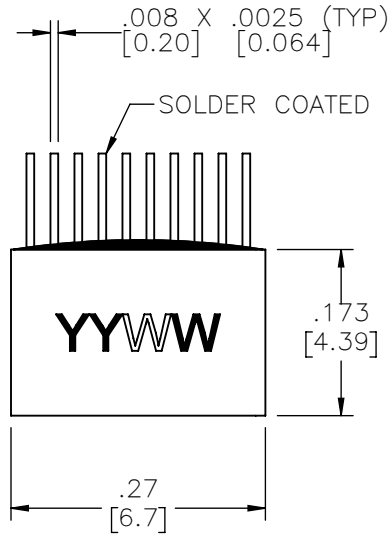
CURRENT CAPACITY:

1 AMP MAX PER MIL-DTL-32139

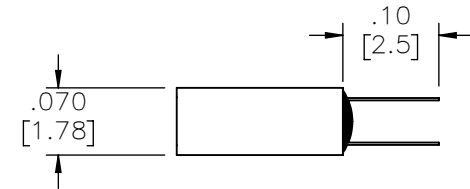
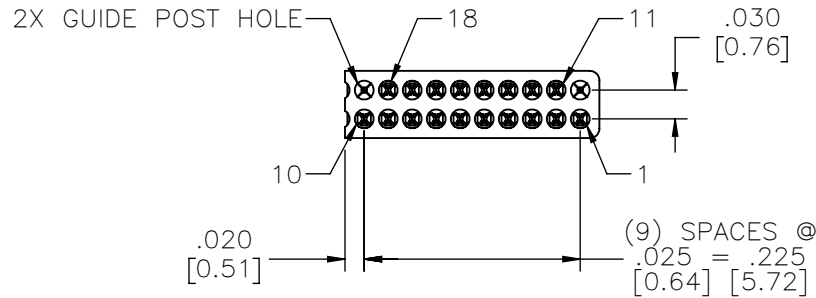
CONTACT RESISTANCE:

71 MILLIOHMS (71mV) MAX @ 1.0 AMPS PER MIL-DTL-32139

PART NO.	A79038-001	REV	ECO	DATE	APP
		C	104570	06-21-18	HV



SUGGESTED HOLE LAYOUT



NOTE:

DIMENSIONS IN [ ] ARE IN MILLIMETERS UNLESS OTHERWISE NOTED AND ARE FOR REFERENCE ONLY

MP	THIRD ANGLE
CD	-TOLERANCES-
	UNLESS OTHERWISE NOTED
	DIMENSIONS IN INCHES
2	PL DEC ± .01
3	PL DEC ± .005
4	PL DEC ± .0005
	ANGLES ± 1°

THIS DRAWING CONTAINS CONFIDENTIAL AND PROPRIETARY INFORMATION WHICH IS THE PROPERTY OF OMNETICS CONNECTOR CORP. THIS DOCUMENT MAY NOT, IN WHOLE OR IN PART, BE DUPLICATED, OR DISCLOSED FOR ANY PURPOSE, WITHOUT WRITTEN PERMISSION FROM OMNETICS CONNECTOR CORP.	
DFTM. TLM	DATE 04-08-09
CHK'D.	DATE
APP'D.	DATE
TITLE: (18) PIN MALE NANO DUAL ROW CONNECTOR W/GUIDE POST HOLES	

**OMNETICS**  
**CONNECTOR CORPORATION**  
 7260 COMMERCE CIRCLE EAST  
 MINNEAPOLIS, MN 55432  
 WWW.OMNETICS.COM

CAGE CODE 61873	
DWG NO. A79038-001	
SHEET 1 OF 1	REV C
SCALE: 5:1	