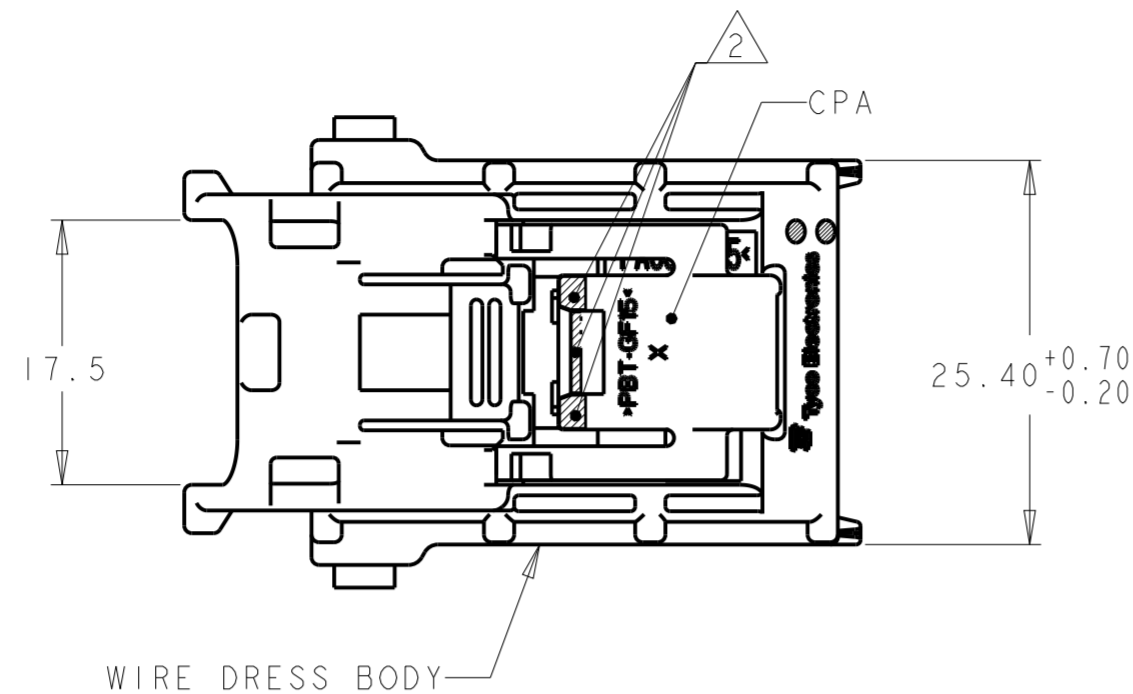
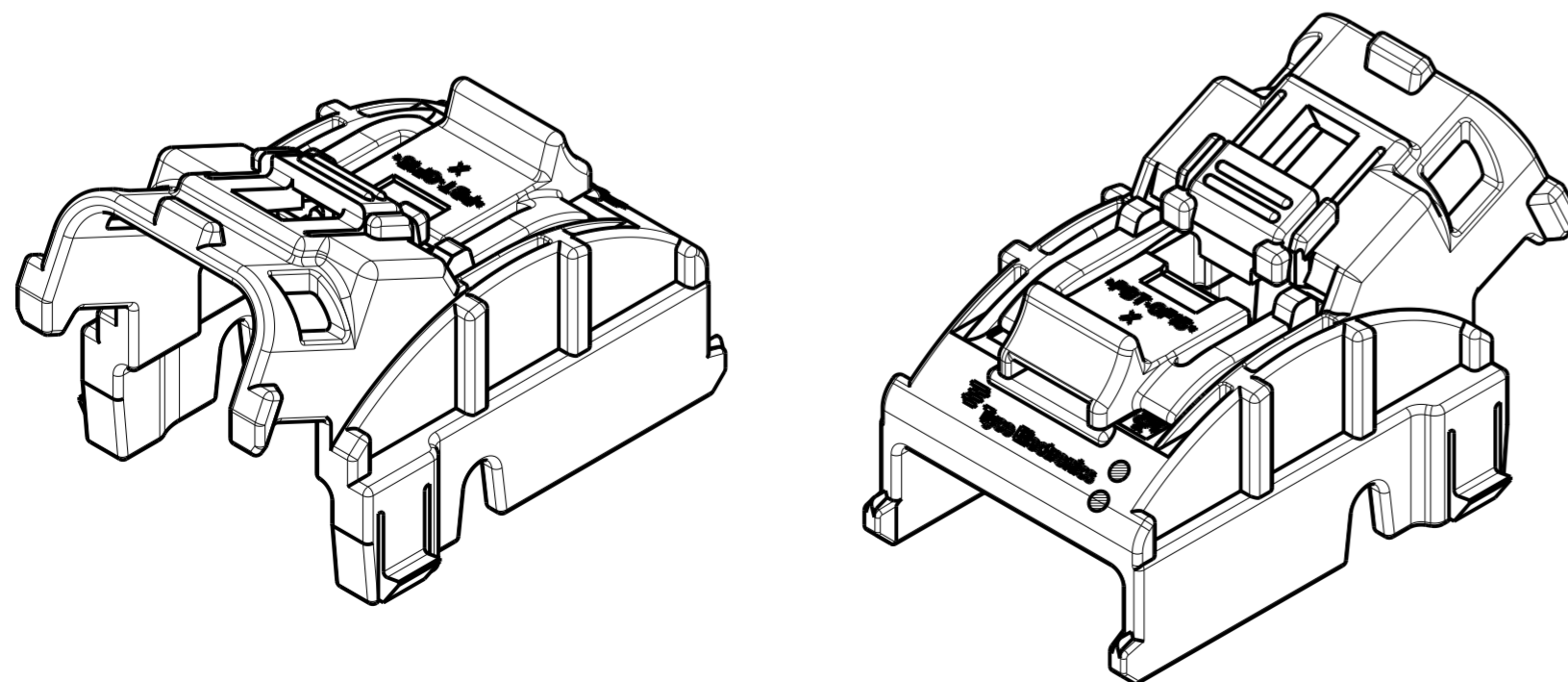
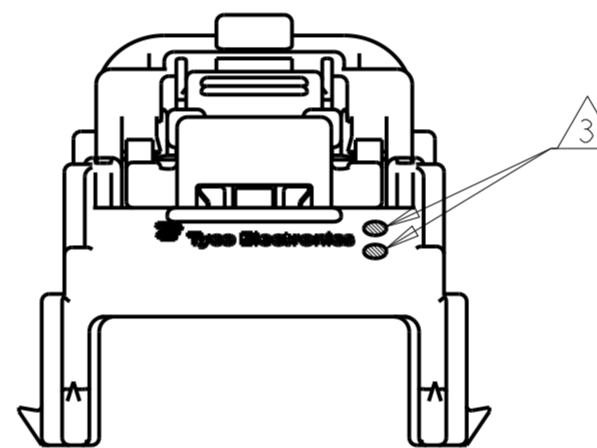
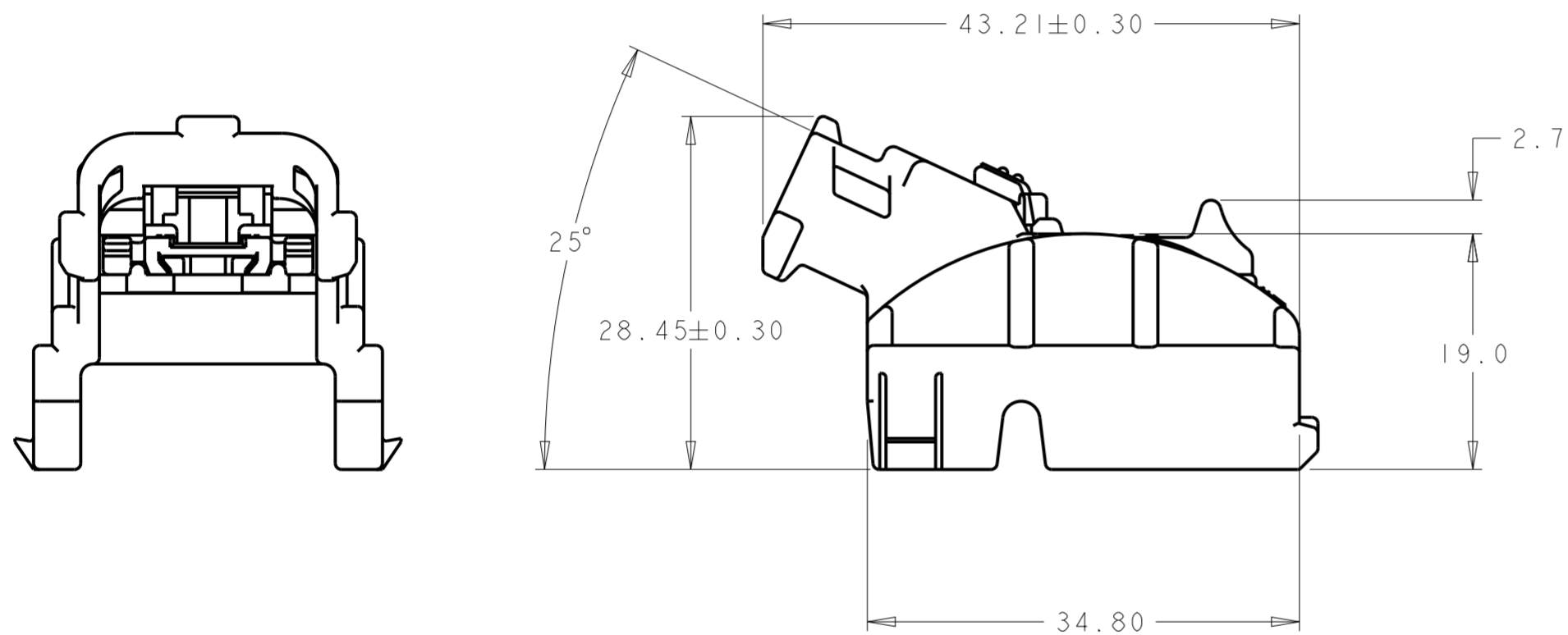


THIS DRAWING IS UNPUBLISHED. RELEASED FOR PUBLICATION 20
 © COPYRIGHT 20 BY - ALL RIGHTS RESERVED.

REVISIONS					
P	LTR	DESCRIPTION	DATE	DWN	APVD
C		REVISED PER ECO-12-010406	04JUN2012	DLD	WEM
CI		REVISED PER ECO-14-004807	28MAR2014	DLD	WEM



- 1 MATERIAL:
 WIRE DRESS BODY - NYLON 6/6, 35% GLASS-FILLED, BLACK
 CPA - PBT 15% GLASS FILLED, RED
- 2 COLOR STRIPE APPLIED IN THESE AREAS. WAVY OR IRREGULAR SURFACES AND EDGES ALLOWED.
- 3 APPROXIMATE 1.5mm OVAL RAISED 0.2mm TO IDENTIFY COVERS COMPLYING TO REVISION "C" LOCATED IN EITHER AREA OF COMPANY LOGO AS SHOWN.
- 4 PACKAGING QUANTITY - 250 PIECES PER BOX
- 5 PACKAGING QUANTITY - 500 PIECES PER BOX



5	13503707	WHITE 2	5-776793-2
5	19151251	NONE	5-776793-1
4	13503707	WHITE 2	776793-2
4	19151251	NONE	776793-1
	GM P/N	COLOR MARKING	PART NUMBER

THIS DRAWING IS A CONTROLLED DOCUMENT.		DWN RUSTY WORTHINGTON 31OCT2005	TE Connectivity	
DIMENSIONS: mm		CHK JEREMY PATTERSON 31OCT2005		
TOLERANCES UNLESS OTHERWISE SPECIFIED:		APVD JEREMY PATTERSON 31OCT2005	NAME ASSEMBLY COVER, WIRE DRESS, 24 POSITION PLUG, SDM	
0 PLC ± 1 PLC ±0.3 2 PLC ±0.20 3 PLC ± 4 PLC ± ANGLES ±2° FINISH -		PRODUCT SPEC -	SIZE A2	CAGE CODE b0779
MATERIAL 1		APPLICATION SPEC -	DRAWING NO C-776793	RESTRICTED TO -
		WEIGHT -	SCALE 2:1	SHEET OF
		CUSTOMER DRAWING	REV C1	