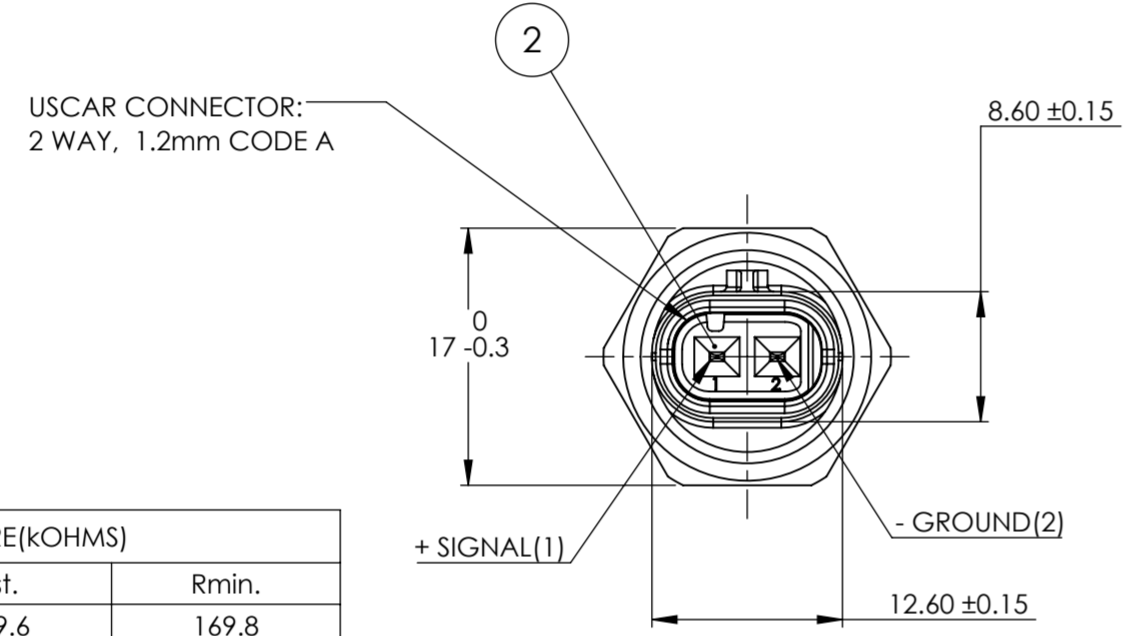
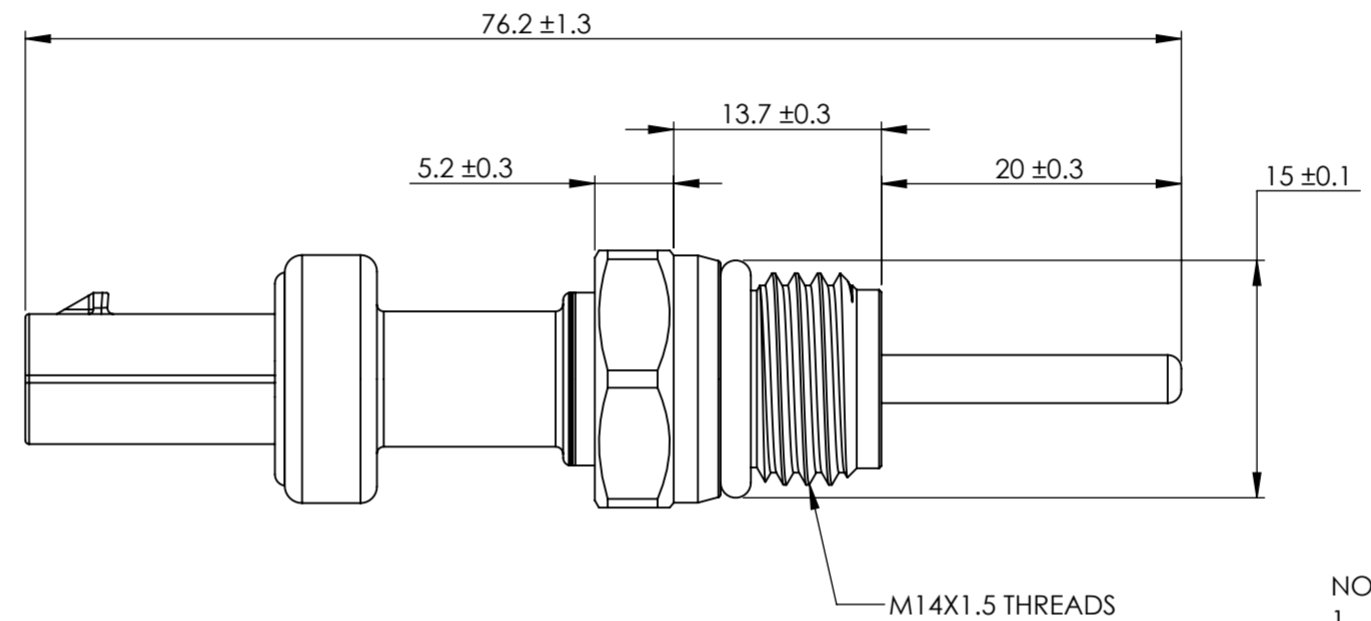
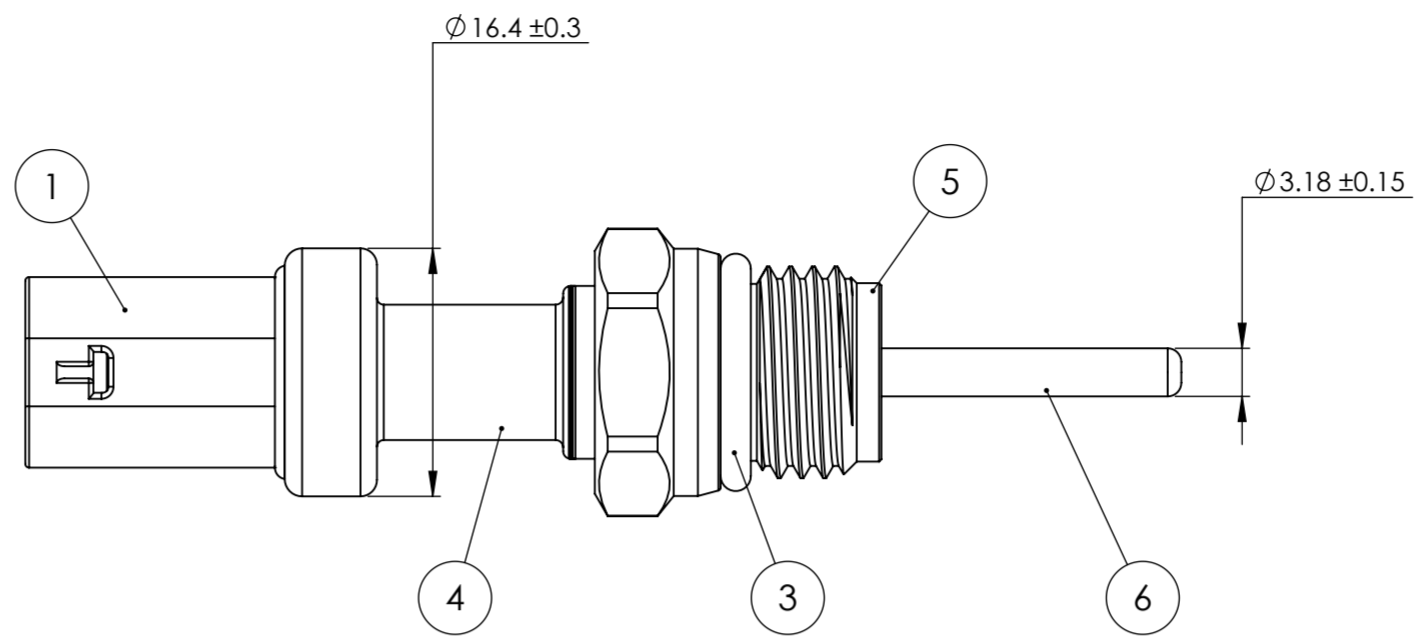
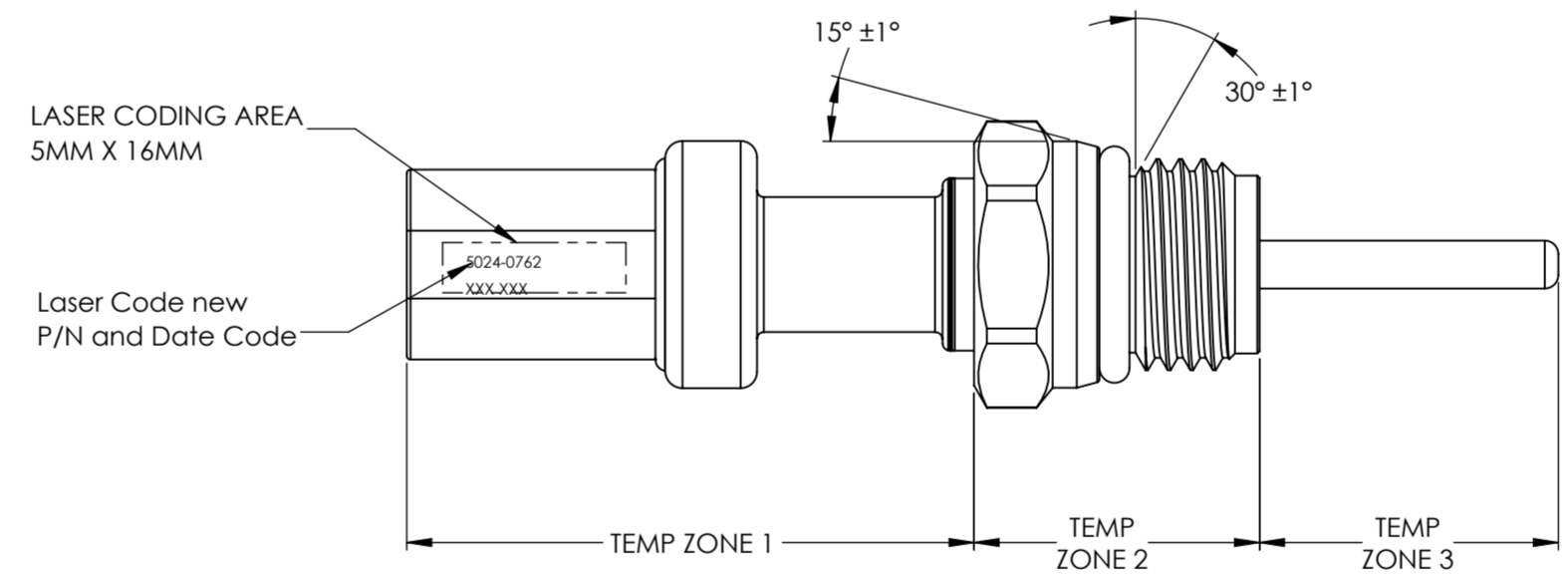


QTY	ITEM	PART NAME	MATERIAL
1	1	CONNECTOR HOUSING	PPS-GF40
2	2	TERMINAL	304L Stainless Steel
1	3	O-RING	FKM
1	4	CUP	316L Stainless Steel
1	5	HEXPORT	304L Stainless Steel
1	6	PROBE	316L Stainless Steel

ZONE	REV.	REVISION DESCRIPTION	ECN NO.	DATE
B2	B	IN ITEM NO. TABLE, "TERMINAL" MATERIAL WAS "FKM"; IN ITEM NO. TABLE, "O-RING" MATERIAL WAS "304L STAINLESS STEEL"; ADDED NOTE 3; ADDED CALLOUT "M14X1.5 THREADS"; JJ	ECO-278526	14-JAN-2019



RESISTANCE VS. TEMPERATURE(KOHMS)			
TEMP. (°C)	Rmax.	Rst.	Rmin.
-40	260.7	209.6	169.8
-30	147.1	120.4	99.2
-20	86.16	71.67	59.98
-10	52.22	44.09	37.43
0	32.65	27.94	24.03
10	20.99	18.19	15.83
20	13.85	12.14	10.68
30	9.369	8.285	7.323
40	6.515	5.775	5.116
50	4.619	4.103	3.643
60	3.335	2.968	2.640
70	2.448	2.182	1.945
80	1.825	1.629	1.454
90	1.380	1.234	1.103
100	1.058	0.947	0.848
110	0.8210	0.7360	0.6595
120	0.6447	0.5786	0.5190
130	0.5119	0.4599	0.4129
140	0.4107	0.3693	0.3319
150	0.3327	0.2994	0.2693
160	0.2242	0.2449	0.2205
170	0.2242	0.2021	0.1821
180	0.1864	0.1681	0.1516
190	0.1562	0.1409	0.1271
200	0.1318	0.1190	0.1074
210	0.11198	0.10117	0.09137
220	0.09578	0.08658	0.07823
230	0.08244	0.07455	0.06740
240	0.07137	0.06458	0.05841
250	0.06215	0.05625	0.05090
260	0.05440	0.04926	0.04460
270	0.04787	0.04337	0.03927
280	0.04233	0.03836	0.03476
290	0.03761	0.03409	0.03090
300	0.03356	0.03044	0.02744



TEMP ZONE	MAX APPLICATION TEMP ALLOWED
1	150 °C
2	200 °C
3	300 °C

NOTE:  
 1. USERS ARE SOLELY RESPONSIBLE FOR DESIGN, APPLICATION, AND FUNCTION OF THE END USE PRODUCT. USERS MUST EVALUATE THE SUITABILITY OF THESE DEVICES TO THEIR APPLICATION.  
 2. DIMENSIONS SHOWN ARE FOR REFERENCE ONLY.

INSTALLATION TORQUE: 15Nm±2.25Nm  
 ELECTRICAL POWER APPLIED TO SENSOR MUST NOT EXCEED 10 mW  
 RESISTANCE VALUES GIVEN APPLY ONLY WHEN ELECTRICAL POWER APPLIED TO THERMISTOR DOES NOT EXCEED 4.0mW  
 SENSOR WEIGHT: 33g  
 OPERATING TEMPERATURE RANGE : 40 °C TO 250 °C

3. THREAD ACCORDING TO DIN 13-6 AND THREAD TOLERANCES ACCORDING TO DIN 13-21/ISO 965-1.

MAJOR  $\phi$ : MAX. 13.968mm; MIN. 13.732mm.  
 PITCH  $\phi$ : MAX. 12.994mm; MIN. 12.854mm.  
 MINOR  $\phi$ : MAX. 12.128mm; MIN. 11.930mm.

FOR REFERENCE ONLY, CHECK LATEST REVISION BEFORE USE. PARTS MADE TO THIS PRINT MUST CONFORM TO E9898 REV. E.		529 PLEASANT STREET P.O. BOX 2964 ATTLEBORO, MA 02703	
DRAWN A. LIU DATE 02-NOV-2018	SENSATA TECHNOLOGIES PROPRIETARY AND CONFIDENTIAL. NEITHER THIS PRINT NOR THE INFORMATION CONTAINED HEREON IS TO BE USED AGAINST THE INTERESTS OF SENSATA TECHNOLOGIES OR AGAINST THE INTERESTS OF ANY OF ITS AFFILIATED COMPANIES OR WHOLLY OWNED SUBSIDIARIES.	TITLE <b>ENVELOPE DRAWING</b>	
ENGINEER B. CURRIER DATE 02-NOV-2018	INTERPRET DIMENSIONING AND TOLERANCING PER ASME Y14.5-2009. UNLESS OTHERWISE SPECIFIED DIMENSIONS ARE IN MILLIMETERS. TOLERANCES	DECIMALS X.X ±0.2 X.XX ±0.1	ANGLES ±0.1
APPROVED	DO NOT SCALE DRAWING	THIRD ANGLE PROJECTION	SIZE DWG NO. <b>A2 B5024R0762</b>
DATE	SCALE 1:1	SOLIDWORKS	REV. <b>B</b>
DATE	SHEET 1 OF 1		PROJECT: 1