

4

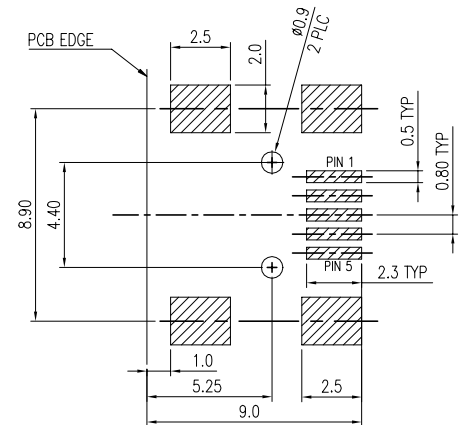
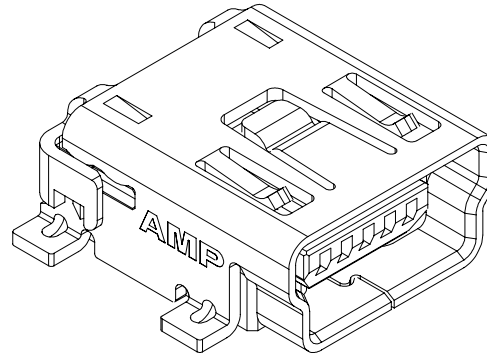
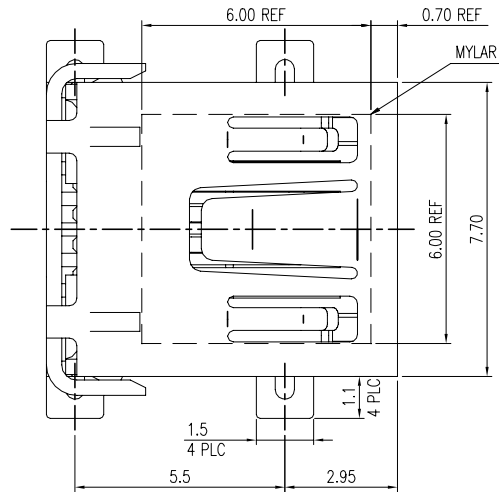
3

2

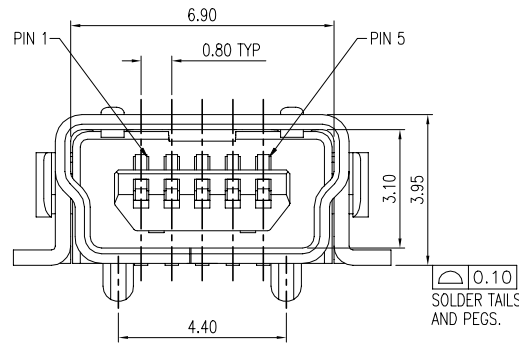
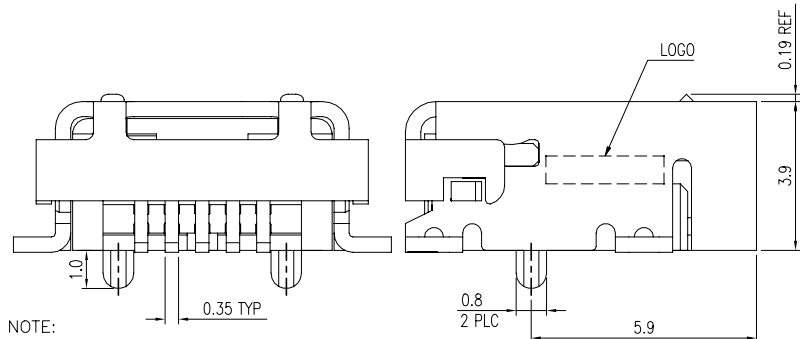
1

THIS DRAWING IS UNPUBLISHED. RELEASED FOR PUBLICATION
 © COPYRIGHT BY TYCO ELECTRONICS CORPORATION. ALL RIGHTS RESERVED.

LOC	DIST	REVISIONS			
P	LTR	DESCRIPTION	DATE	DWN	APVD
DW	---	REVISED AS PER ECN-22-176158	28APR2022	I.T	S.Z



RECOMMENDED PCB LAYOUT (MOUNTING SIDE)
 THICKNESS 1.57mm (TOLERANCE: ±0.05)



- NOTE:
- MATERIAL:
 HOUSING: PA9T WITH 33% GF, UL 94V-0, COLOR: SEE TABLE.
 CONTACTS: PHOSPHOR BRONZE.
 SHELL: SUS304, THICKNESS=0.40MM.
 MYLAR: POLYAMIDE FILM.
 - FINISH:
 CONTACTS: GOLD FLASH OVER 0.762µm [30µ*] MIN. PALLADIUM-NICKEL OR ALTERNATIVE 0.762µm[30u"] MIN. GOLD PLATED ON CONTACT AREA,
 △ 2.54µm [100µ*] MIN. MATTE-TIN ON SOLDER TAIL,
 △ 2.54µm [100µ*] MIN. MATTE-TIN ON SOLDER TAIL,
 △ 3.05µm [120µ*] MIN. MATTE-TIN ON SOLDER TAIL,
 WITH ENTIRE CONTACT UNDERPLATED 1.27µm [50µ*] MIN. NICKEL.
 SHELL: △ & △ 1.27µm [50µ*] MIN. NICKEL PLATED OVERALL.
 △ 0.76µm [30µ*] MIN. MATTE-TIN OVER 1.27µm [50µ*] MIN. NICKEL.
 - NO DATECODE ON PRODUCT SURFACE.
 - REFLOW SOLDER CAPABLE TO 260°C PER TE TEST SPEC. 109-201, CONDITION B.

△	BLACK	W/O	W/O	TAPE REEL	W/	3-1734035-2
△	BLACK	W/	W/O	TAPE REEL	W/	2-1734035-4
△	BLACK	W/O	W/	TAPE REEL	W/	2-1734035-3
△	BLACK	W/O	N/A	TRAY	W/	2-1734035-2
△	NATURAL	W/	W/O	TAPE REEL	W/	1734035-5
△	BLACK	W/	W/O	TAPE REEL	W/	1734035-4
△	BLACK	W/O	W/	TAPE REEL	W/	1734035-3
△	BLACK	W/O	W/O	TAPE REEL	W/	1734035-2
△	BLACK	W/O	N/A	TRAY	W/	1734035-1
PLATED	HOUSING COLOR	MYLAR	LONG CARRIER & COVER TAPE	PACKAGE	POST	PART NUMBER

THIS DRAWING IS A CONTROLLED DOCUMENT.		DWN O. HUI	21DEC2007			
DIMENSIONS: MM		CHK S. HOU	21DEC2007			
TOLERANCES UNLESS OTHERWISE SPECIFIED:		APVD W. KODAMA	21DEC2007	NAME		
0 PLC ± 0.38 1 PLC ± 0.25 2 PLC ± 0.13 3 PLC ± 0.05 4 PLC ± ANGLES ± 3°		PRODUCT SPEC 108-57062		MINI USB, R/A, SMT, B TYPE		
MATERIAL		QUALIFICATION TEST REPORT 501-57070		SIZE	CAGE CODE	DRAWING NO
SEE NOTE		WEIGHT		A3	00779	C=1734035
FINISH		CUSTOMER DRAWING		SCALE	SHEET	REV
SEE NOTE				---	1 of 4	G

4

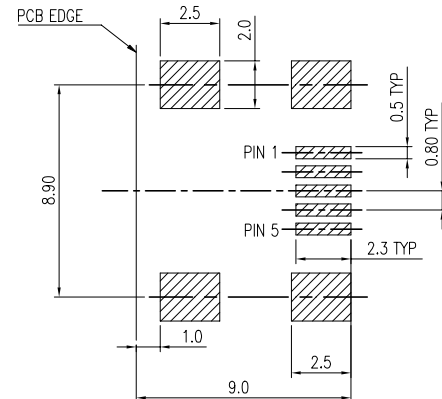
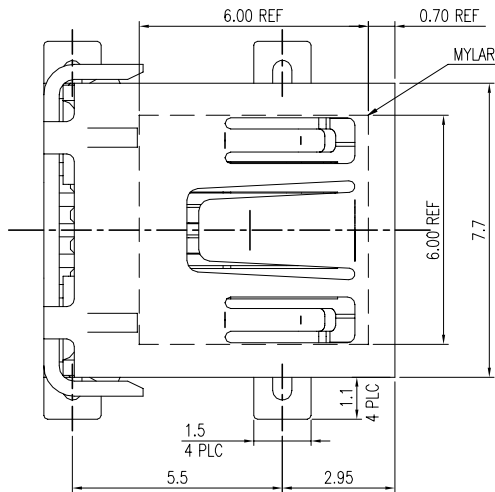
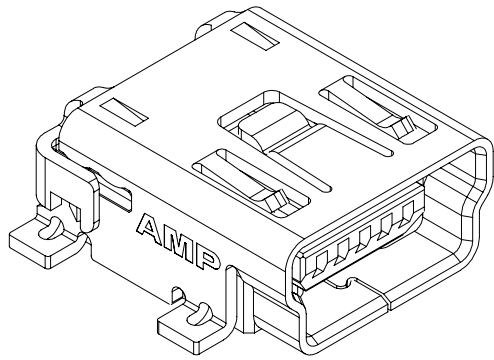
3

2

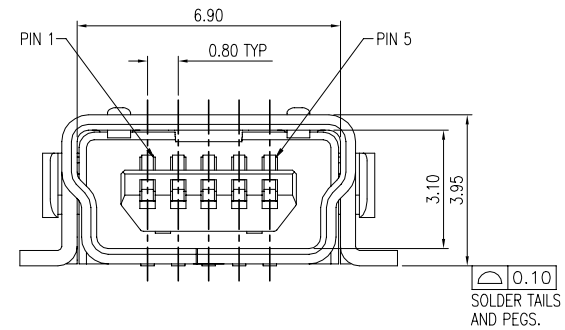
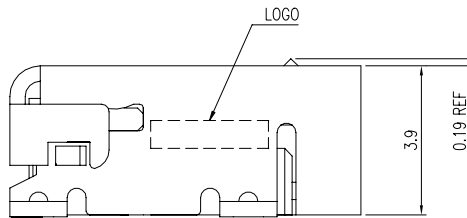
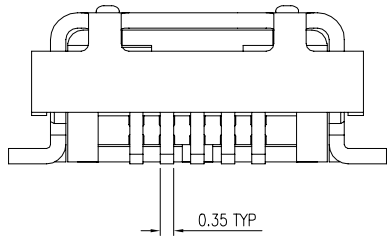
1

THIS DRAWING IS UNPUBLISHED. RELEASED FOR PUBLICATION
 © COPYRIGHT - BY TYCO ELECTRONICS CORPORATION. ALL RIGHTS RESERVED.

LOC	DIST	REVISIONS			
P	LTR	DESCRIPTION	DATE	DWN	APVD
		SEE SHEET 1.			



RECOMMENDED PCB LAYOUT (MOUNTING SIDE)
 THICKNESS 1.57mm (TOLERANCE:±0.05)



NOTE:

- MATERIAL:
 HOUSING: PA9T WITH 33% GF, UL 94V-0, BLACK COLOR.
 CONTACTS: PHOSPHOR BRONZE.
 SHELL: SUS304, THICKNESS=0.40MM.
 MYLAR: POLYAMIDE FILM.
- FINISH:
 CONTACTS: GOLD FLASH OVER 0.762µm [30µ*] MIN. PALLADIUM-NICKEL OR ALTERNATIVE 0.762µm[30u*] MIN. GOLD PLATED ON CONTACT AREA, 2.54µm [100µ*] MIN. MATTE-TIN ON SOLDER TAIL, WITH ENTIRE CONTACT UNDERPLATED 1.27µm [50µ*] MIN. NICKEL.
 SHELL: 1.27µm [50µ*] MIN. NICKEL PLATED OVERALL.
- NO DATECODE ON PRODUCT SURFACE.
- REFLOW SOLDER CAPABLE TO 260°C PER TE TEST SPEC. 109-201, CONDITION B.

W/	W/O	TAPE REEL	W/O	4-1734035-2
	W/	TAPE REEL	W/O	1-1734035-3
W/O	W/O	TAPE REEL	W/O	1-1734035-2
	N/A	TRAY	W/O	1-1734035-1
MYLAR	LONG CARRIER & COVER TAPE	PACKAGE	POST	PART NUMBER

DIMENSIONS: MM		TOLERANCES UNLESS OTHERWISE SPECIFIED:		MATERIAL		FINISH	
0 PLC	± 0.38	0 PLC	± 0.38	SEE NOTE	SEE NOTE		
1 PLC	± 0.25	1 PLC	± 0.25				
2 PLC	± 0.13	2 PLC	± 0.13				
3 PLC	± 0.05	3 PLC	± 0.05				
4 PLC	± -	4 PLC	± -				
ANGLES	± 3°	ANGLES	± 3°				

THIS DRAWING IS A CONTROLLED DOCUMENT.				DWN	
				CHK	
				APVD	
				PRODUCT SPEC	
				APPLICATION SPEC	
				WEIGHT	
CUSTOMER DRAWING				SCALE	
				SHEET 2 of 4	
				REV G	

NAME			
MINI USB, R/A, SMT, B TYPE			
SIZE	CAGE CODE	DRAWING NO	RESTRICTED TO
A3	00779	C=1734035	

4

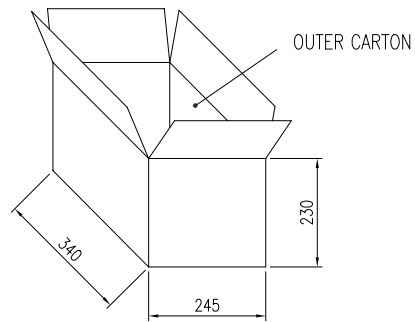
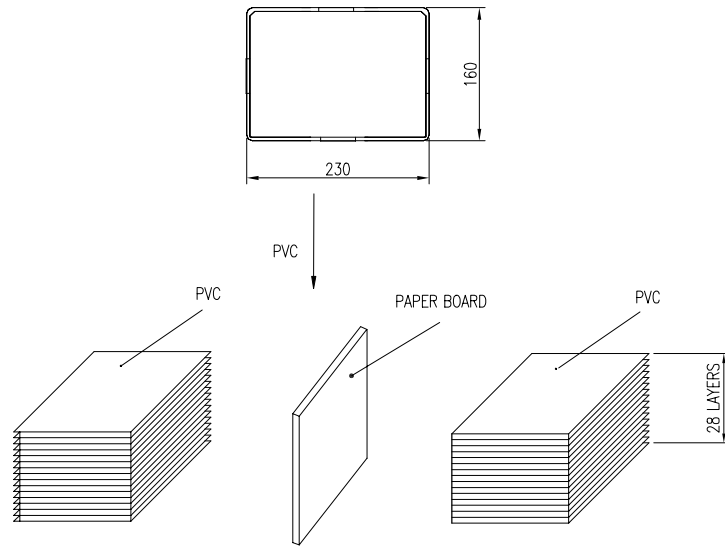
3

2

1

THIS DRAWING IS UNPUBLISHED. RELEASED FOR PUBLICATION
 © COPYRIGHT - BY TYCO ELECTRONICS CORPORATION. ALL RIGHTS RESERVED.

REVISIONS							
LOC	DIST	P	LTR	DESCRIPTION	DATE	DWN	APVD
DW	-			SEE SHEET 1.			



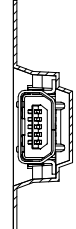
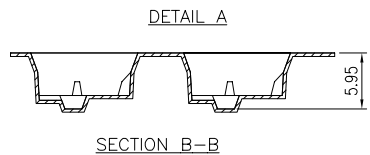
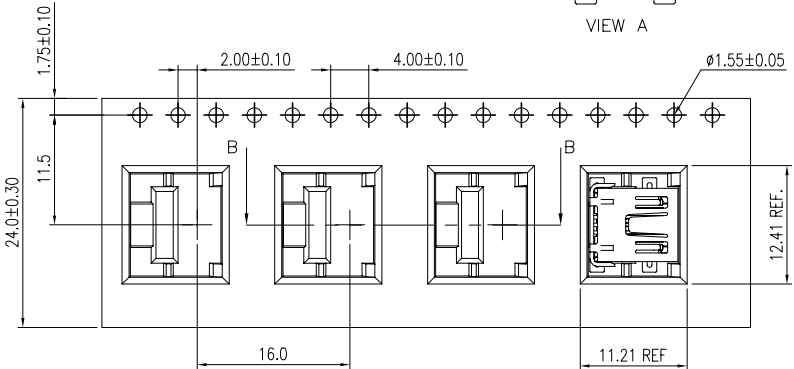
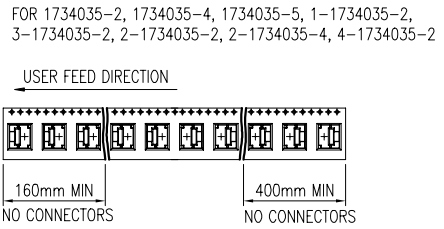
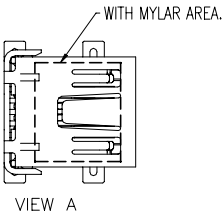
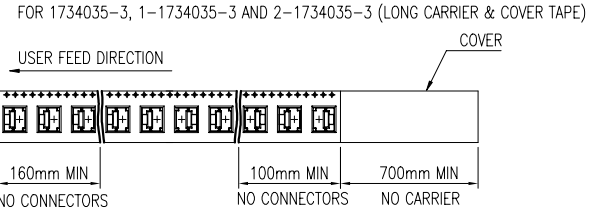
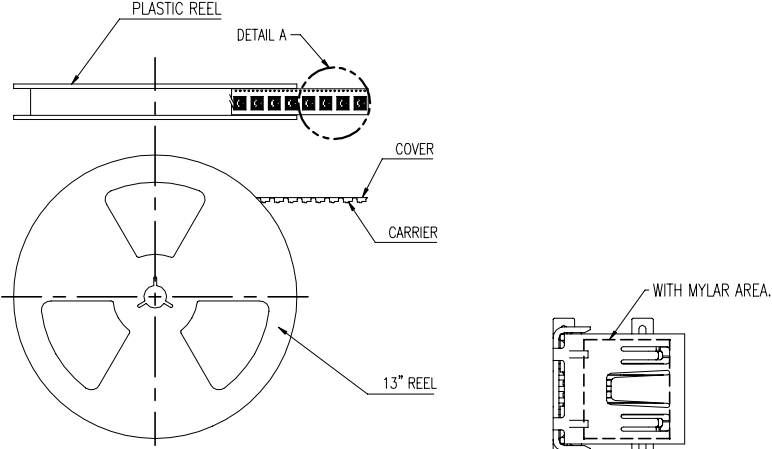
8.25 Kg	5.55 Kg	150	56	8400 PCS	2-1734035-1
					1-1734035-1
					1734035-1
GROSS WEIGHT	NET WEIGHT	PCS/TRAY	TRAYS /CARTON	QUANTITY	PART NUMBER

DIMENSIONS: MM		TOLERANCES UNLESS OTHERWISE SPECIFIED:		TE Connectivity	
0 PLC	± -	APVD		NAME	
1 PLC	± -	PRODUCT SPEC		MINI USB, R/A, SMT, B TYPE	
2 PLC	± -	APPLICATION SPEC		SIZE	CAGE CODE
3 PLC	± -	WEIGHT	-	A3	00779
4 PLC	± -	CUSTOMER DRAWING		DRAWING NO	C=1734035
ANGLES	± -	SCALE	-	RESTRICTED TO	
MATERIAL	FINISH	SHEET	3 OF 4	REV	G

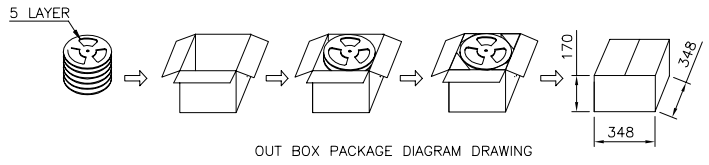
4
 THIS DRAWING IS UNPUBLISHED. RELEASED FOR PUBLICATION
 © COPYRIGHT BY TYCO ELECTRONICS CORPORATION. ALL RIGHTS RESERVED.

2 1

LOC		DIST		REVISIONS			
P	LTR	DESCRIPTION		DATE	DWN	APVD	
		SEE SHEET 1.					



4.95 Kg	2.31 Kg	700	5	3500	W/	W/O	4-1734035-2
					W/O	W/O	3-1734035-2
					W/	W/O	2-1734035-4
					W/O	W/	2-1734035-3
					W/O	W/O	2-1734035-2
					W/O	W/	1-1734035-3
					W/O	W/O	1-1734035-2
					W/	W/O	1734035-5
					W/	W/O	1734035-4
					W/O	W/	1734035-3
W/O	W/O	1734035-2					
GROSS WEIGHT	NET WEIGHT	PCS/REER	REERS / CARTON	QUANTITY	MYLAR	LONG CARRIER & COVER TAPE	PART NUMBER



THIS DRAWING IS A CONTROLLED DOCUMENT.

DIMENSIONS: MM	TOLERANCES UNLESS OTHERWISE SPECIFIED:	DWN	CHK	TE Connectivity MINI USB, R/A, SMT, B TYPE			
0 PLC ± - 1 PLC ± - 2 PLC ± - 3 PLC ± - 4 PLC ± - ANGLES ± -	FINISH	APVD	NAME				
MATERIAL		PRODUCT SPEC	SIZE	CAGE CODE	DRAWING NO	RESTRICTED TO	
		APPLICATION SPEC	A3	00779	C=1734035		
		WEIGHT	CUSTOMER DRAWING		SCALE	SHEET 4 of 4	REV G