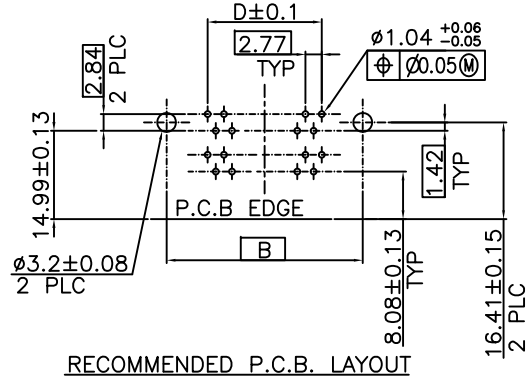
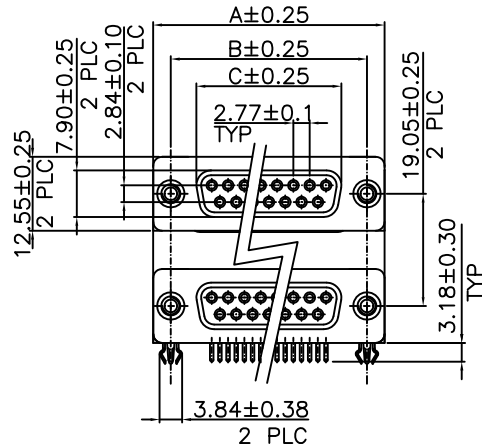
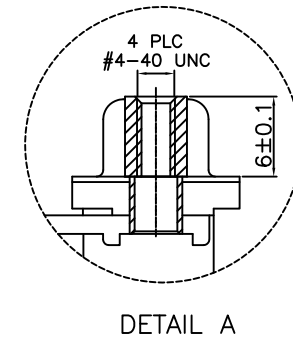
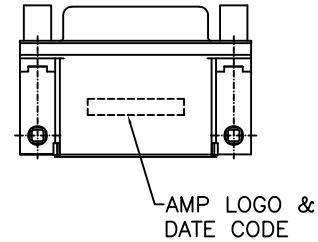
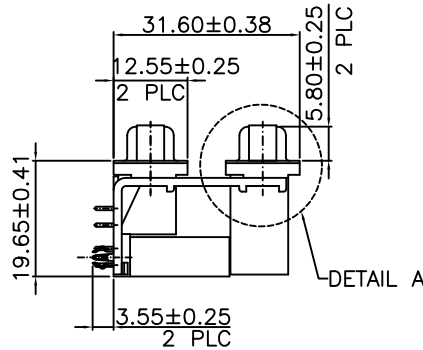
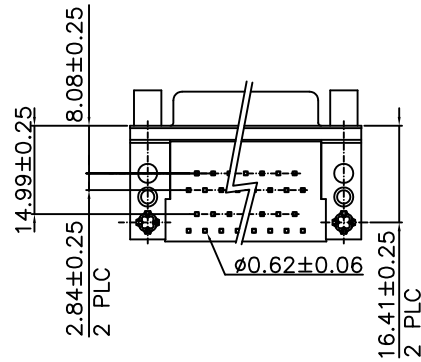


LOC		DIST		REVISIONS			
P	LTR	DESCRIPTION	DATE	DWN	APVD		
B1		REVISED (ECR-11-007799)	11APR11	JC	WK		



- 1 NOTES:
- MATERIAL:
 HOUSING: THERMOPLASTIC(SEE TABLE), UL94V-0;
 COLOR: SEE TABLE.
 CONTACTS: COPPER ALLOY
 BOARDLOCK: COPPER ALLOY
 BRACKET: ZINC ALLOY
 SHELL: STEEL
 - FINISH:
 CONTACT:
 GOLD PLATING (SEE TABLE) ON CONTACT AREA.
 2.54um [100u"] MIN. MATTE TIN PLATING ON SOLDER TAIL AREA,
 1.27um [50u"] MIN. NICKEL UNDERPLATING OVERALL.
 BOARDLOCK:
 1.52um [60u"] MIN. MATTE TIN PLATING OVERALL.
 1.27um [50u"] MIN. NICKEL UNDERPLATING OVERALL.
 SHELL:
 60u" MIN. BRIGHT TIN PLATING OVERALL.
 - WAVE SOLDER CAPABLE TO 265°C
 PER TE SPEC. 109-202, CONDITION B.
 - REFLOW SOLDER CAPABLE TO 260°C
 PER TE SPEC. 109-201, CONDITION B.
 - CHOOSE PRE-FIX FROM LEFT TABLE AND SUFFIX FROM RIGHT TABLE FOR DESIRED PART NUMBER COMBINATION.



PART NO.	GOLD PLATING	HSG COLOR	37-37 NOT AVAILABLE
X-1734286-6	30 u"	PC99/ACTUAL COLOR	37-37 NOT AVAILABLE
X-1734286-5	10 u"	PC99/ACTUAL COLOR	
X-1734286-4	GOLD FLASH	PC99/ACTUAL COLOR	
X-1734286-3	30 u"	BLACK	
X-1734286-2	10 u"	BLACK	
X-1734286-1	GOLD FLASH	BLACK	
PART NO.	GOLD PLATING	HSG COLOR	

PART NO.	PINS	A	B	C	D	HOUSING
5-1734286-X	15-15	39.30	33.30	24.60	19.39	NY9T Δ
3-1734286-X	37-37	69.34	63.50	54.80	49.86	PBT Δ
2-1734286-X	25-25	53.10	47.04	38.30	33.24	
1-1734286-X	15-15	39.30	33.30	24.60	19.39	
1734286-X	9-9	30.95	24.99	16.20	11.08	
PART NO.	PINS	A	B	C	D	HOUSING

THIS DRAWING IS A CONTROLLED DOCUMENT.

DWN S. CHIEN 18MAY2009	TE Connectivity
CHK S. CHIEN 18MAY2009	
APVD W. KODAMA 18MAY2009	NAME
PRODUCT SPEC 108-57517	D-SUB STACKED RCPT. OVER RCPT. R/A TYPE, WITH #4-40 SCREWLOCK
APPLICATION SPEC 501-57590	SIZE CAGE CODE DRAWING NO
WEIGHT - GRAMS	A3 00779 C=1734286
CUSTOMER DRAWING	RESTRICTED TO
SCALE - SHEET 1 OF 2	REV B1

4

3

2

1

THIS DRAWING IS UNPUBLISHED.

RELEASED FOR PUBLICATION

AUG ,2006.

© COPYRIGHT 2009

BY TYCO ELECTRONICS CORPORATION.

ALL RIGHTS RESERVED.

LOC
DW

DIST

REVISIONS

P	LTR	DESCRIPTION	DATE	DWN	APVD
		SEE SHEET 1.			

NOTE :

1. DIMENSION :

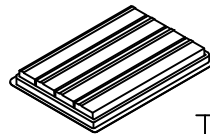
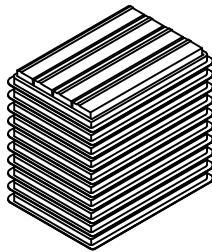
TRAY : L=315, W=215, H=30

CARTON : L=335, W=230, H=280

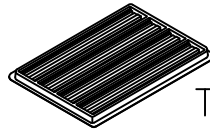
2. TRAY : PS or PET

3. QUANTITY:

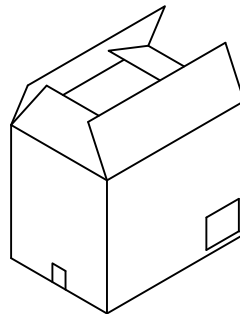
PIN NO.	9-9	15-15	25-25	37-37
PCS/TRAY	36	28	20	16
TRAY/CARTON	10	10	10	10
PCS/CARTON	360	280	200	160
NET WEIGHT	10.33	10.0	9.85	10.57
GROSS WEIGHT	11.75	11.25	11.28	11.73



TOP COVER



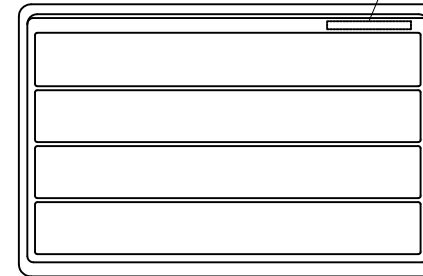
TRAY



CARTON

LABEL

LABEL



TRAY LAYOUT

THIS DRAWING IS A CONTROLLED DOCUMENT.

DIMENSIONS:
MM



TOLERANCES UNLESS OTHERWISE SPECIFIED:

0 PLC	± -
1 PLC	± -
2 PLC	± -
3 PLC	± -
4 PLC	± -
ANGLES	± -

MATERIAL

FINISH

DWN	
CHK	
APVD	
PRODUCT SPEC	
APPLICATION SPEC	
WEIGHT	
CUSTOMER DRAWING	

STE TE Connectivity

NAME
D-SUB STACKED RCPT. OVER RCPT. R/A TYPE,
WITH #4-40 SCREWLOCK

SIZE
A3

CAGE CODE
00779

DRAWING NO
C=1734286

RESTRICTED TO

SCALE

SHEET

2 of 2

REV B1