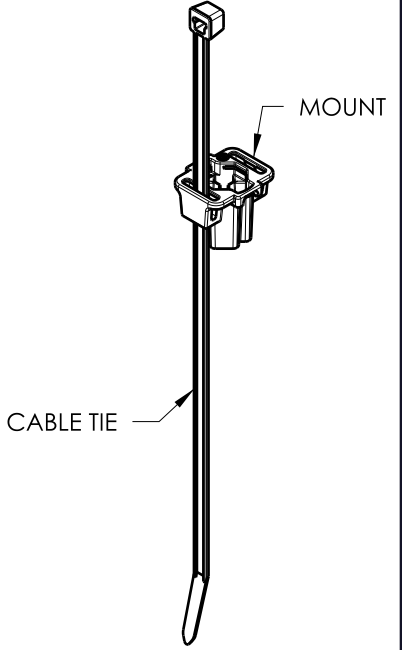
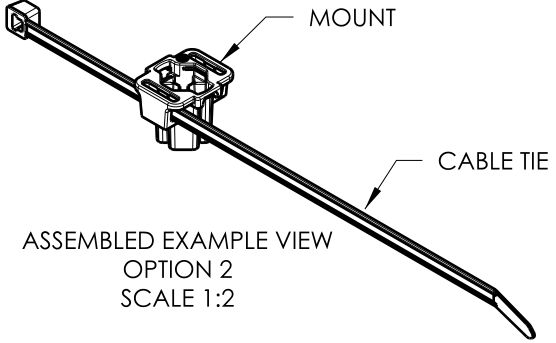
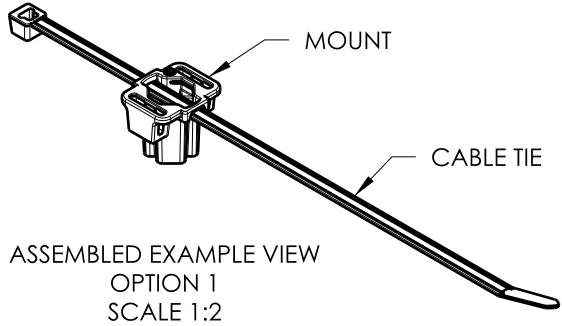
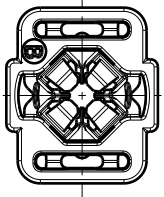


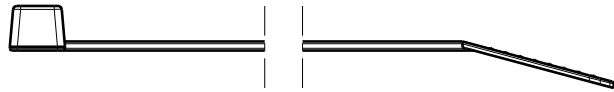
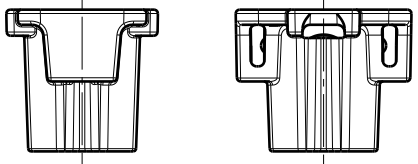
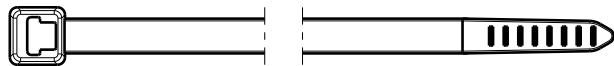
Revision Level			Revision Record	Changed	Date	Approved	Date
Drawing	State	Part					
00.0	Design Release	B	SEE ECN# 013494	KVH	9/14/16	EJH	9/14/16



MOUNT
DELIVERY CONDITION: UNASSEMBLED SET



CABLE TIE
DELIVERY CONDITION: UNASSEMBLED SET



UNS NUMBER	TYPE	BUNDLE RANGE	CABLE TIES			MOUNT		
			DRAWING	MATERIAL	COLOR	DRAWING	MATERIAL	COLOR
156-01668	T50R1SBS5-6U-SET	4 TO 50	CT2050007CST	PA46	BROWN	14-0970-051-CSU	PA46	GRAY

Material
SEE CHART
COLOR: SEE CHART

Units millimeters
Tolerance defined on each dimension

The copyright of this drawing is reserved by HellermannTyton. It is issued on condition that it is not reproduced, copied or disclosed to a third party, either wholly or in part, without the consent of HellermannTyton.

Drawn KVH 9/14/16
Approved EJH 9/14/16

HellermannTyton

North America
Email: corp@htamericas.com
Web: www.hellermann.tyton.com

Article/Type-No SEE CHART
Title M5, T5 AND M6 THREAD STUD MOUNT WITH T50R CABLE TIE
Drawing-No PRODUCTION : Phase
14-0970-141-CSU

Scale 1:1
Project Number 14-0970
Format AH
Sheet 1/1