

# Housing - HC-B 06-SMLD-52/O1M20 - 1460275

Please be informed that the data shown in this PDF Document is generated from our Online Catalog. Please find the complete data in the user's documentation. Our General Terms of Use for Downloads are valid (<http://phoenixcontact.com/download>)



Box mounting base, with single locking latch, height: 74 mm, with glands, 2 x M20, with protective cover



## Key Commercial Data

|              |               |
|--------------|---------------|
| Packing unit | 10 pc         |
| GTIN         |               |
| GTIN         | 4046356696593 |

## Technical data

### Dimensions

|        |       |
|--------|-------|
| Height | 52 mm |
| Width  | 57 mm |
| Length | 84 mm |

### Ambient conditions

|                                      |                                     |
|--------------------------------------|-------------------------------------|
| Degree of protection of housing (IP) | IP65 (When plugged in)              |
|                                      | IP54 (with closed protective cover) |
| Ambient temperature (operation)      | -40 °C ... 125 °C                   |

### General

|                              |   |
|------------------------------|---|
| Note                         | For contact inserts HC-B6, BB10, DD24, M Tall housings for extra large wiring space |
| Size                         | B6  |
| Housing type                 | Box mounting bases  |
| Locking type                 | with single locking latch   |
| No. of cable outlets         | 2   |
| Cable outlet                 | left (view of the opened single locking latch)                                      |
| Screw connection             | none  |
| Type of the screw connection | 1x M20  |

# Housing - HC-B 06-SMLD-52/O1M20 - 1460275

## Technical data

### General

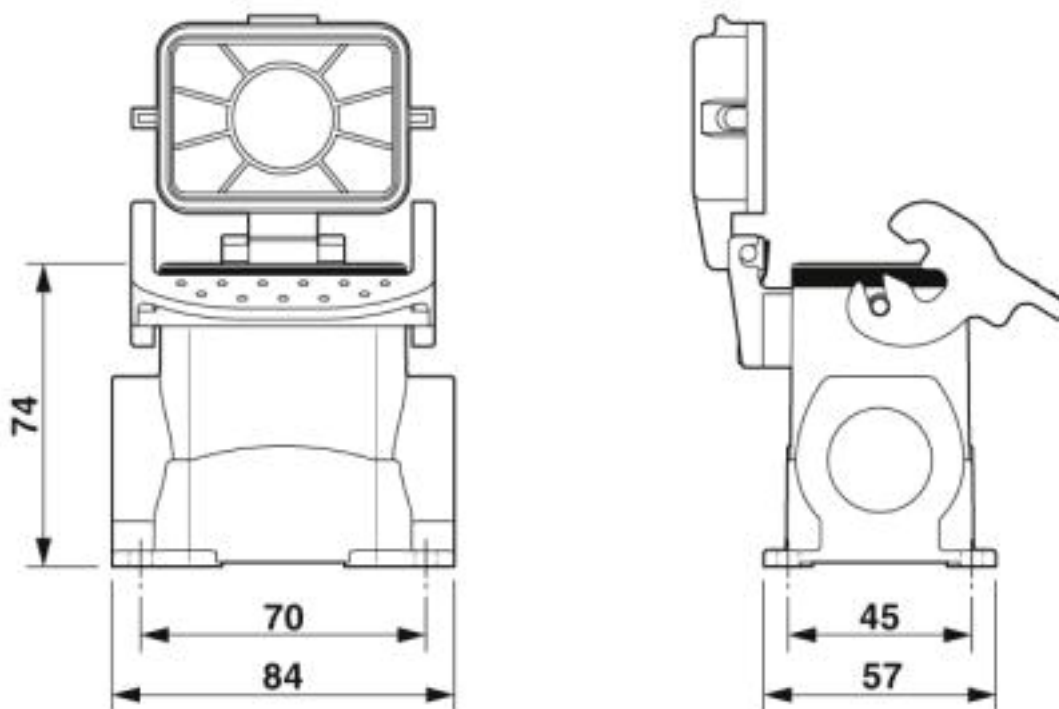
|                              |                                     |
|------------------------------|-------------------------------------|
| Protective cover             | yes                                 |
| Housing material             | Aluminum die-cast                   |
| Housing surface material     | Powder-coated, gray                 |
| Seal material                | NBR                                 |
| Material lock                | Stainless steel, handle: PA         |
| Material grip body interlock | PA                                  |
| Material, protective cover   | PA                                  |
| Assembly instructions        | For half and full screw connections |

### Environmental Product Compliance

|            |   |
|------------|---|
| China RoHS | Environmentally friendly use period: unlimited = EFUP-e |
|            | No hazardous substances above threshold values          |

## Drawings

Dimensional drawing



Dimensional drawing; h = 52 mm

## Approvals

Approvals

## Housing - HC-B 06-SMLD-52/O1M20 - 1460275

### Approvals

Approvals


EAC

---

Ex Approvals

---

### Approval details

|     |   |                          |
|-----|---|--------------------------|
| EAC |  | RU C-<br>DE.AI30.B.01102 |
|-----|---|--------------------------|

---

Phoenix Contact 2019 © - all rights reserved  
<http://www.phoenixcontact.com>

PHOENIX CONTACT GmbH & Co. KG  
Flachsmarktstr. 8  
32825 Blomberg  
Germany  
Tel. +49 5235 300  
Fax +49 5235 3 41200  
<http://www.phoenixcontact.com>