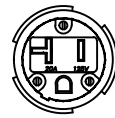
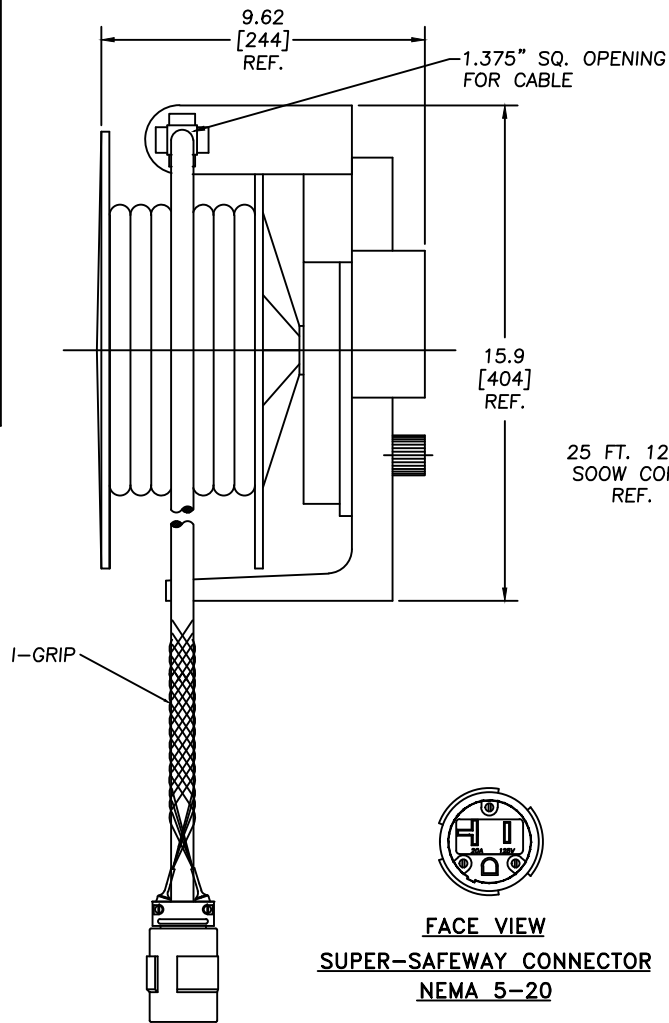
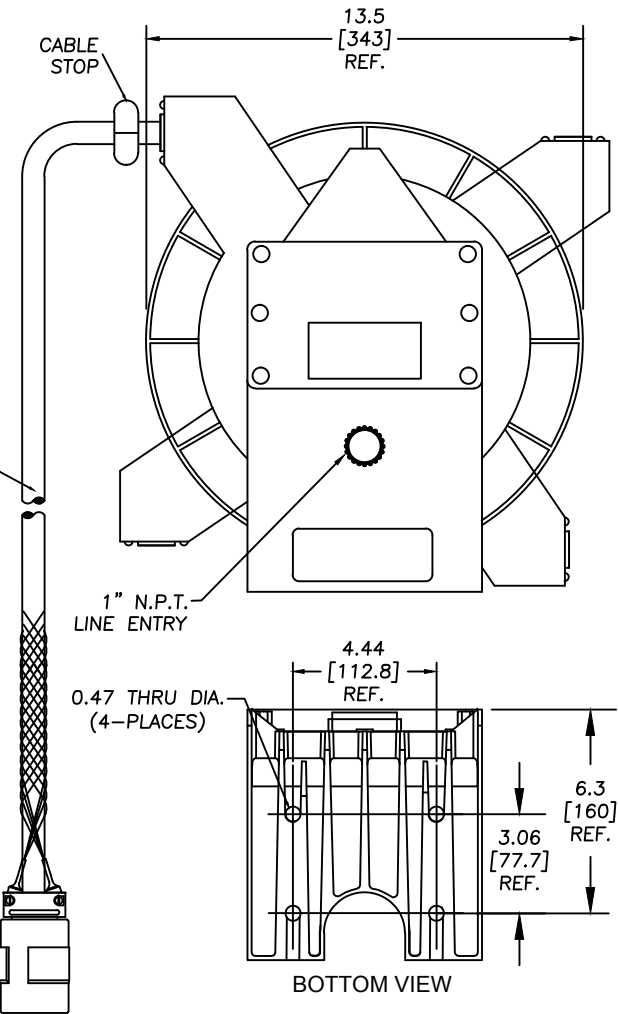


ORDER NO.	130083-0265
WOODHEAD ENG. NO.	9383-1533
WIRE GAUGE	12
CONDUCTORS	3
AMPERAGE	18A
CORD LENGTH	25 FT [7.62 M]
CORD TYPE	SOOW
CONSTRUCTION	HEAVY WALL CAST ALUMINUM
PAINT	YELLOW POWDER COAT
REEL ENCLOSURE RATING	NEMA 4 INDOOR / OUTDOOR
RETRACTION WEIGHT	4.0 LB [1.8 KG]



FACE VIEW
SUPER-SAFEWAY CONNECTOR
NEMA 5-20



NOTES:

- CABLE GUIDE IS ADJUSTABLE EVERY 5 DEGREES OVER 270 DEGREE ARC.
- RATCHET LOCK IS EASY TO DISENGAGE FOR CONSTANT TENSION.
- REEL CANNOT BE "LOCKED OUT" AT FULL TENSION.
- REEL IS TRUCK MOUNTABLE.
- BALL STOP IS INCLUDED

RELEASE DRAWING EC NO: WNA2012-0035 DRWN: MCHOJECK 2011/07/18 CHKD: DT APPR: DTITUS 2011/09/02	QUALITY SYMBOLS	GENERAL TOLERANCES (UNLESS SPECIFIED)		DIMENSION STYLE	SCALE	DESIGN UNITS	THIRD ANGLE PROJECTION	
	$\nabla=0$ $\nabla C=0$	mm	INCH	IN/MM	NTS	INCH		
		4 PLACES ±---	±---	DRAWN BY DATE	TITLE			
		3 PLACES ±---	±.005	MCHOJECK 2011/07/18	CORD REEL			
	2 PLACES ±0.13	±.010	CHECKED BY DATE	W/9521 AND 1533				
	1 PLACE ±0.25	±.020	DT 2011/07/18	#12-3 20A CONNECTOR				
	ANGULAR ±1/2°		APPROVED BY DATE	MOLEX INCORPORATED				
	DRAFT WHERE APPLICABLE MUST REMAIN WITHIN DIMENSIONS		DTITUS 2011/09/02	MATERIAL NO.		DOCUMENT NO.	SHEET NO.	
				1300830265		SD-130083-036	1 OF 1	
				THIS DRAWING CONTAINS INFORMATION THAT IS PROPRIETARY TO MOLEX INCORPORATED AND SHOULD NOT BE USED WITHOUT WRITTEN PERMISSION				