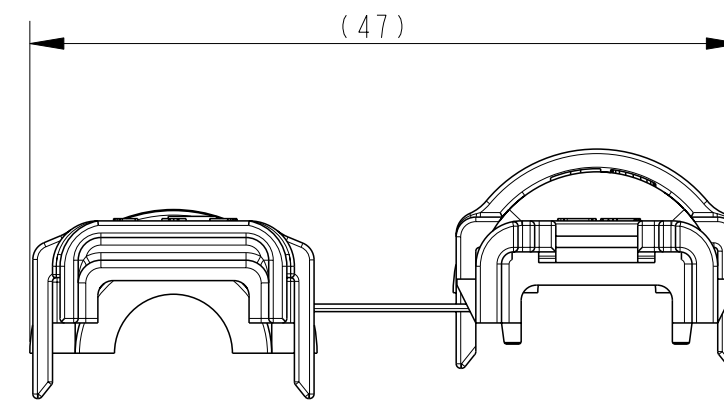
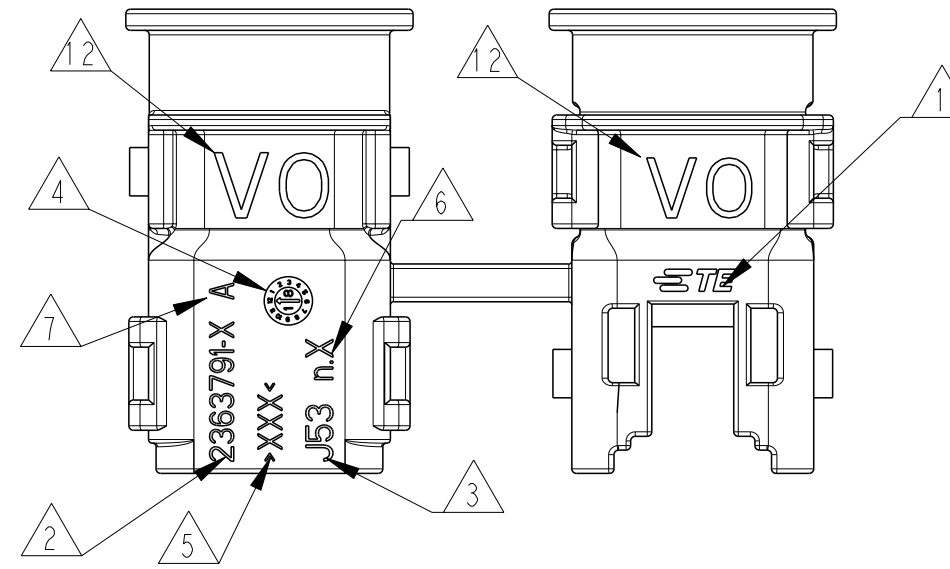
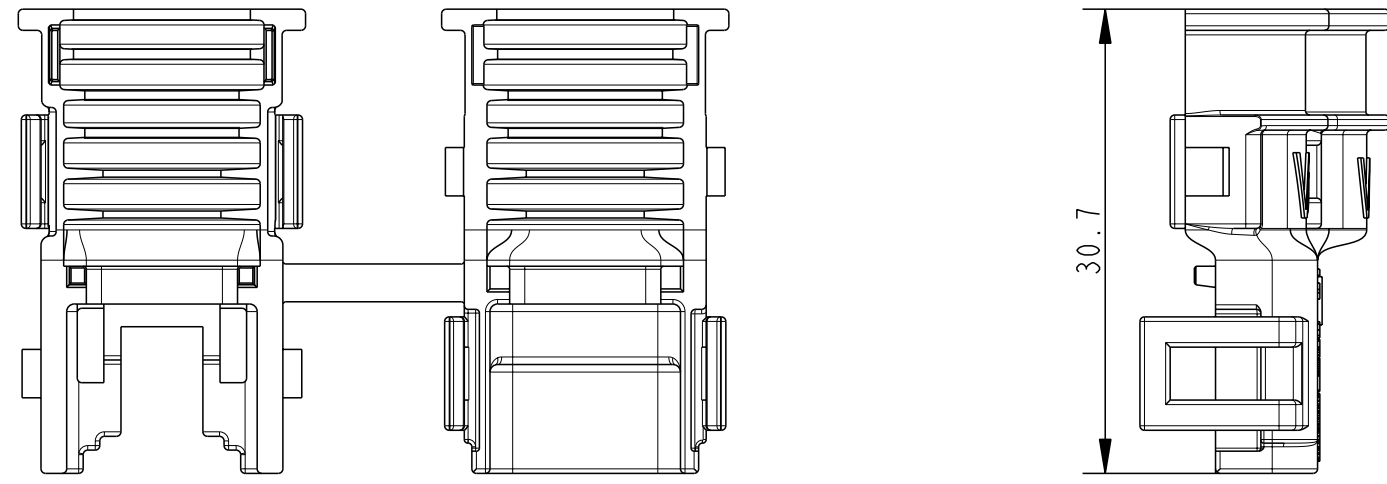


DELIVERY CONDITION AS SHOWN

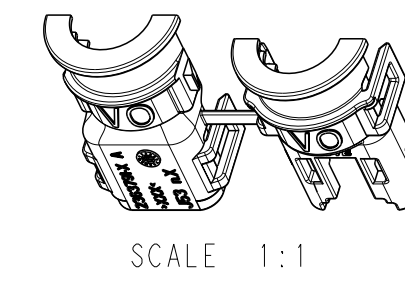
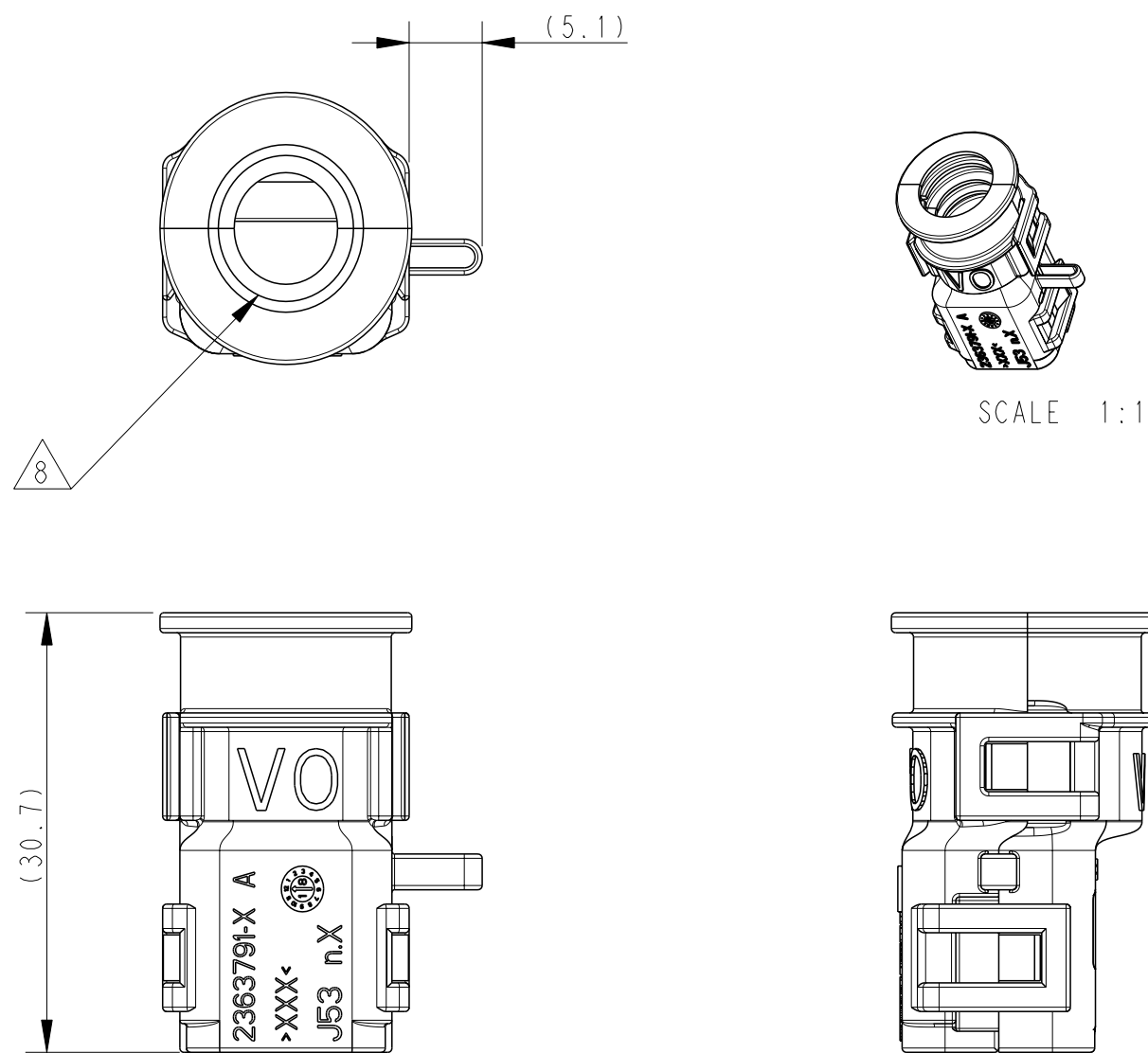


REVISIONS					
P	LTR	DESCRIPTION	DATE	DWN	APVD
A		INITIAL RELEASE	06DEC2019	N.S	I.Y
A1		ECR-20-011698	21AUG2020	N.S	I.Y
A2		ECR-20-013035	15SEP2020	N.S	I.Y
A3		ECR-20-015033	22OCT2020	N.S	I.Y

NOTES:

- 1. TE LEGO
- 2. TE PART NO.
- 3. MANUFACTURING LOCATION.
- 4. DATE CODE.
- 5. MATERIAL MARKING, EXCHANGEABLE
- 6. MOULD CAVITY MARKING
- 7. PART REVISION
- 8. FOR CORRUGATED TUBE: NW 6/7.5/8.5/10.
- 9. P/N: 2363791 USED ON SSP PLUG 2P P/N: 2324808 AND DT06-2S-XXXX NO CAP VERSION
- 10. BULK PACKAGING IN CORRUGATED BOX
- 11. BASED ON THE HINGE MECHANISM, THE DELIVERY CONDITION CAN BE DIFFERENT TO THE SHOWN STATUS.
- 12. VO MARK. ONLY SHOWS ON PN: 2363791-2

CLOSED (MOUNTED) CONDITIONS AS SHOWN



TE P/N	REV	COLOR	DESCRIPTION	ITEM
2363791-2	A	BLACK	180DEG PLUG HSG BACKSHELL FOR SUPERSEAL PRO 2P (VO TYPE)	2
2363791-1	A	BLACK	180DEG PLUG HSG BACKSHELL FOR SUPERSEAL PRO 2P (HB TYPE)	1

THIS DRAWING IS A CONTROLLED DOCUMENT.

DWN	N. SONG	22NOV2019
CHK	E. JIANG	22NOV2019
APVD	I. YIN	22NOV2019

TE Connectivity

PLUG HSG BACKSHELL, 2POS, SSP, 180DEG

SIZE	CAGE CODE	DRAWING NO	RESTRICTED TO
A2	00779	C-2363791	

CUSTOMER DRAWING SCALE 2:1 SHEET 1 OF 1 REV A3