

THIS DRAWING IS UNPUBLISHED.

RELEASED FOR PUBLICATION

ALL RIGHTS RESERVED.

© COPYRIGHT - By -

REVISIONS

P	LTR	DESCRIPTION	DATE	DWN	APVD
D		ECO-18-005656	12APR2018	LL	SH

NOTES:

1. MATERIAL:

1.1 HOUSING & INSERT HOUSING: LCP, WITH 30% G.F, UL94 V-0; COLOR: BLACK

1.2 CONTACT: PHOSPHOR BRONZE.

1.3 SHELL: BRASS.

1.4 MYLAR: SILICONE POLYMER.

2. FINISH:

2.1 CONTACT: (SEE TABLE) GOLD PLATED ON CONTACT AREA.

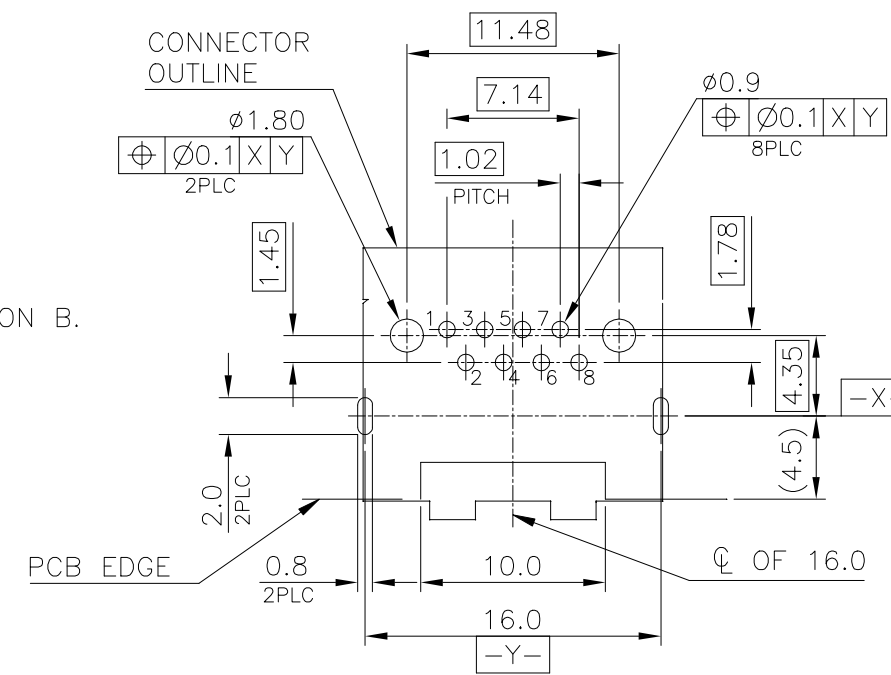
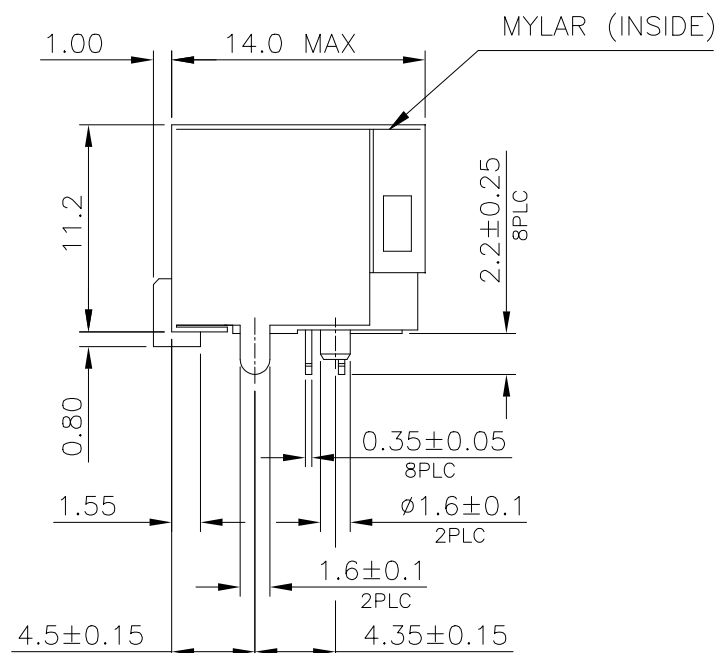
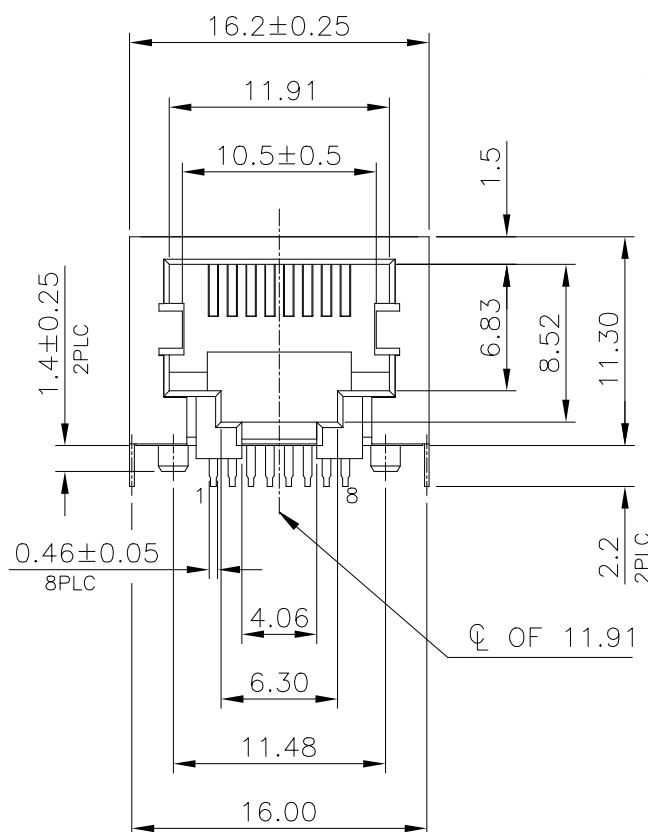
GOLD FLASH ON SOLDER TAIL.

1.27um [50u"] MIN. NICKEL UNDERPLATED OVERALL.

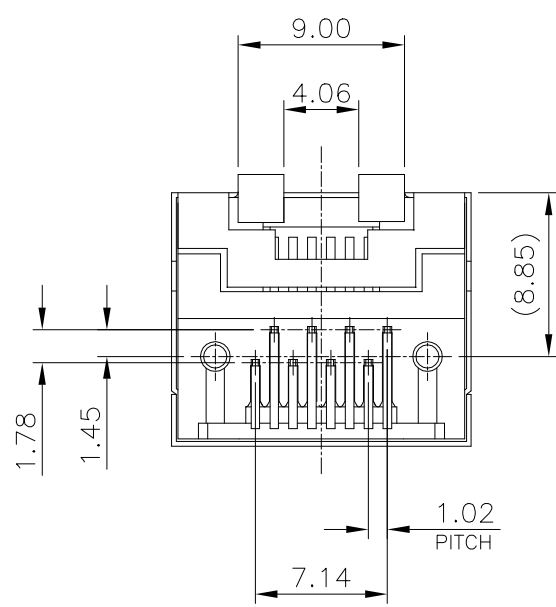
2.2 SHELL: 0.508um [20u"] MIN. NICKEL PLATED.

3. WAVE SOLDER CAPABLE TO 265°C PER TE SPEC. 109-202, CONDITION B.

LOGO & DATE CODE



RECOMMENDED PCB LAYOUT (COMPONENT SIDE)  
TOLERANCE: ±0.05  
PCB THICKNESS: 1.6mm



	1.27um [50u"]	1734579-4
OBSOLETE	0.762um [30u"]	<del>1734579-3</del>
OBSOLETE	0.381um [15u"]	<del>1734579-2</del>
OBSOLETE	0.152um [6u"]	<del>1734579-1</del>
	MIN. GOLD THICKNESS	PART NUMBER

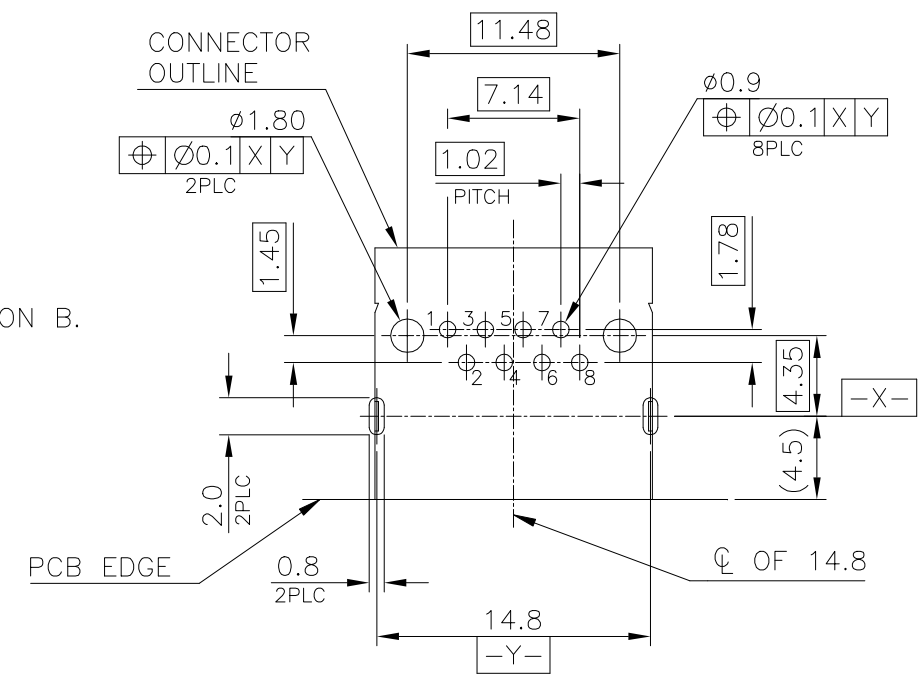
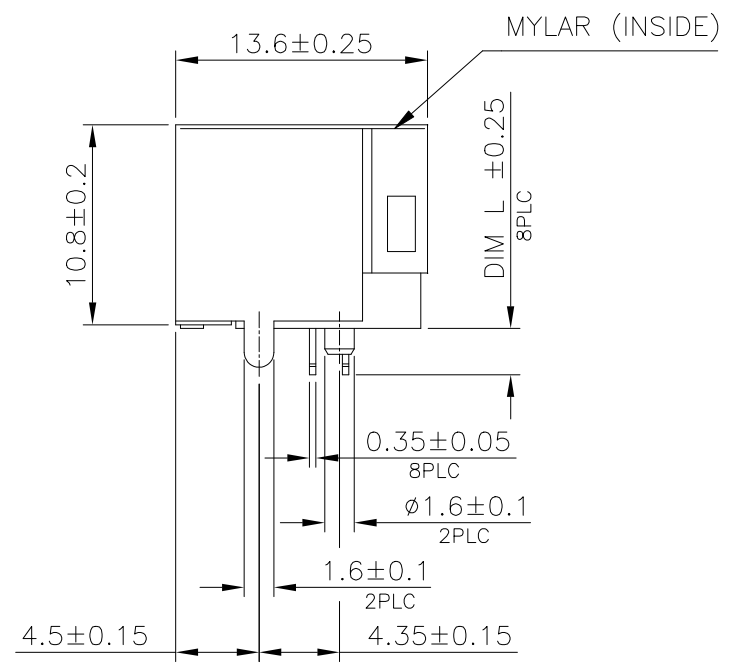
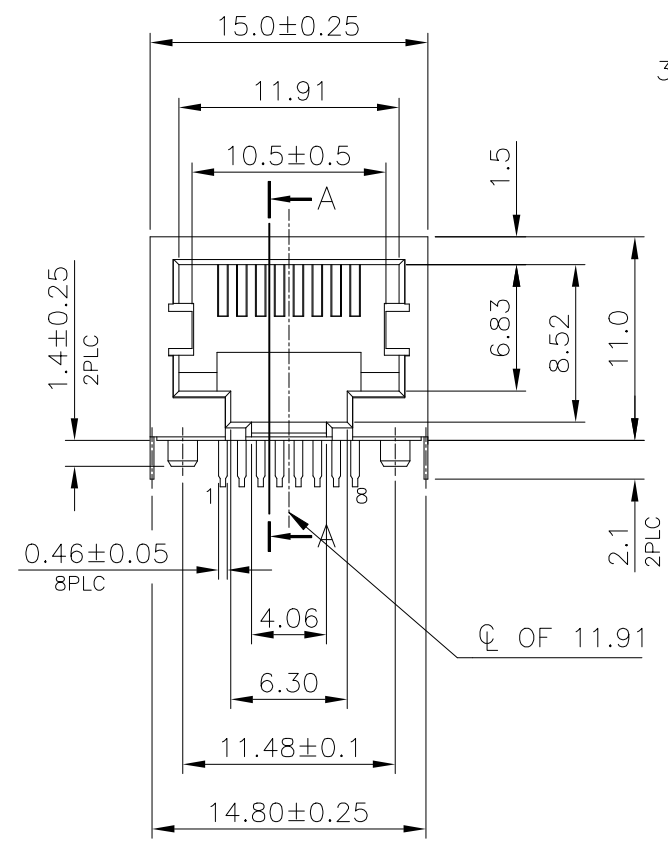
THIS DRAWING IS A CONTROLLED DOCUMENT.		DWN	B. HSING	27OCT2006
DIMENSIONS: mm		CHK	S. CHIEN	27OCT2006
TOLERANCES UNLESS OTHERWISE SPECIFIED:		APVD	W. KODAMA	27OCT2006
0 PLC	± -	NAME		
1 PLC	± 0.3	108-57527		
2 PLC	± 0.2	APPLICATION SPEC		
3 PLC	± 0.15	-		
4 PLC	± -	WEIGHT 3.5 GRAMS		
ANGLES	± 3'	CUSTOMER DRAWING		
MATERIAL	FINISH	STE TE Connectivity		
SEE NOTE	SEE NOTE	MODULAR JACK CONNECTOR RJ45, 8P8C SHIELDED, TAB DOWN, DIP TYPE		
		SIZE	A3	CAGE CODE 00779
		DRAWING NO	C=1734579	
		RESTRICTED TO	-	
		SCALE	1:1	SHEET 1 OF 4
		REV	D	

THIS DRAWING IS UNPUBLISHED. RELEASED FOR PUBLICATION  
 © COPYRIGHT - By - ALL RIGHTS RESERVED.

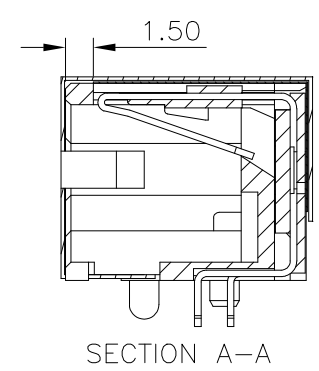
REVISIONS				
P	LTR	DESCRIPTION	DATE	APVD
-	-	SEE SHEET 1	-	-

- NOTES:
- MATERIAL:
    - HOUSING & INSERT HOUSING: LCP, WITH 30% G.F, UL94 V-0; COLOR: BLACK
    - CONTACT: PHOSPHOR BRONZE.
    - SHELL: BRASS.
    - MYLAR: SILICONE POLYMER.
  - FINISH:
    - CONTACT: (SEE TABLE) GOLD PLATED ON CONTACT AREA. GOLD FLASH ON SOLDER TAIL. 1.27um [50u"] MIN. NICKEL UNDERPLATED OVERALL.
    - SHELL: 0.508um [20u"] MIN. NICKEL PLATED.
  - WAVE SOLDER CAPABLE TO 265°C PER TE SPEC. 109-202, CONDITION B.

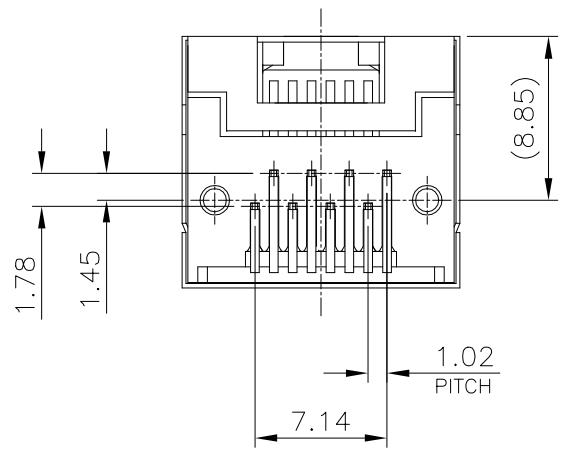
LOGO & DATE CODE



RECOMMENDED PCB LAYOUT (COMPONENT SIDE)  
 TOLERANCE: ±0.05  
 PCB THICKNESS: 1.6mm



OBSOLETE	2.5	1.27um [50u"]	<del>2-1734579-4</del>
OBSOLETE	3.2	1.27um [50u"]	<del>4-1734579-6</del>
		1.27um [50u"]	1-1734579-4
OBSOLETE	2.5	0.762um [30u"]	<del>4-1734579-3</del>
OBSOLETE		0.381um [15u"]	<del>4-1734579-2</del>
OBSOLETE		0.152um [6u"]	<del>4-1734579-1</del>
	DIM L	MIN. GOLD THICKNESS	PART NUMBER



THIS DRAWING IS A CONTROLLED DOCUMENT.		DWN	27OCT2006	
		CHK	B. HSING	
		APVD	27OCT2006	
		APVD	S. CHIEN	
		APVD	W. KODAMA	
		PRODUCT SPEC	108-57527	
		APPLICATION SPEC	-	
		WEIGHT	2.85 GRAMS	
MATERIAL		SEE NOTE	SEE NOTE	
DIMENSIONS:		mm		
TOLERANCES UNLESS OTHERWISE SPECIFIED:		0 PLC ± - 1 PLC ± 0.3 2 PLC ± 0.2 3 PLC ± 0.15 4 PLC ± - ANGLES ± 3°		
MATERIAL		SEE NOTE		
CUSTOMER DRAWING		SCALE 1:1 SHEET 2 OF 4 REV D		

**STE** TE Connectivity

NAME: MODULAR JACK CONNECTOR  
 RJ45, 8P8C  
 SHIELDED, TAB DOWN, DIP TYPE

SIZE: A3 CAGE CODE: 00779 DRAWING NO: C-1734579 RESTRICTED TO: -

THIS DRAWING IS UNPUBLISHED.

RELEASED FOR PUBLICATION

ALL RIGHTS RESERVED.

REVISIONS

P	LTR	DESCRIPTION	DATE	DWN	APVD
-	-	SEE SHEET 1	-	-	-

NOTES:

1. MATERIAL:

1.1 HOUSING & INSERT HOUSING: LCP, WITH 30% G.F, UL94 V-0; COLOR: BLACK

1.2 CONTACT: PHOSPHOR BRONZE.

1.3 SHELL: BRASS.

1.4 MYLAR: SILICONE POLYMER.

2. FINISH:

2.1 CONTACT: (SEE TABLE) GOLD PLATED ON CONTACT AREA.

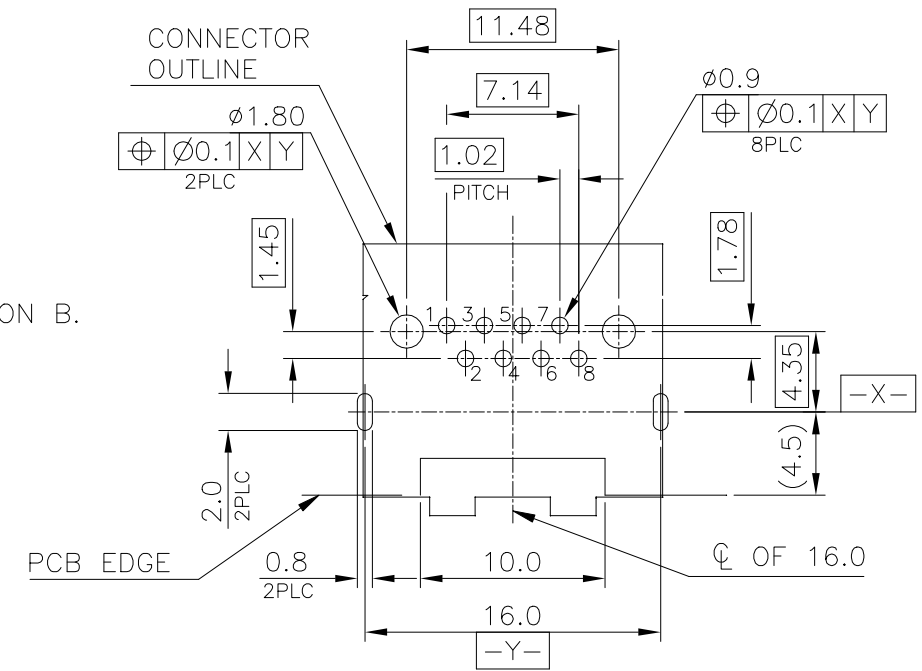
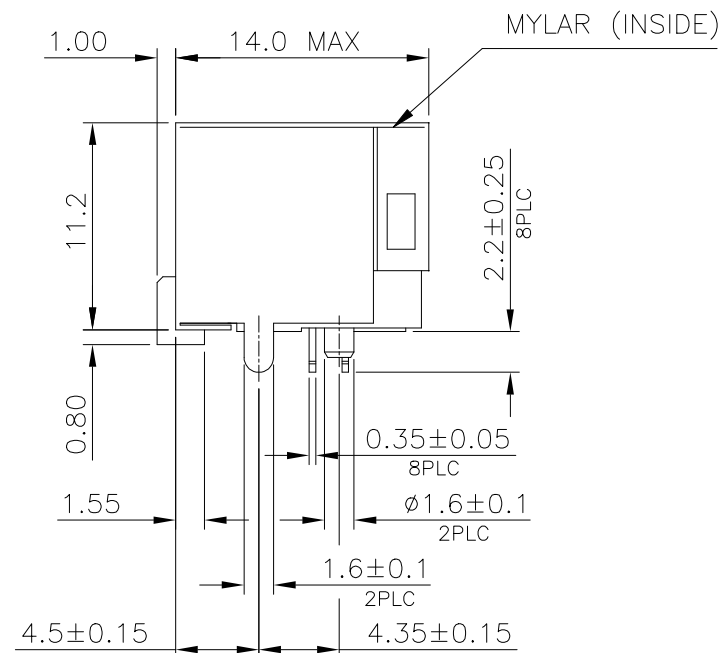
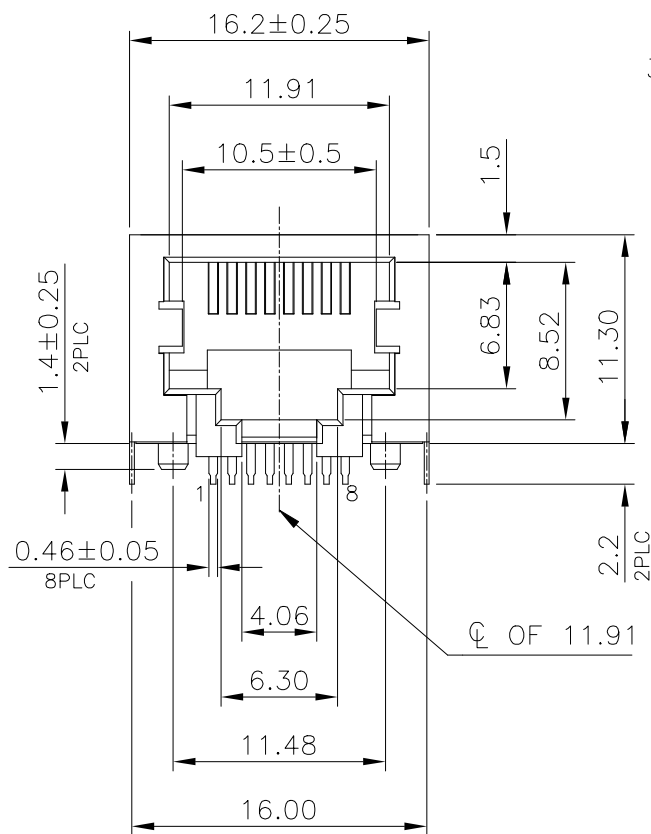
GOLD FLASH ON SOLDER TAIL.

1.27um [50u"] MIN. NICKEL UNDERPLATED OVERALL.

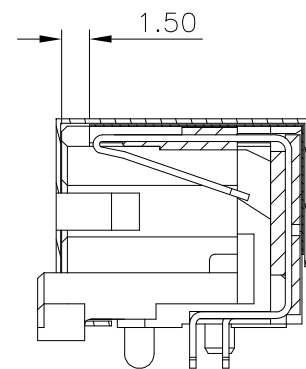
2.2 SHELL: 0.508um [20u"] MIN. NICKEL PLATED.

3. WAVE SOLDER CAPABLE TO 265°C PER TE SPEC. 109-202, CONDITION B.

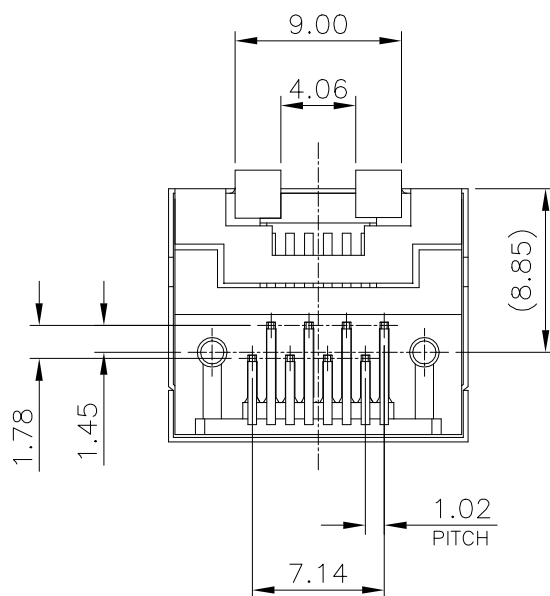
LOGO & DATE CODE



RECOMMENDED PCB LAYOUT (COMPONENT SIDE)  
TOLERANCE: ±0.05  
PCB THICKNESS: 1.6mm

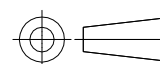


SECTION A-A



THIS DRAWING IS A CONTROLLED DOCUMENT.

DIMENSIONS:  
mm



MATERIAL  
SEE NOTE

TOLERANCES UNLESS OTHERWISE SPECIFIED:

0 PLC	± -
1 PLC	± 0.3
2 PLC	± 0.2
3 PLC	± 0.15
4 PLC	± -
ANGLES	± 3'

FINISH  
SEE NOTE

DWN 27OCT2006

B. HSING

CHK 27OCT2006

S. CHIEN

APVD 27OCT2006

W. KODAMA

PRODUCT SPEC

108-57527

APPLICATION SPEC

WEIGHT -

CUSTOMER DRAWING

NAME

MODULAR JACK CONNECTOR  
RJ45, 8P8C  
SHIELDED, TAB DOWN, DIP TYPE

SIZE	CAGE CODE	DRAWING NO	RESTRICTED TO
A3	00779	1734579	-

SCALE 1:1 SHEET 3 OF 4 REV D

1.27um [50u"]	3-1734579-4
MIN. GOLD THICKNESS	PART NUMBER



4

3

2

1

THIS DRAWING IS UNPUBLISHED.

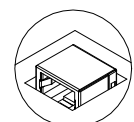
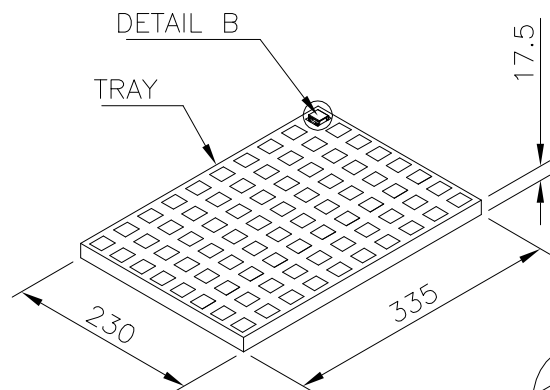
RELEASED FOR PUBLICATION

ALL RIGHTS RESERVED.

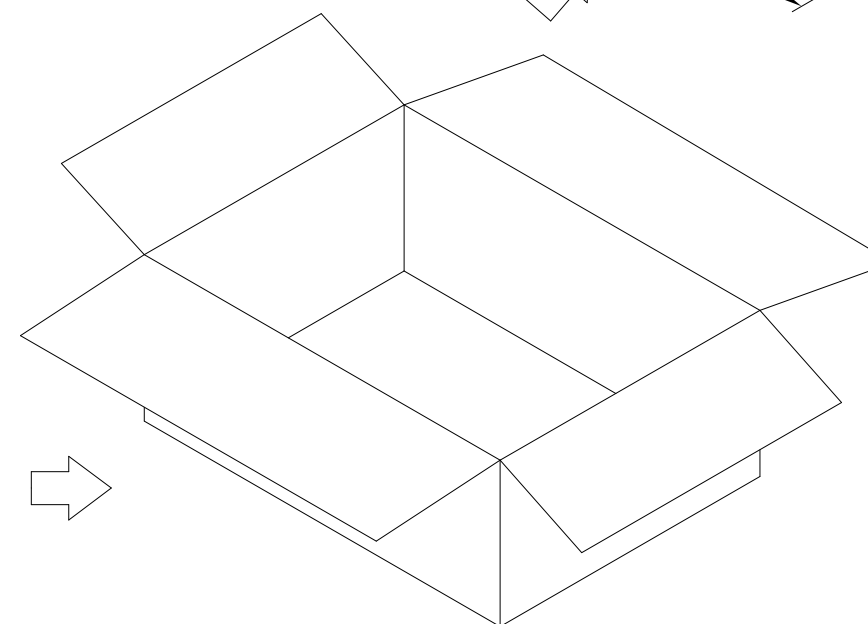
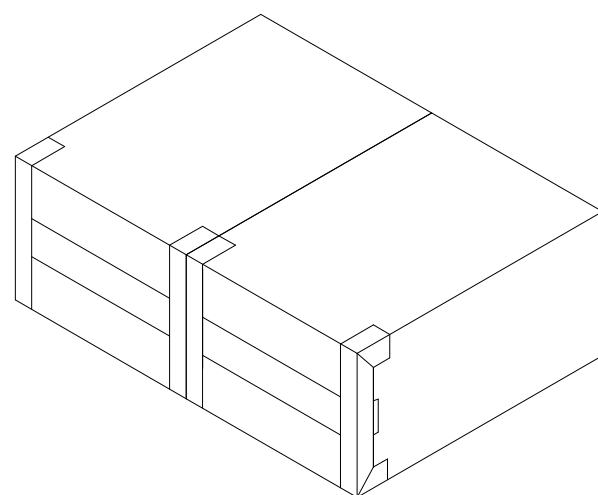
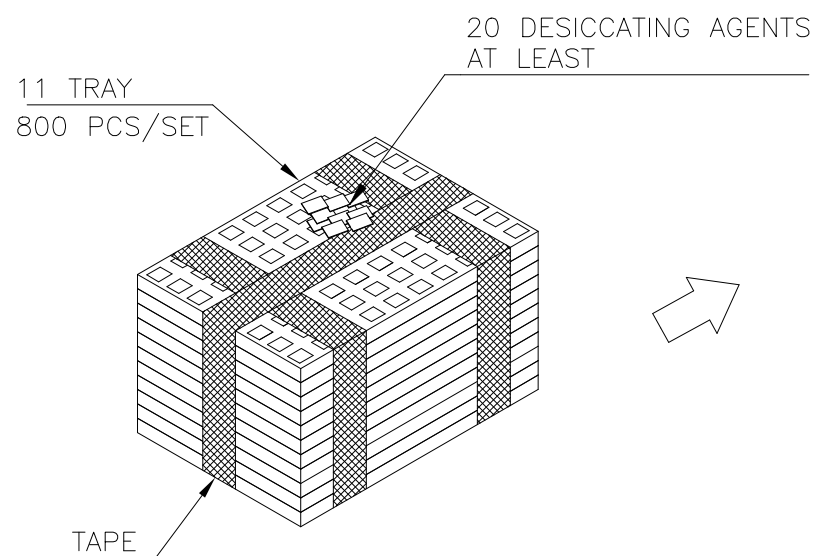
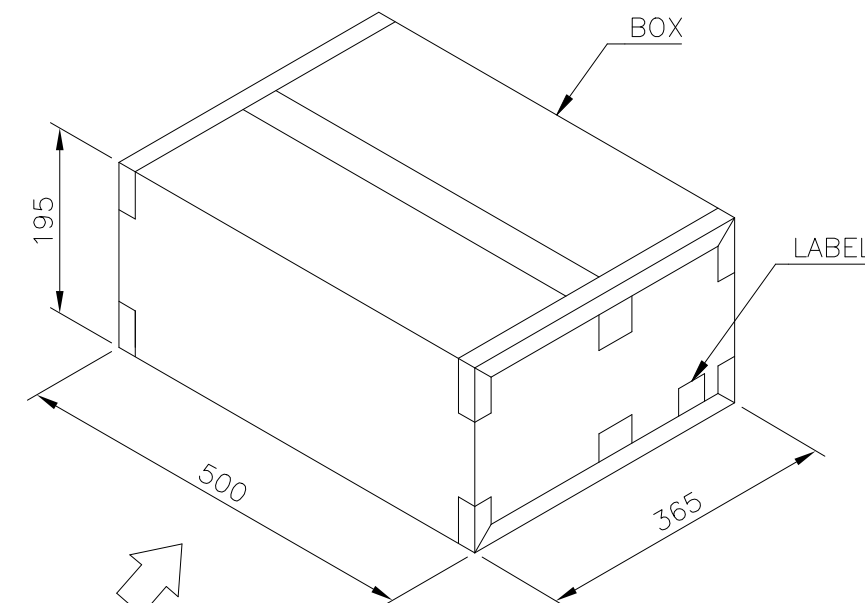
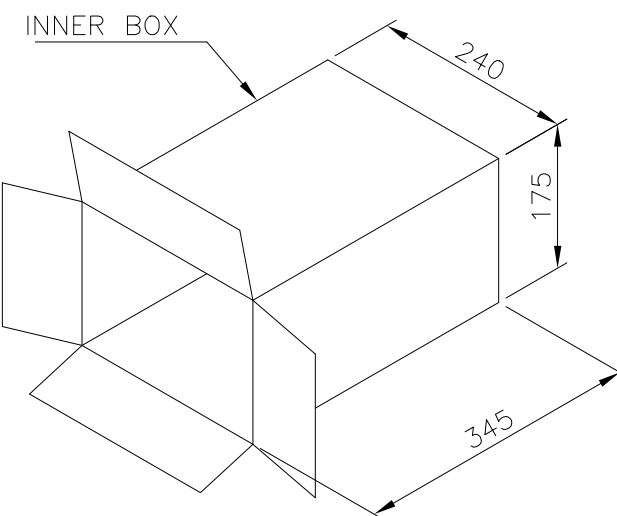
© COPYRIGHT - By -

REVISIONS


P	LTR	DESCRIPTION	DATE	DWN	APVD
-	-	SEE SHEET 1	-	-	-



DETAIL B  
SCALE 4:1



6.5 Kg	4.5 Kg	80	20	1600	2-1734579-4
7.6 Kg	5.6 Kg				1-1734579-X
					1734579-X
					3-1734579-4
GROSS WEIGHT	NET WEIGHT	PCS/TRAY	TRAY/BOX	PCS/BOX	PART NUMBER

THIS DRAWING IS A CONTROLLED DOCUMENT.		DWN B. HSING 27OCT2006	 <b>TE Connectivity</b>					
DIMENSIONS: mm		CHK S. CHIEN 27OCT2006				NAME		
TOLERANCES UNLESS OTHERWISE SPECIFIED:		APVD W. KODAMA 27OCT2006				MODULAR JACK CONNECTOR		
0 PLC ± - 1 PLC ± 0.3 2 PLC ± 0.2 3 PLC ± 0.15 4 PLC ± - ANGLES ± 3'		PRODUCT SPEC 108-57527				RJ45, 8P8C		
MATERIAL SEE NOTE		FINISH SEE NOTE	APPLICATION SPEC -	SHIELDED, TAB DOWN, DIP TYPE				
		WEIGHT -	SIZE A3	CAGE CODE 00779	DRAWING NO 1734579			
		CUSTOMER DRAWING	RESTRICTED TO -	SCALE 1:1	SHEET 4 of 4			
				REV D				