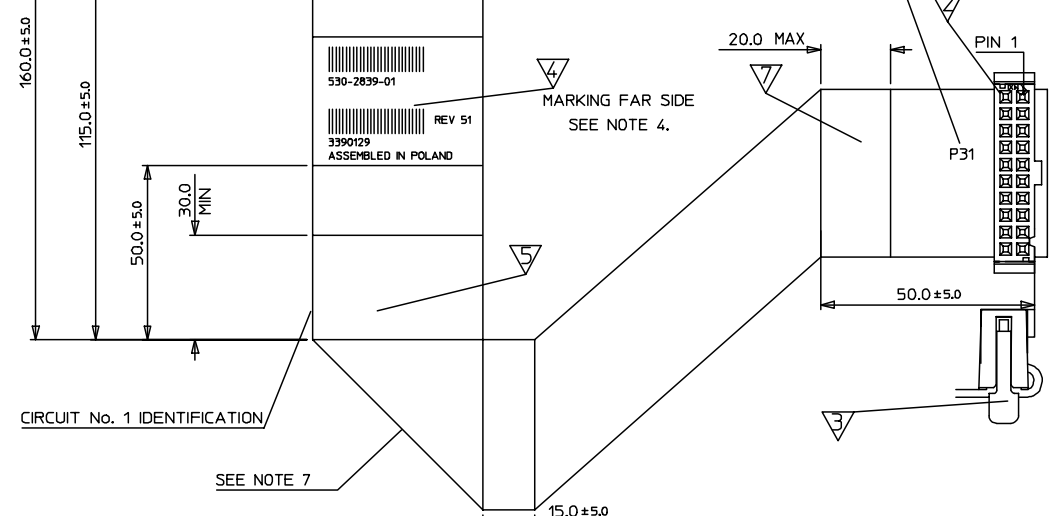


ITEM	COMPONENT	SUPPLIER	DESCRIPTION	QUANTITY	NOTE
1	99026-0002	MOLEX	20CKT RIBBON CABLE 28 AWG 1.27mm PITCH	1	2, 3, 5
2	90635-1201	MOLEX	1.27mm QF-50 RECEPTACLE	2	1, 3
3	90170-0020	MOLEX	STRAIN RELIEF FOR 20CKT CONNECTOR	2	3
4	90848-0255	MOLEX	WRAP AROUND LABEL	1	4
5	90848-0601	MOLEX	BLACK TAPE(38MM WIDE, REF. NO 494-405)	3	6
6	90848-0469	MOLEX	LOCTITE GLUE	1	7
7	90848-0600	MOLEX	BLACK TAPE(19MM WIDE, REF. NO 494-382)	1	6

NOTES:

- SEE PRODUCT SPECIFICATION PS-99020-0015.
- SEE CABLE SPECIFICATION ES-99027-0006.
- ALL HARNESSSES TO BE 100% ELECTRICALLY TESTED.
- LABEL TO BE PRINTED WITH THE FOLLOWING INFORMATION.  
 THE TOP LINE WILL COMPRISE THE HARNESS NUMBER IN BARCODE FORM.  
 THE SECOND LINE WILL BE COMPRISED OF THE HARNESS NUMBER IN HUMAN READABLE FORM,  
 THE THIRD LINE WILL BE COMPRISED OF THE VENDOR CODE, DATE CODE, IN BARCODE FORM.  
 REV 51 TO BE PRINTED BESIDE BARCODE.  
 THE FOURTH LINE WILL BE COMPRISED VENDOR CODE, DATE CODE, IN HUMAN READABLE FORM.  
 SUN P/N 530-2839-01.  
 THE FIFTH LINE WILL COMPRISE OF THE COUNTRY OF ORIGIN, ASSEMBLED IN POLAND.
- REFERENCE DESIGNATION (I.E "P32" & "P31")PRINTED ON CABLE IN APPROX. AREA SHOWN.
- TAPE TO BE PLACED APPROX IN THE AREA SHOWN.
- LOCTITE GLUE TO BE APPLIED TO ALL FOLDS.
- ALL MATERIALS USED IN THE CONSTRUCTION OF THIS COMPONENT/ASSEMBLY (INCLUDING RAW STOCK, COATINGS, HARDWARE, GASKETING, ETC.), SHALL COMPLY WITH THE LATEST REVISION OF SUN ROHS-COMPLIANT SPECIFICATION 914-1742-XX.



ADDED NOTE 8 ELC NO. E2006-0688 2007/04/27 DRAWN: ID/DEK 2007/05/07 CHKD: PHA/JUCKI 2007/05/08 APPR: DMARWAS	QUALITY SYMBOLS ▽=0 ▽=0	GENERAL TOLERANCES (UNLESS SPECIFIED)		DIMENSION STYLE MM ONLY		SCALE ---	DESIGN UNITS METRIC	THIRD ANGLE PROJECTION	
		4 PLACES ± --- ± --- 3 PLACES ± --- ± --- 2 PLACES ± --- ± --- 1 PLACE ± --- ± --- ANGULAR ± --- °	mm INCH	DRAWN BY BENRIGHT	DATE 2000/05/17	TITLE 20CKT RIBBON CABLE			
				CHECKED BY DRYAN	DATE 2000/05/17	MOLEX INCORPORATED			
				APPROVED BY MWILHITE	DATE 2000/05/17	DOCUMENT NO. SD-92301-358		SHEET NO. 1 OF 1	
		DRAFT WHERE APPLICABLE MUST REMAIN WITHIN DIMENSIONS		MATERIAL NO. 92301-0195		THIS DRAWING CONTAINS INFORMATION THAT IS PROPRIETARY TO MOLEX INCORPORATED AND SHOULD NOT BE USED WITHOUT WRITTEN PERMISSION			