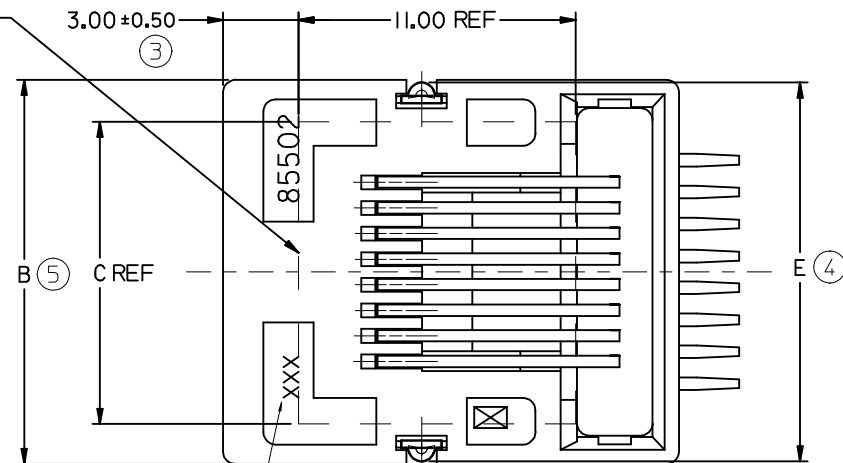
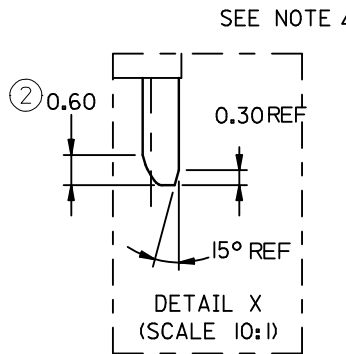
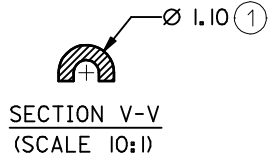


10 9 8 7 6 5 4 3 2 1



**NOTES:**

**1- MATERIAL:**

HOUSING: LCP GLASS FILLED UL 94V0, COLOUR: BLACK  
 TERMINAL: COPPER ALLOY PLATED WITH:  
 BASE FINISH: NICKEL  
 CONTACT SURFACE FINISH:  
 GOLD  
 OR  
 GOLD FLASH OVER PALLADIUM NICKEL.  
 EXCEEDS PRODUCT REQUIREMENTS BASED ON PS-95501

SOLDER PEGS: COPPER ALLOY PLATED WITH TIN.

2- JACK FOR MATING WITH IEC 60603-7 & TIA-1096-A PLUGS (MOLEX 90075 SERIES).

3- PRODUCT SPECIFICATION: MOLEX PS-95501

4- POLYIMIDE ADHESIVE TAPE FOR PICK & PLACE SURFACE. THICKNESS: 125 μm

5- PACKAGING SPECIFICATION: MOLEX PK-85502. (BLISTER PACKAGING).

6- COPLANARITY OF SIGNAL LEADS: 0.10

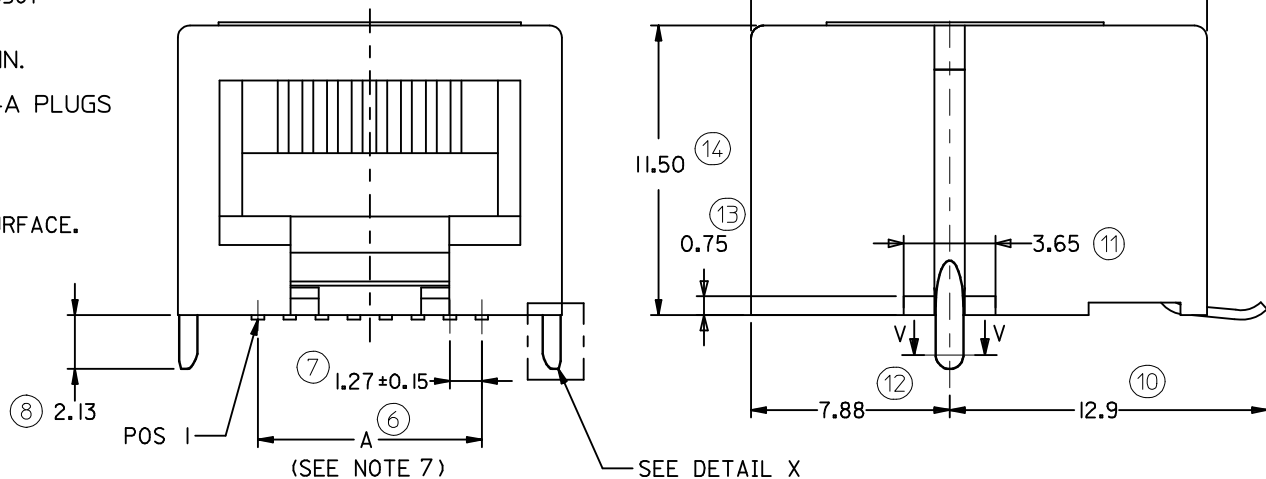
7- SEE DIMENSIONS IN CHART ON SHEET 2.

8- P.C. BOARD THICKNESS: 1.57

9- MANUFACTURING I.D. CAN BE EITHER MG, MXF OR MXI.

10- APPLICATION SPEC: AS-85513-001

LAST INSPECTION NUMBER: 14

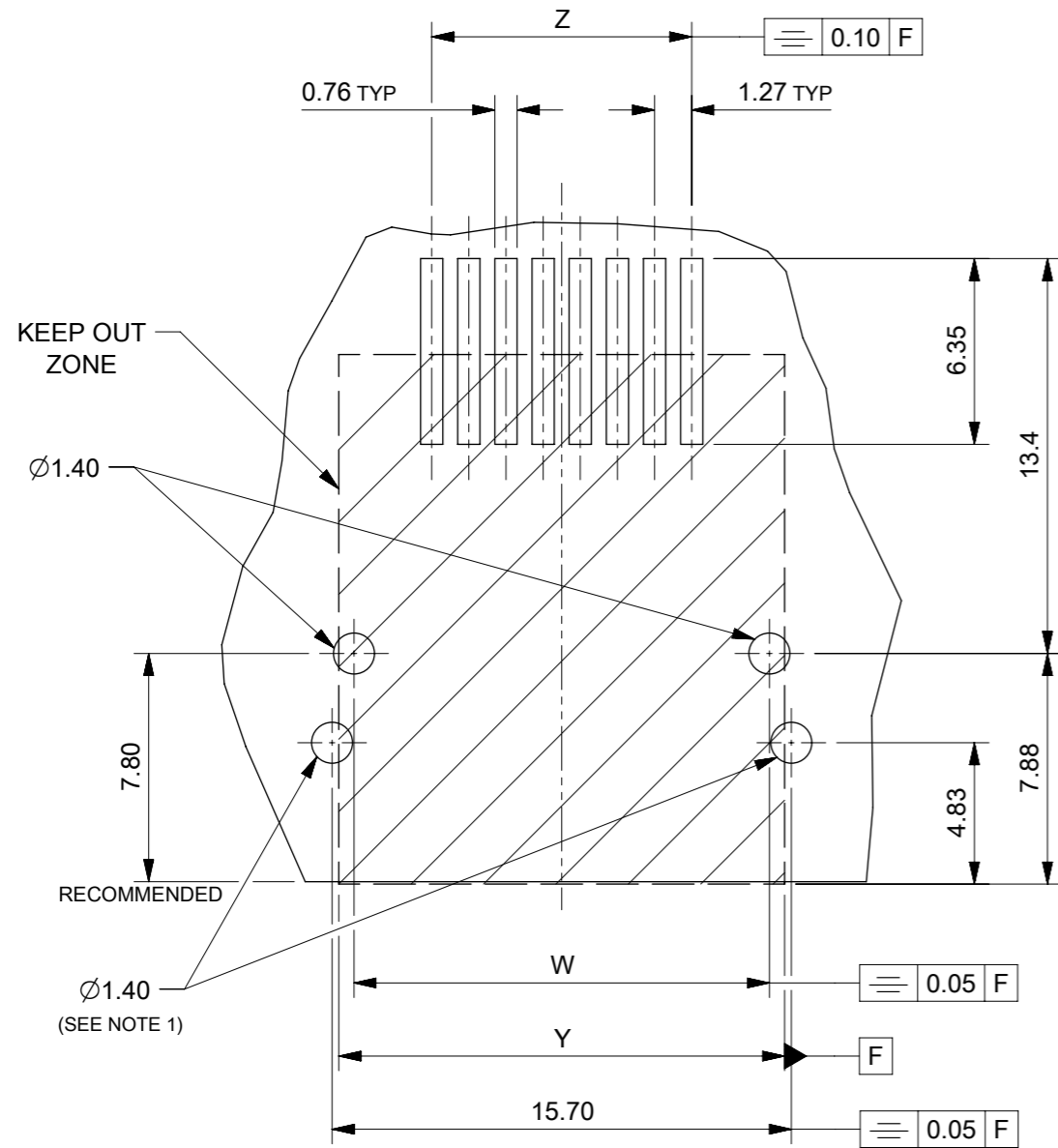


CHANGED PROD SPEC EC NO: IPG2013-0771 DRWN:DBYRNES 2012/11/23 CHKD: APPR:STGRIFFIN 2012/12/13 REV DESCRIPTION	QUALITY SYMBOLS	GENERAL TOLERANCES (UNLESS SPECIFIED)	DIMENSION STYLE	SCALE	DESIGN UNITS	THIRD ANGLE PROJECTION
	▽=0 Ⓢ=0	mm INCH 4 PLACES ± --- ± --- 3 PLACES ± --- ± --- 2 PLACES ± 0.25 ± --- 1 PLACE ± 0.35 ± --- ANGULAR ± 2 °	MM ONLY	5:1	METRIC	☉ ☐ THIRD ANGLE PROJECTION
		DRAFT WHERE APPLICABLE MUST REMAIN WITHIN DIMENSIONS	DRAWN BY DATE DB 2006/06/12 CHECKED BY DATE EOMAHONY 2006/06/15 APPROVED BY DATE EOMAHONY 2006/06/15 MATERIAL NO. SEE CHART SHT 2	TITLE	R/A LOW PROFILE P.C.JACK SMT; 4,6 & 8 CKTS WITH THROUGH HOLE SOLDER PEGS MOLEX INCORPORATED	
			SIZE A3 THIS DRAWING CONTAINS INFORMATION THAT IS PROPRIETARY TO MOLEX INCORPORATED AND SHOULD NOT BE USED WITHOUT WRITTEN PERMISSION	DOCUMENT NO.	SD-85502-103 SHEET NO. 1 OF 2	

9 8 7 6 5 4 3 2 1



- NOTES:  
 1. TWO OPTIONAL HOLES FOR THE 8 POSITION - VERSION FOR THE COMPABILITY WITH THE INTERNAL SHIELDED VERSION.  
 2. PLATING SEE SHEET 1.



P.C.B. MOUNTING PATTERNS (THROUGH HOLE SOLDER LEGS VERSION)  
 VIEW FROM COMPONENT SIDE (SCALE 4:1)  
 ALL DIMENSIONS REF DIMENSIONS

PART NUMBERS FOR SMT JACK WITH THROUGH HOLE SOLDER PEGS									
STANDARD VERSION	HOUSING COLOR	POS. 4	TOOLED	POS. 6	TOOLED	POS. 6	TOOLED	POS. 8	TOOLED
		4 CKTS.		4 CKTS.		6 CKTS.		8 CKTS.	
	BLACK	85502-5009	X	85502-5010	X	85502-5011	X	85502-5012	X

DIM. \ TYPE	POS. 4	POS. 6		POS. 8
	4 CKTS.	4 CKTS.	6 CKTS.	8 CKTS.
A ± 0.15	3.81	3.81	6.35	8.89
B	11.18	13.21	13.21	15.24
C (REF)	8.50	8.50	8.50	12.00
E	11.08	13.11	13.11	15.14
W ± 0.05	10.13	12.16	12.16	14.19
Y (REF)	11.18	13.21	13.21	15.24
Z ± 0.05	3.81	3.81	6.35	8.89

FUNCTIONAL SYMBOLS	THIS DRAWING CONTAINS INFORMATION THAT IS PROPRIETARY TO MOLEX ELECTRONIC TECHNOLOGIES, LLC AND SHOULD NOT BE USED WITHOUT WRITTEN PERMISSION			
	$\nabla_A = 0$ $\nabla_E = 0$ $\nabla_P = 0$	DIMENSION UNITS: mm SCALE: 5:1 GENERAL TOLERANCES (UNLESS SPECIFIED): ANGULAR TOL ± 2.0°		
DIVISIONAL SYMBOLS	4 PLACES ± 3 PLACES ± 2 PLACES ± 0.25 1 PLACE ± 0.35 0 PLACES ±		PRODUCT CUSTOMER DRAWING	
	DRAFT WHERE APPLICABLE MUST REMAIN WITHIN DIMENSIONS THIRD ANGLE PROJECTION		INITIAL REVISION: DRWN: DBYRNES APPR: EOMAHONY	2006/07/04 2006/07/07
DOCUMENT STATUS		P1	RELEASE DATE	2020/08/25 03:53:11
SD-85502-103		PSD	002	E1
SEE CHART		GENERAL MARKET		2 OF 2