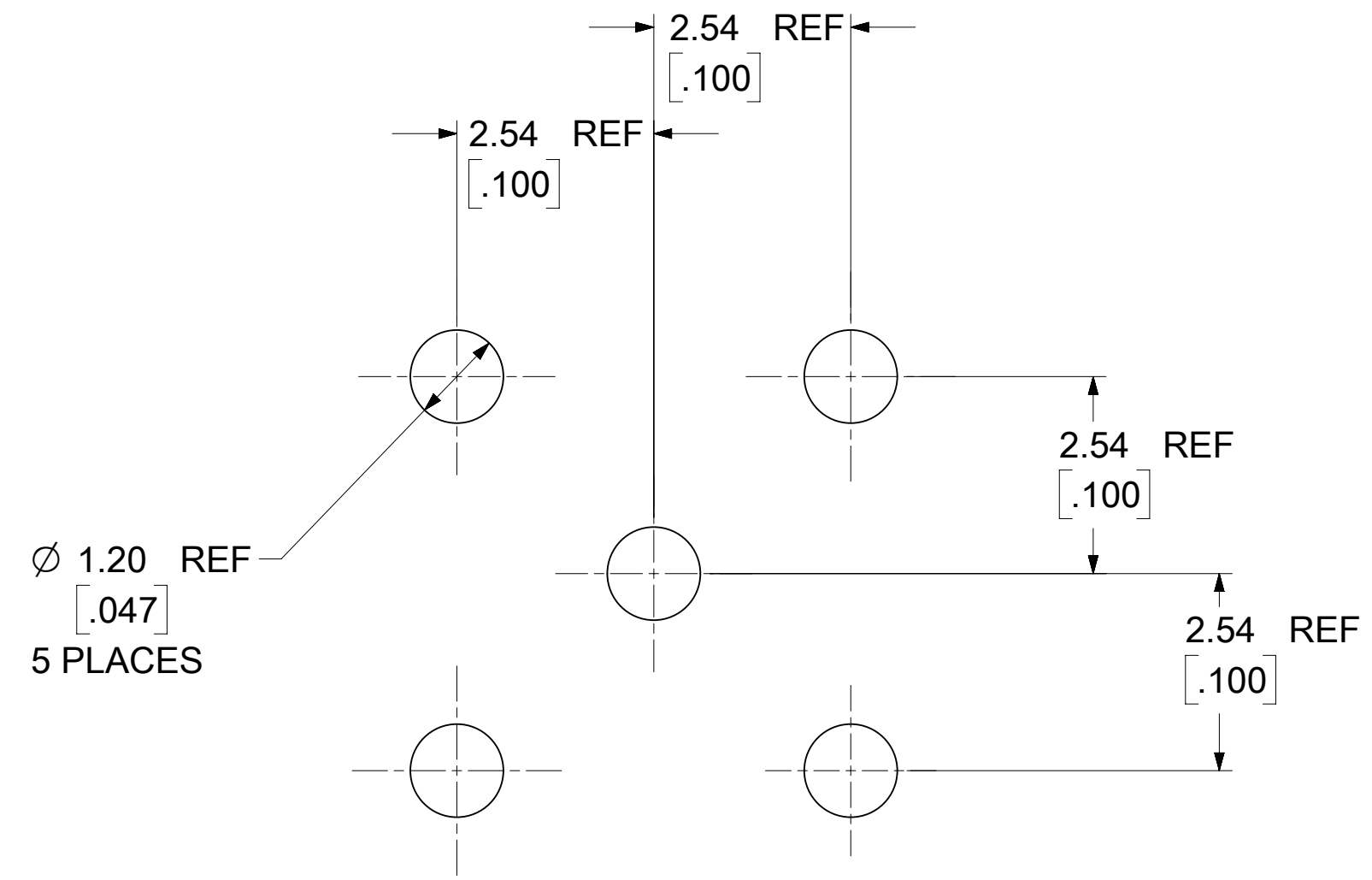
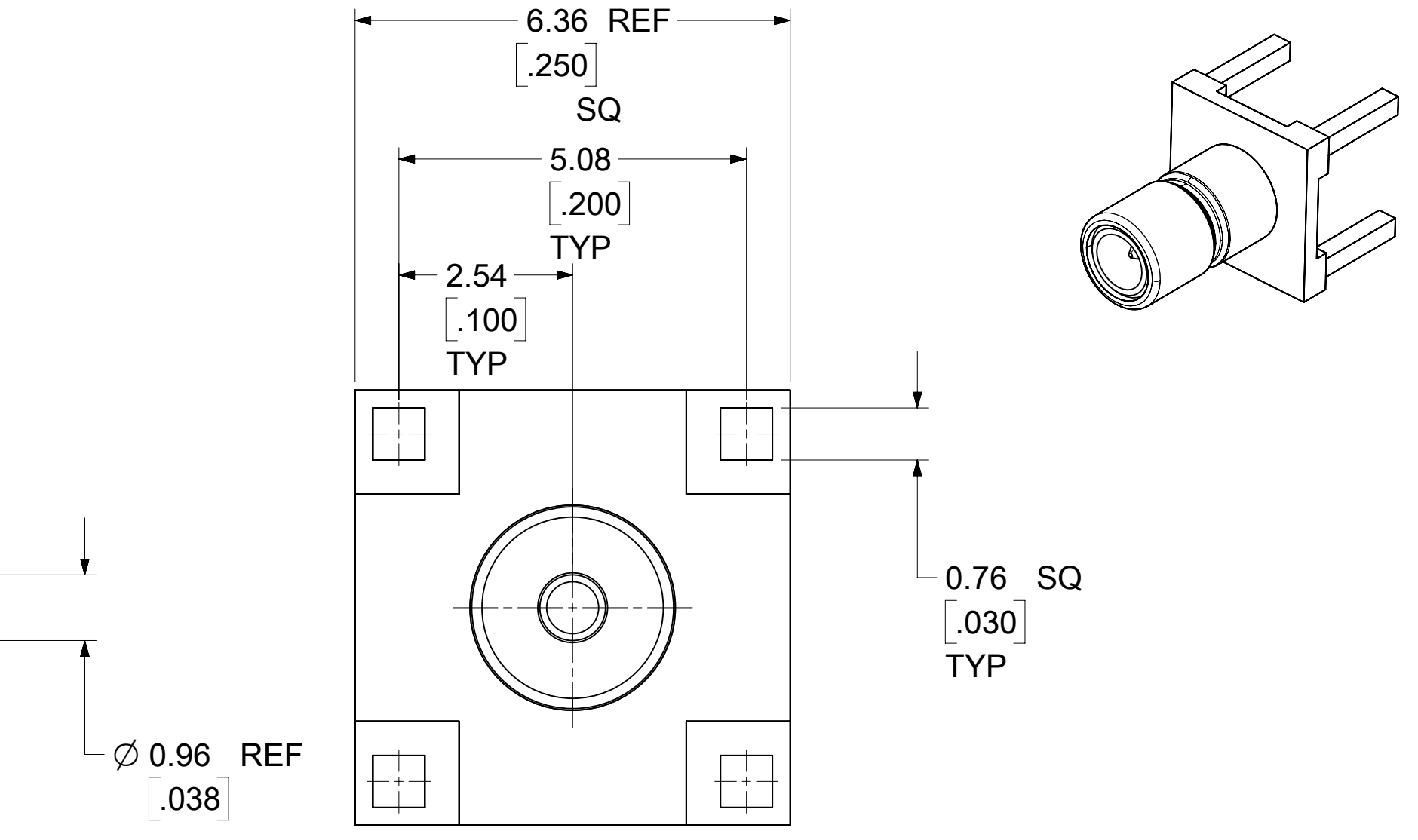
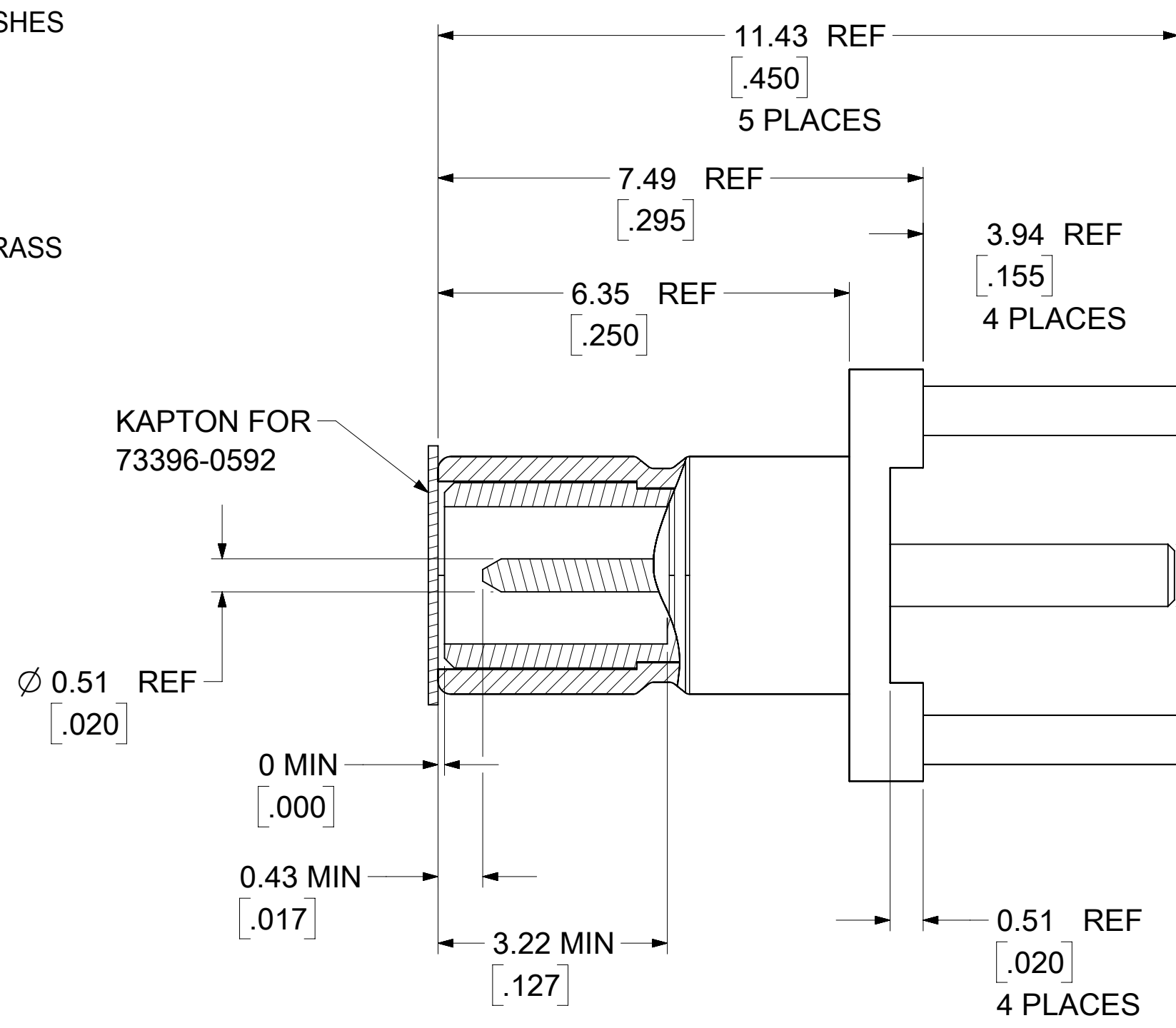


MATERIALS AND FINISHES

BODY BRASS
PLATED SEE TABLE

CENTER CONTACT BRASS
PLATED GOLD

INSULATOR TEFLON

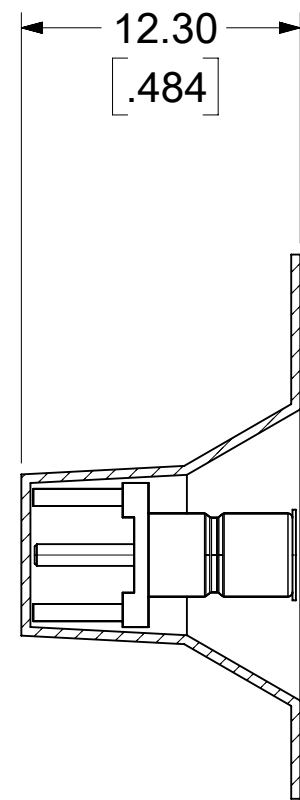


RECOMMENDED PCB MOUNTING HOLE

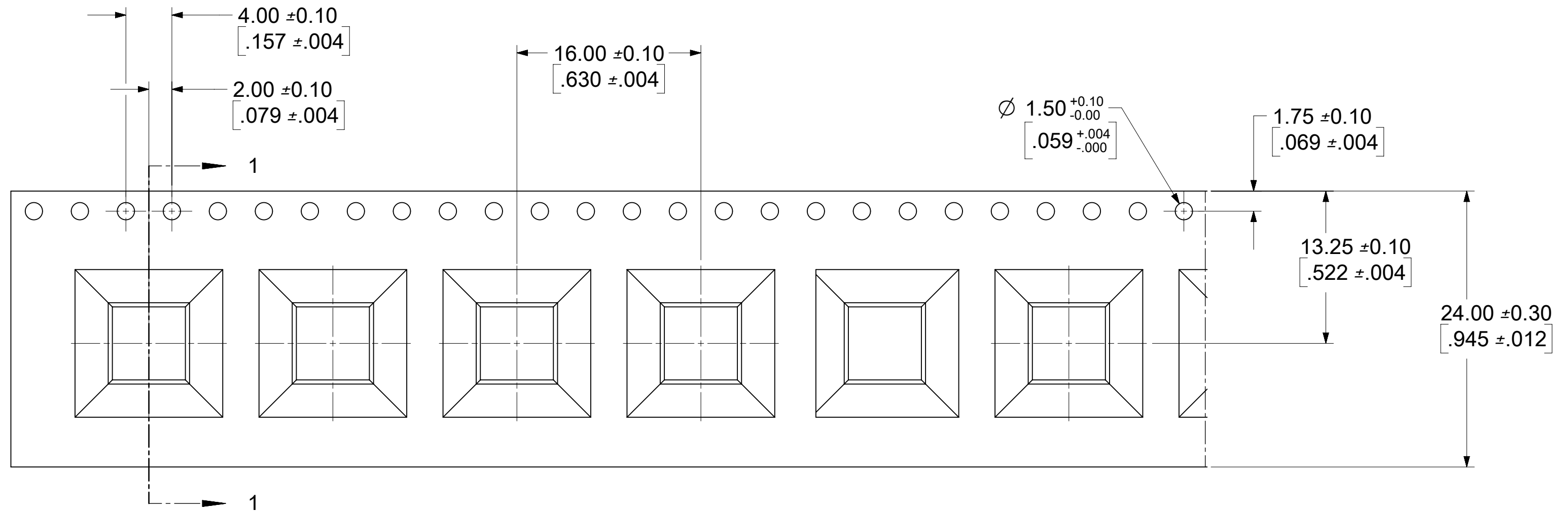
73396-0592	TAPE & REEL + KAPTON (1250 PCS)
73396-0591	TRAY/NICKEL (20 PCS)
73396-0590	SMALL TRAY PACKING/GOLD (20 PCS)
73404-2300	73100-0207, ONE PER BAG/GOLD
73100-0207	TRAY/GOLD (80 PCS)
PART NO.	PACKAGING/FINISH

PS-73598-0099	INTERFACE
SPECIFICATION	DESCRIPTION

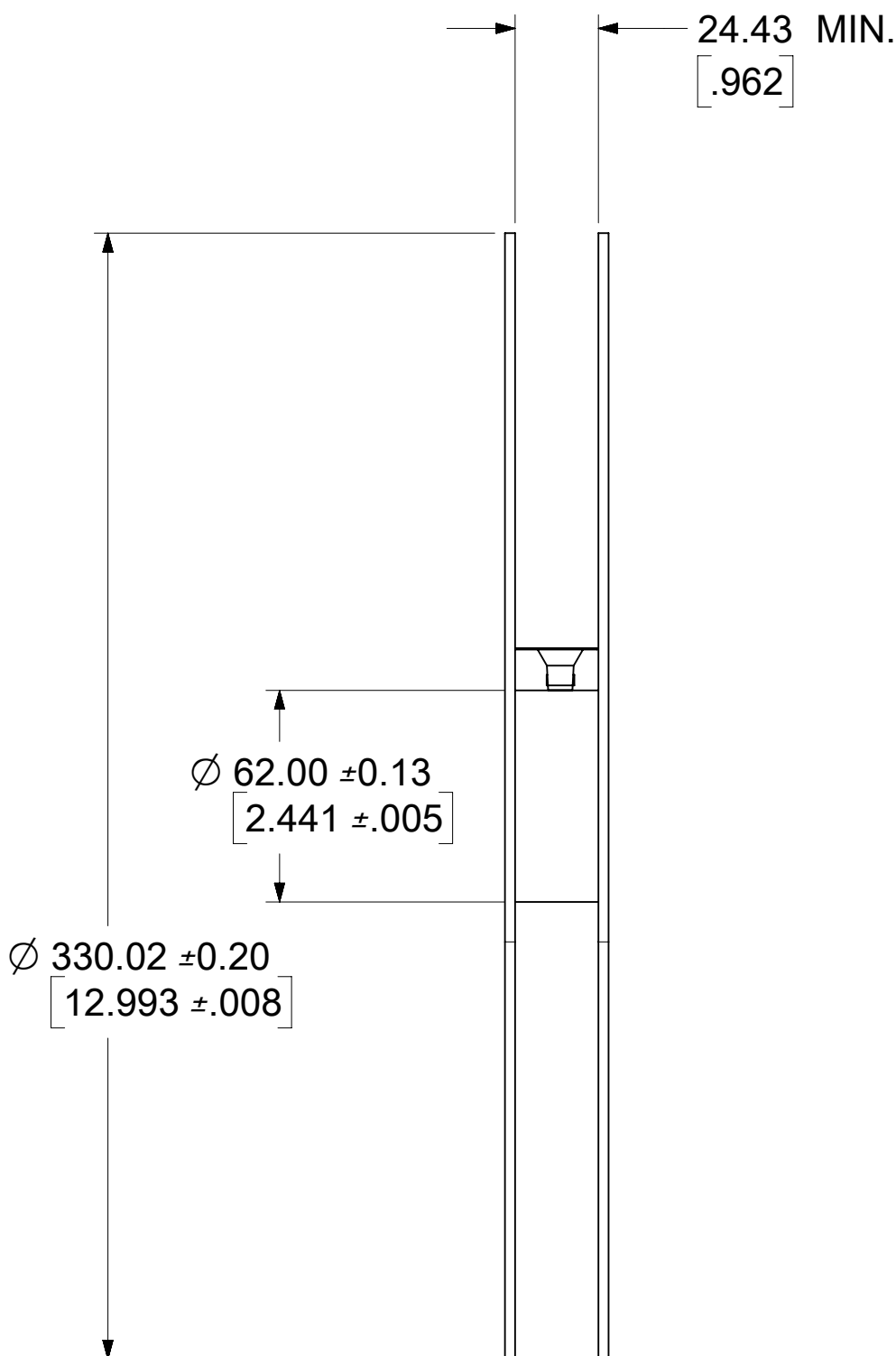
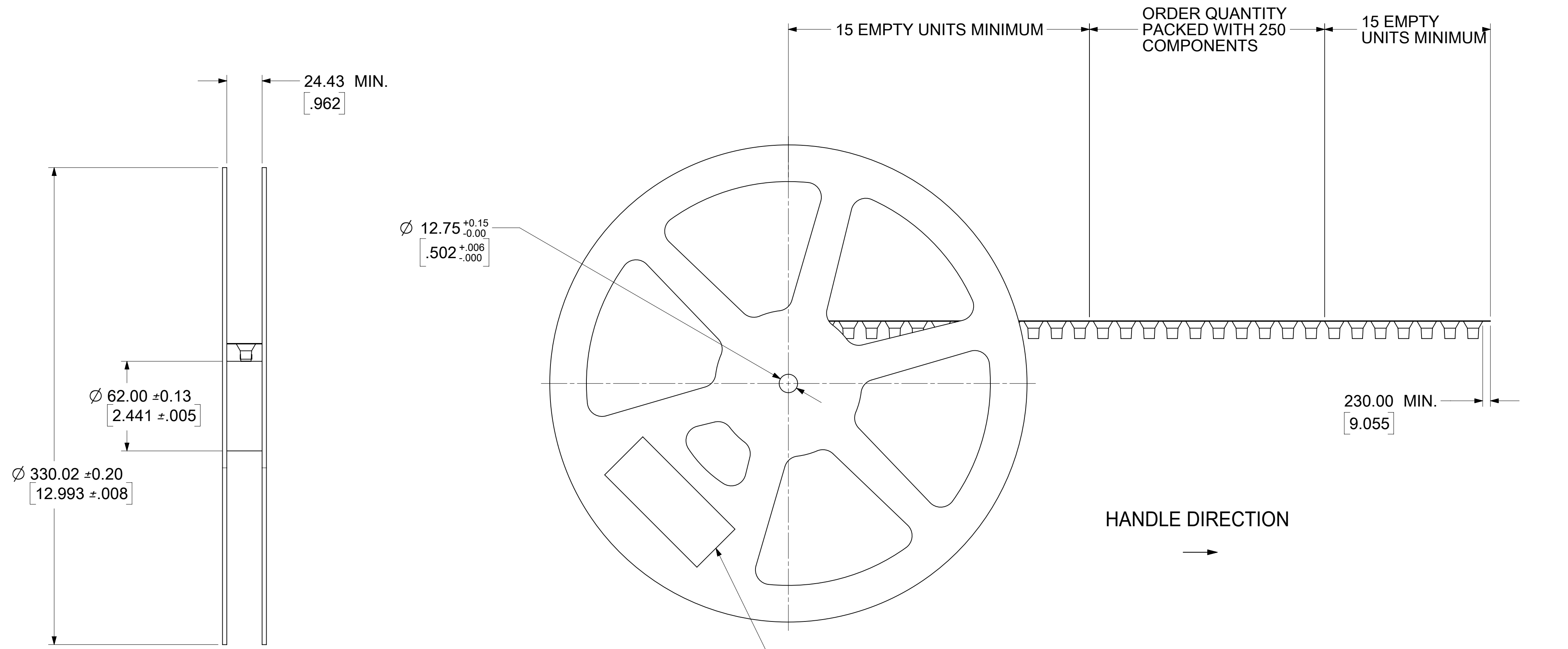
FUNCTIONAL SYMBOLS	THIS DRAWING CONTAINS INFORMATION THAT IS PROPRIETARY TO MOLEX ELECTRONIC TECHNOLOGIES, LLC AND SHOULD NOT BE USED WITHOUT WRITTEN PERMISSION				
	DIMENSION UNITS	SCALE	CURRENT REV DESC: EWR-13882-A ADDED 73396-0592 PART NO		
FA = 0	HYBRID	1:1	<p>molex</p> <p>SMB JACK, VERTICAL PCB 50 OHMS SMB-JR/PCB</p> <p>PRODUCT CUSTOMER DRAWING</p>		
EA = 0	GENERAL TOLERANCES (UNLESS SPECIFIED)				
EP = 0	ANGULAR TOL ± °				
DIVISIONAL SYMBOLS	4 PLACES	±	EC NO: 645598	2020/06/24	
	3 PLACES	±	DRWN: JSU18	2020/09/24	
	2 PLACES	±	CHK'D: YCHENG	2020/09/24	
	1 PLACE	±	APPR: YCHENG	2020/09/24	
0 PLACES	±	INITIAL REVISION:	DOCUMENT NUMBER		
DRAFT WHERE APPLICABLE MUST REMAIN WITHIN DIMENSIONS			DRWN: RFC_PLMIMP	2017/11/01	SD-73100-0207
THIRD ANGLE PROJECTION			APPR: JWIENER	2007/05/01	PSD 001 B5
DRAWING			SERIES	MATERIAL NUMBER	CUSTOMER
C-SIZE			73100	GENERAL MARKET	1 OF 4



Section 1-1



FUNCTIONAL SYMBOLS	THIS DRAWING CONTAINS INFORMATION THAT IS PROPRIETARY TO MOLEX ELECTRONIC TECHNOLOGIES, LLC AND SHOULD NOT BE USED WITHOUT WRITTEN PERMISSION														
	DIMENSION UNITS	SCALE	CURRENT REV DESC: EWR-13882-A ADDED 73396-0592 PART NO							molex					
$\frac{F}{A} = 0$	HYBRID	1:1	EC NO: 645598									SMB JACK, VERTICAL PCB 50 OHMS SMB-JR/PCB			
$\frac{F}{C} = 0$	GENERAL TOLERANCES (UNLESS SPECIFIED)		DRWN: JSU18 2020/06/24							PRODUCT CUSTOMER DRAWING					
$\frac{F}{P} = 0$	ANGULAR TOL ± °		CHK'D: YCHENG 2020/09/24									DOCUMENT NUMBER			
DIVISIONAL SYMBOLS	4 PLACES ±		APPR: YCHENG 2020/09/24							SD-73100-0207					
	3 PLACES ±		INITIAL REVISION:									DOC TYPE			
	2 PLACES ±		DRWN: RFC_PLMIMP 2017/11/01							DOC PART					
	1 PLACE ±		APPR: JWIENER 2007/05/01									REVISION			
0 PLACES ±		DRAFT WHERE APPLICABLE MUST REMAIN WITHIN DIMENSIONS		THIRD ANGLE PROJECTION		DRAWING		SERIES		MATERIAL NUMBER				CUSTOMER	
				C-SIZE		73100		GENERAL MARKET		PSD 001		B5		2 OF 4	



$\varnothing 12.75^{+0.15}_{-0.00}$
 $.502^{+.006}_{-.000}$

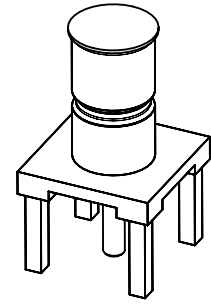
LABEL:
 - ORDER
 - QUANTITY
 - PART NUMBER
 - LOT NO.

HANDLE DIRECTION
 →

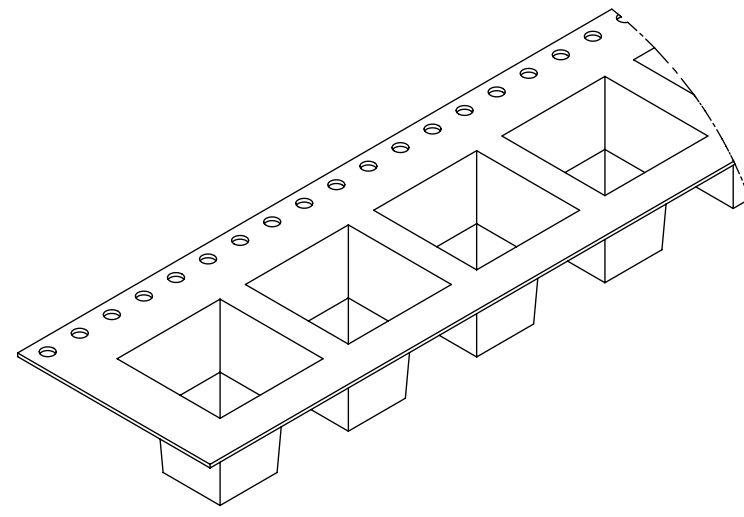
15 EMPTY UNITS MINIMUM | ORDER QUANTITY PACKED WITH 250 COMPONENTS | 15 EMPTY UNITS MINIMUM

230.00 MIN.
 [9.055]

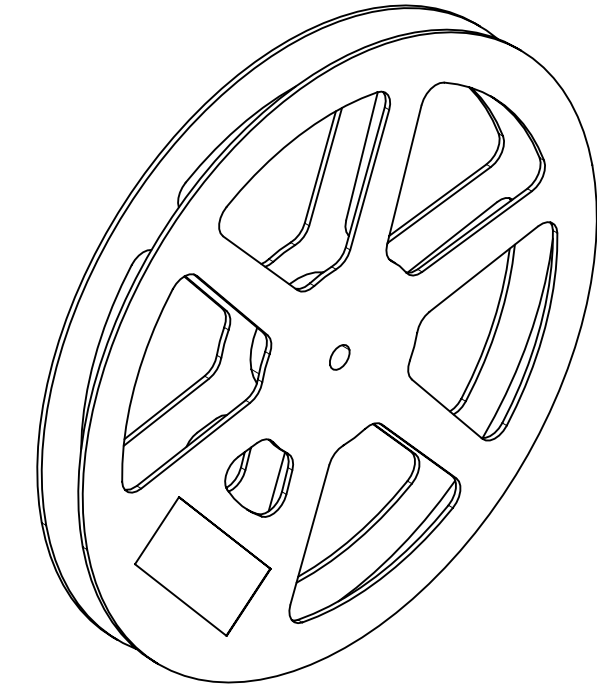
FUNCTIONAL SYMBOLS $\frac{F}{A} = 0$ $\frac{F}{C} = 0$ $\frac{F}{P} = 0$										THIS DRAWING CONTAINS INFORMATION THAT IS PROPRIETARY TO MOLEX ELECTRONIC TECHNOLOGIES, LLC AND SHOULD NOT BE USED WITHOUT WRITTEN PERMISSION											
DIMENSION UNITS HYBRID			SCALE 1:1			CURRENT REV DESC: EWR-13882-A ADDED 73396-0592 PART NO															
GENERAL TOLERANCES (UNLESS SPECIFIED)														EC NO: 645598							
ANGULAR TOL ± °										DRWN: JSU18 2020/06/24											
DIVISIONAL SYMBOLS										CHK'D: YCHENG 2020/09/24				SMB JACK, VERTICAL PCB 50 OHMS SMB-JR/PCB							
4 PLACES ±										APPR: YCHENG 2020/09/24				PRODUCT CUSTOMER DRAWING							
3 PLACES ±										INITIAL REVISION:				DOCUMENT NUMBER		DOC TYPE	DOC PART	REVISION			
2 PLACES ±										DRWN: RFC_PLMIMP 2017/11/01				SD-73100-0207		PSD	001	B5			
1 PLACE ±										APPR: JWIENER 2007/05/01				MATERIAL NUMBER		CUSTOMER		SHEET NUMBER			
0 PLACES ±										DRAFT WHERE APPLICABLE MUST REMAIN WITHIN DIMENSIONS		THIRD ANGLE PROJECTION		DRAWING		SERIES		GENERAL MARKET		3 OF 4	



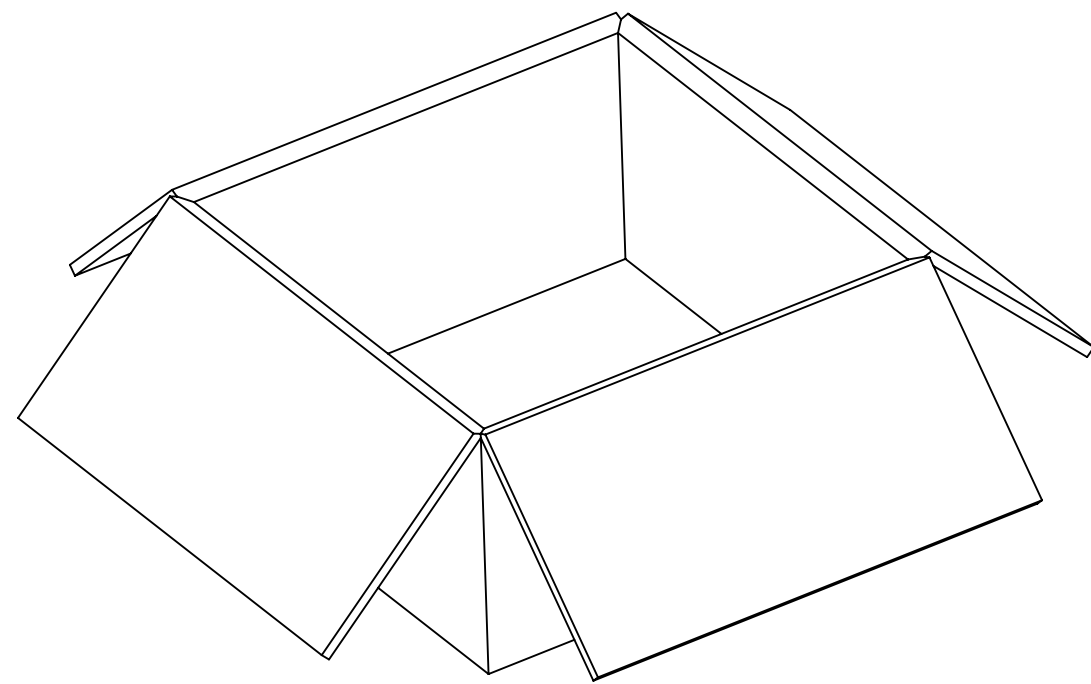
P/N: 73396-0592 ONLY



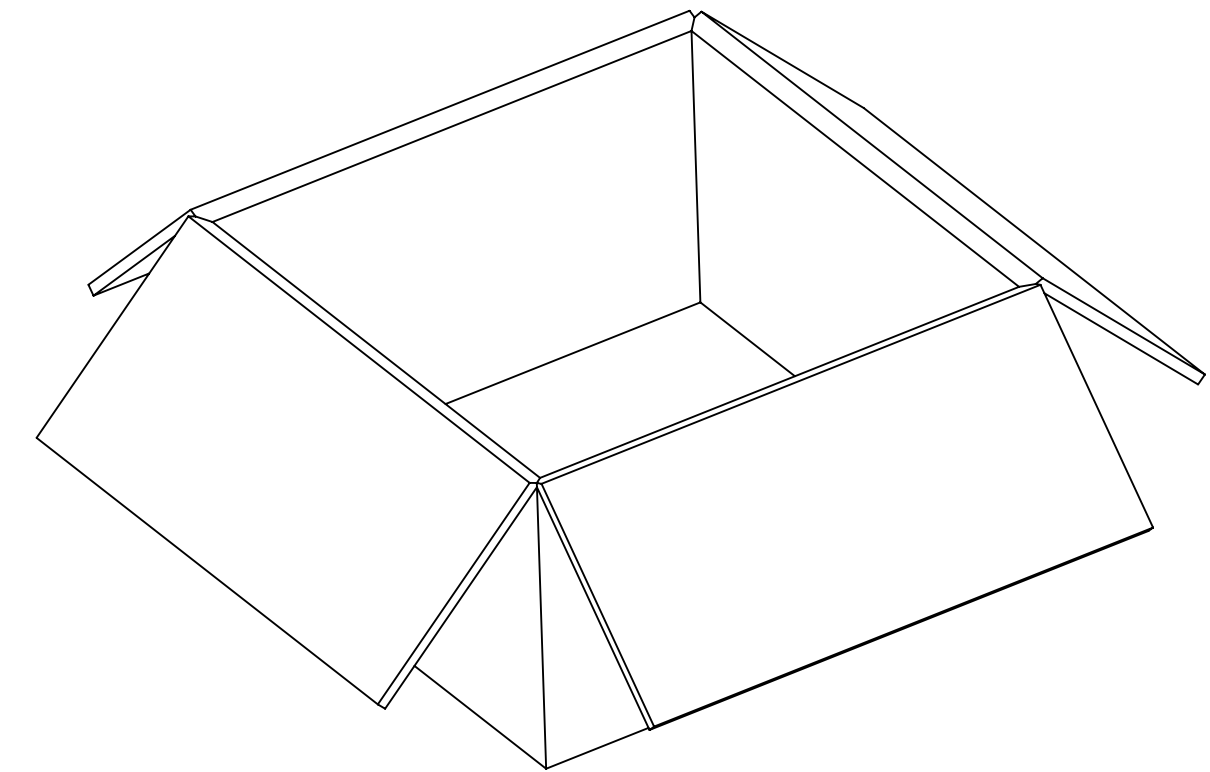
P/N: 89707-0467



250 SET PER 13" REEL



1250 SET PER INNER
CARTON BOX
343 X 343 X 188 REF.



1250 SET PER OUTER
CARTON BOX
394 X 391 X 212 REF.

FUNCTIONAL SYMBOLS	THIS DRAWING CONTAINS INFORMATION THAT IS PROPRIETARY TO MOLEX ELECTRONIC TECHNOLOGIES, LLC AND SHOULD NOT BE USED WITHOUT WRITTEN PERMISSION														
	DIMENSION UNITS	SCALE	CURRENT REV DESC: EWR-13882-A ADDED 73396-0592 PART NO								molex				
$\nabla_A = 0$	HYBRID	1:1	GENERAL TOLERANCES (UNLESS SPECIFIED)										SMB JACK, VERTICAL PCB 50 OHMS SMB-JR/PCB		
$\nabla_C = 0$	GENERAL TOLERANCES (UNLESS SPECIFIED)														
$\nabla_P = 0$	ANGULAR TOL \pm °		EC NO: 645598 DRWN: JSU18 2020/06/24 CHK'D: YCHENG 2020/09/24 APPR: YCHENG 2020/09/24								PRODUCT CUSTOMER DRAWING				
DIVISIONAL SYMBOLS	4 PLACES \pm														
	3 PLACES \pm		INITIAL REVISION: DRWN: RFC_PLMIMP 2017/11/01 APPR: JWIENER 2007/05/01								DOCUMENT NUMBER		DOC TYPE	DOC PART	REVISION
	2 PLACES \pm										SD-73100-0207		PSD	001	B5
	1 PLACE \pm		MATERIAL NUMBER		CUSTOMER		SHEET NUMBER								
	0 PLACES \pm		DRAFT WHERE APPLICABLE MUST REMAIN WITHIN DIMENSIONS		THIRD ANGLE PROJECTION	DRAWING	SERIES	GENERAL MARKET		4 OF 4					
						C-SIZE	73100								