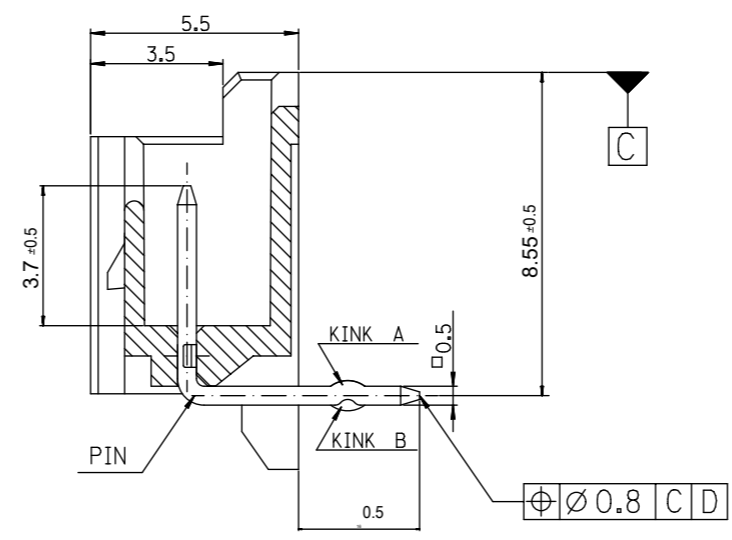
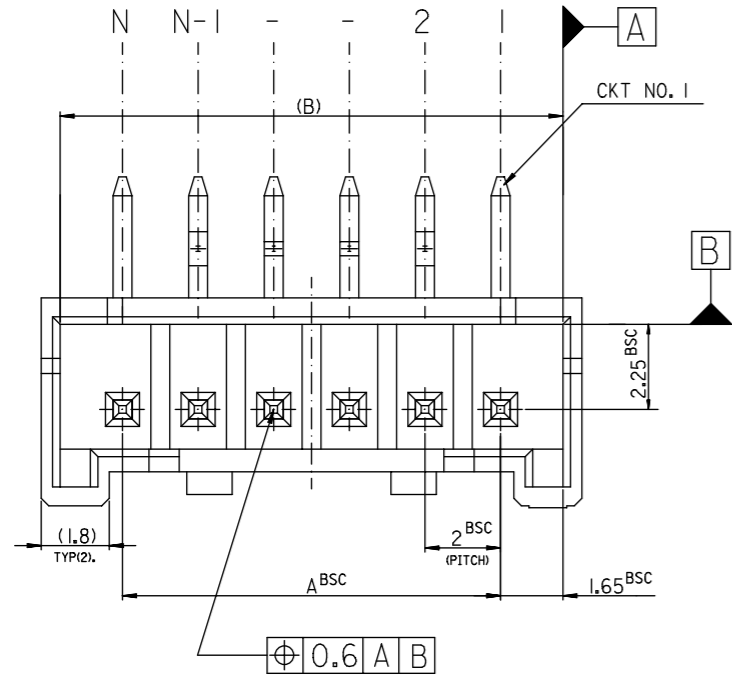
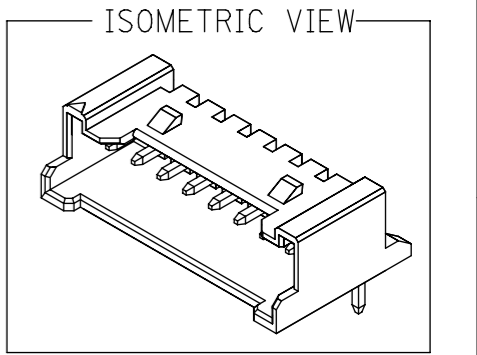


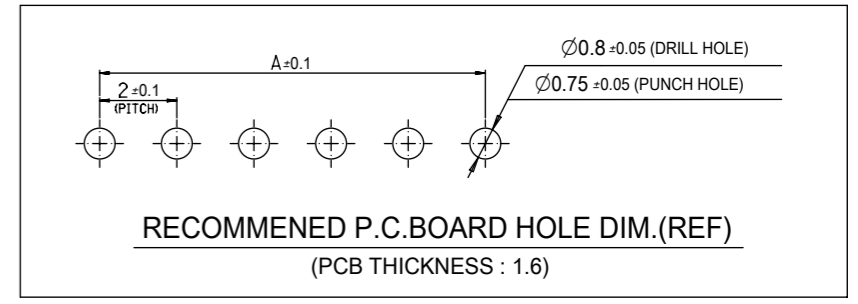
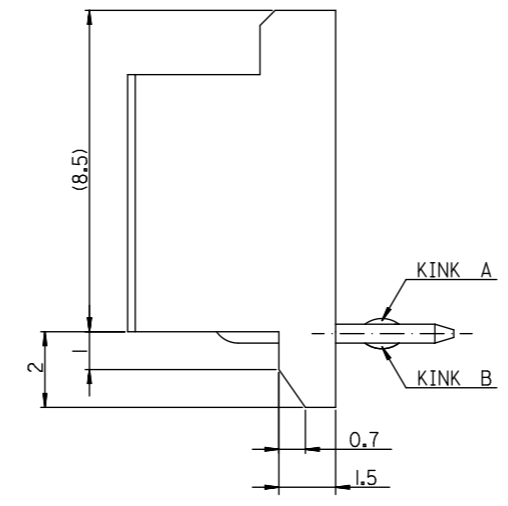
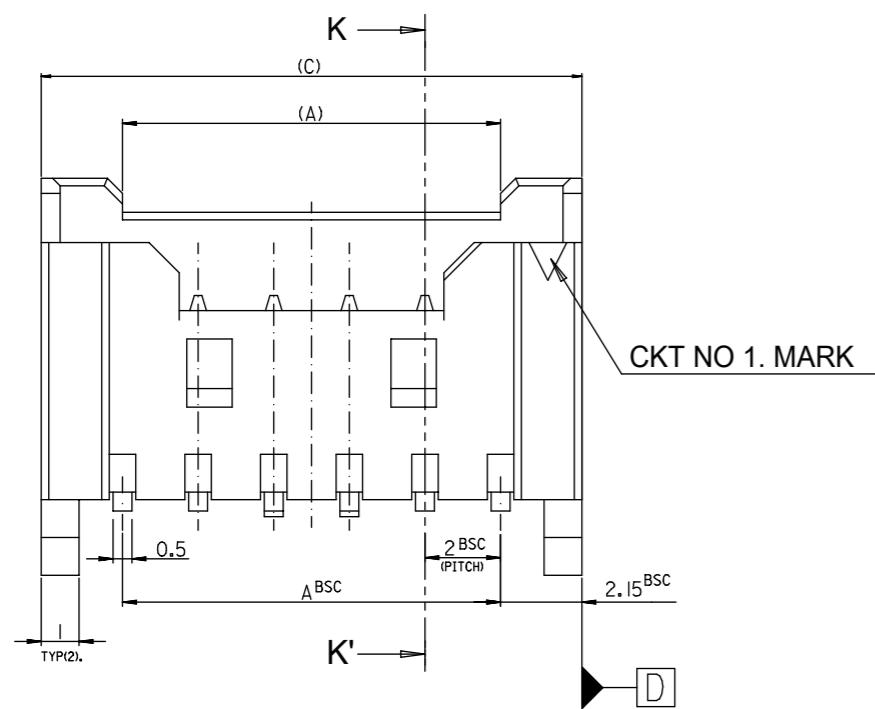
LEAD FREE



LEGEND

SD-35363-** 6 * COLOR

- 0 : NATURAL
- 1 : BLACK
- 2 : RED
- 3 : YELLOW
- 4 : BLUE
- 5 : GREEN



- NOTES
- MATERIAL : WAFER - UNFILLED POLYAMIDE, UL94V-0
PIN - BRASS
 - FINISHES : PIN - Tin(Sn) 1.0~3.0µm OVERALL
Cu 1.5~3.75µm OVERAL
 - PRODUCT SPECIFICATION : PS-35507-003
 - MATES WITH : HOUSING - 35507-**0*
TERMINAL - 50212-8000
 - KINK

CKT NO	1	2	3	4	5	N-2	N-1	N
6 CKT OVER	-	A	B	-	-	B	A	-
5 CKT	A	B	-	B	A			
4 CKT	A	B	B	A				

32.3	31.3	28	156*	- 156*	15
30.3	29.3	26	146*	- 146*	14
28.3	27.3	24	136*	- 136*	13
26.3	25.3	22	126*	- 126*	12
24.3	23.3	20	116*	- 116*	11
22.3	21.3	18	106*	- 106*	10
20.3	19.3	16	096*	-096*	9
18.3	17.3	14	086*	-086*	8
16.3	15.3	12	076*	-076*	7
14.3	13.3	10	066*	-066*	6
12.3	11.3	8	056*	-056*	5
10.3	9.3	6	35363046*	35363-046*	4
(C)	(B)	A	MATERIAL NO.	ENG. NO.	CKT

GENERAL TOLERANCE

30 over	±0.3
10 over 30 under	±0.25
10 under	±0.2
ANGLE	±3°

THIS DRAWING CONTAINS INFORMATION THAT IS PROPRIETARY TO MOLEX ELECTRONIC TECHNOLOGIES, LLC AND SHOULD NOT BE USED WITHOUT WRITTEN PERMISSION

FUNCTIONAL SYMBOLS: $\sqrt{A} = 0$, $\sqrt{E} = 0$, $\sqrt{F} = 0$

DIVISIONAL SYMBOLS: 4 PLACES ±, 3 PLACES ±, 2 PLACES ±, 1 PLACE ±, 0 PLACES ±

THIS DRAWING CONTAINS INFORMATION THAT IS PROPRIETARY TO MOLEX ELECTRONIC TECHNOLOGIES, LLC AND SHOULD NOT BE USED WITHOUT WRITTEN PERMISSION

SCALE: mm 5:1

GENERAL TOLERANCES (UNLESS SPECIFIED): ANGULAR TOL ± °

CURRENT REV DESC:

EC NO: 636378
DRWN: SCHONG03 2020/04/21
CHK'D: JBJIN 2020/04/23
APPR: YSKIM02 2020/04/23

INITIAL REVISION:
DRWN: DYJANG 2004/09/01
APPR: CHANGWOOLEE 2004/09/02

THIRD ANGLE PROJECTION

DRAFT WHERE APPLICABLE MUST REMAIN WITHIN DIMENSIONS

DRAWING: A3-SIZE

SERIES: 35363

MATERIAL NUMBER: SEE TABLE

CUSTOMER: GENERAL MARKET

SHEET NUMBER: 1 OF 1

EC NO: 636378
DRWN: SCHONG03 2020/04/21
CHK'D: JBJIN 2020/04/23
APPR: YSKIM02 2020/04/23

INITIAL REVISION:
DRWN: DYJANG 2004/09/01
APPR: CHANGWOOLEE 2004/09/02

PRODUCT CUSTOMER DRAWING

DOCUMENT NUMBER: SD-35363-002

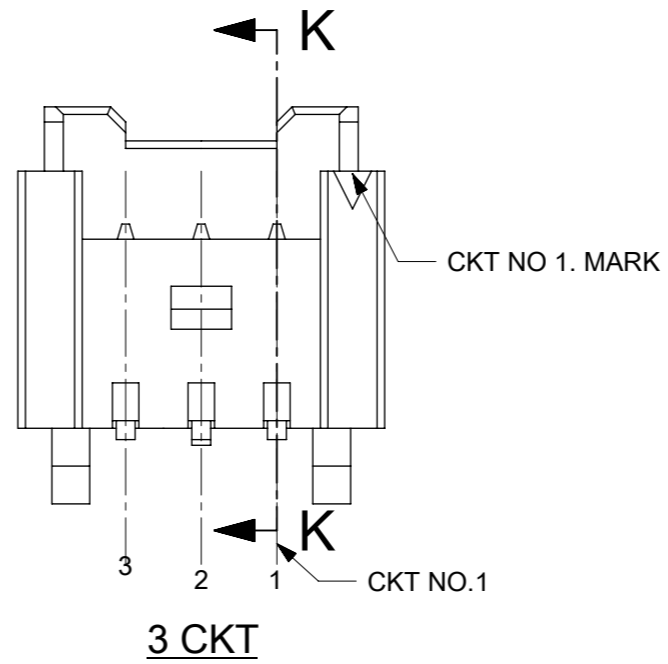
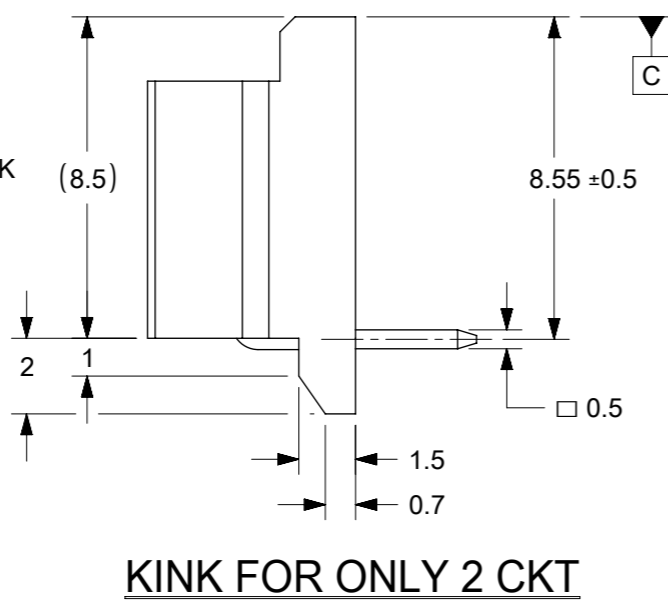
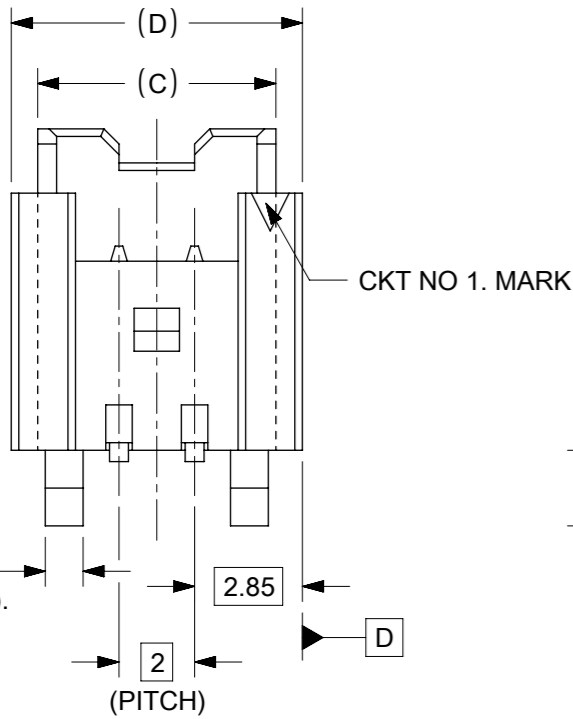
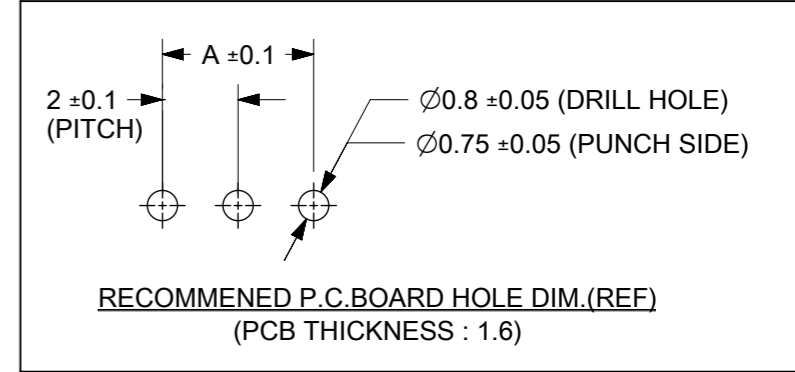
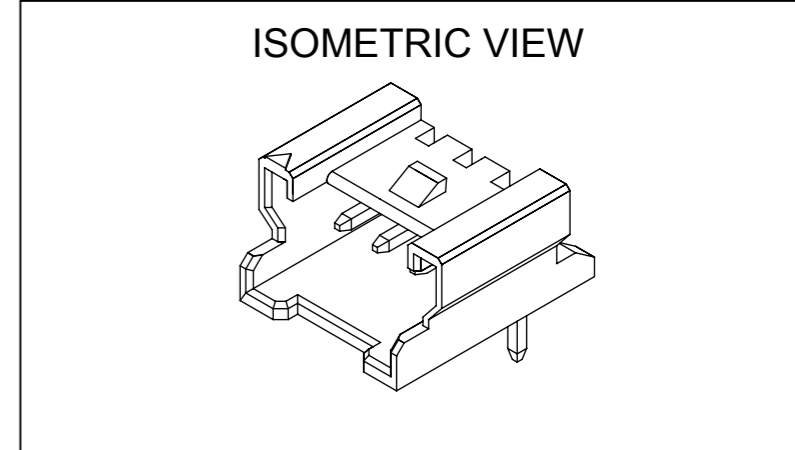
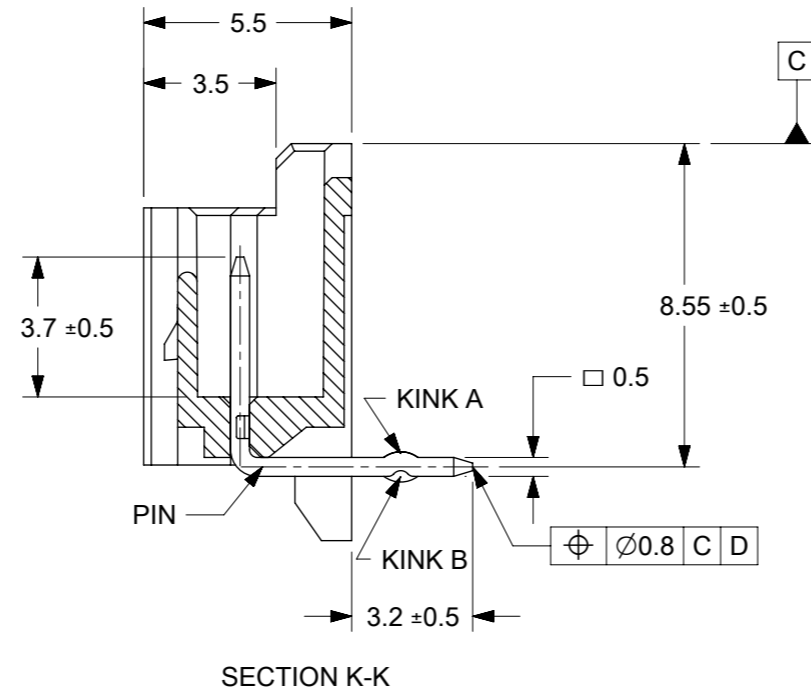
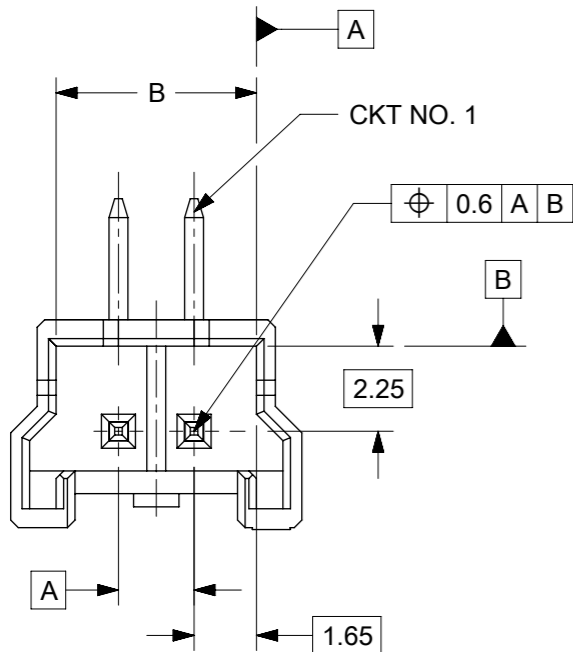
DOC TYPE: PSD

DOC PART: 001

REVISION: D3

molex

2.0 W/B WAFER R/A ASS'Y
-LEAD FREE-



LEGEND

SD-35363- ** 6 *

CKT NO. _____

LEAD FREE _____

COLOR

- 0 : NATURAL
- 1 : BLACK
- 2 : RED
- 3 : YELLOW
- 4 : BLUE
- 5 : GREEN

- NOTES**
- MATERIAL : WAFER - UNFILLED POLYAMIDE, UL94V-0
PIN - BRASS
 - FINISHES : PIN - Tin(Sn) 1.0~3.0µm OVERALL
Cu 1.5~3.75µm OVERALL
 - PRODUCT SPECIFICATION : PS-35507-003
 - MATES WITH : HOUSING - 35507-**0*
TERMINAL - 50212-8000
 - KINK

CKT NO / CKT	1	2	3
2 CKT	NONE KINK		
3 CKT	A	B	A

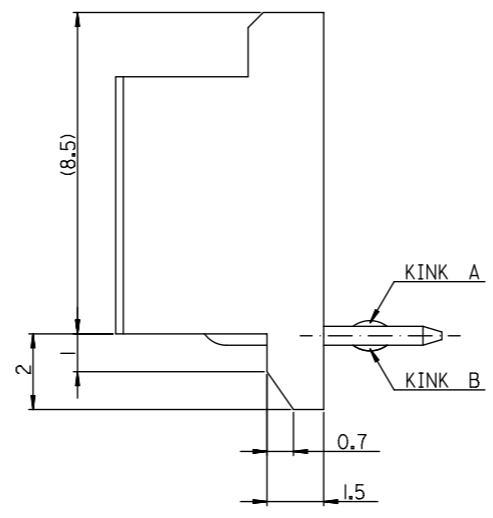
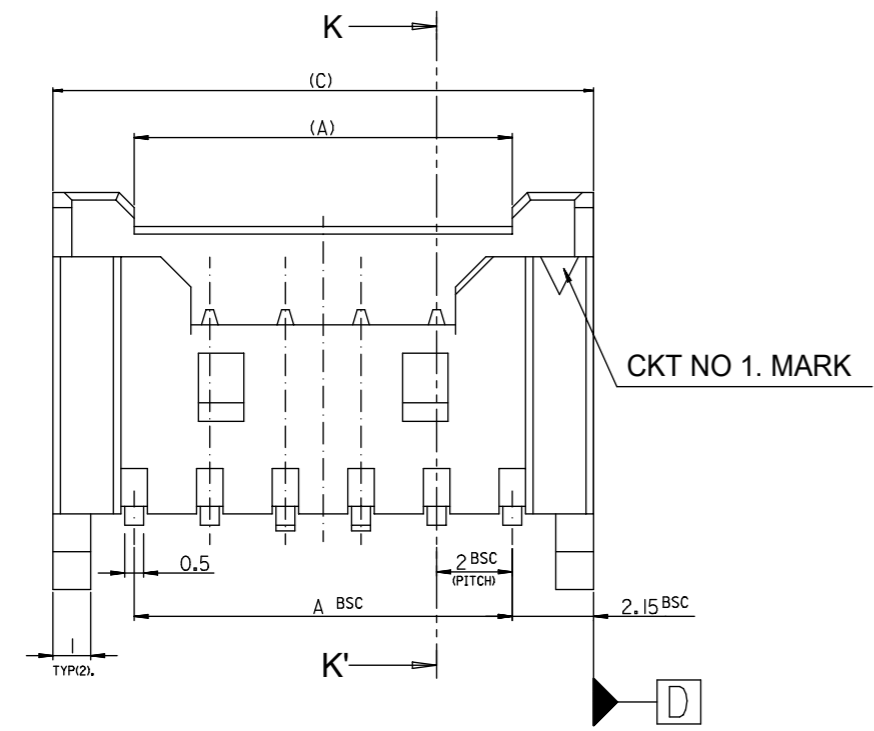
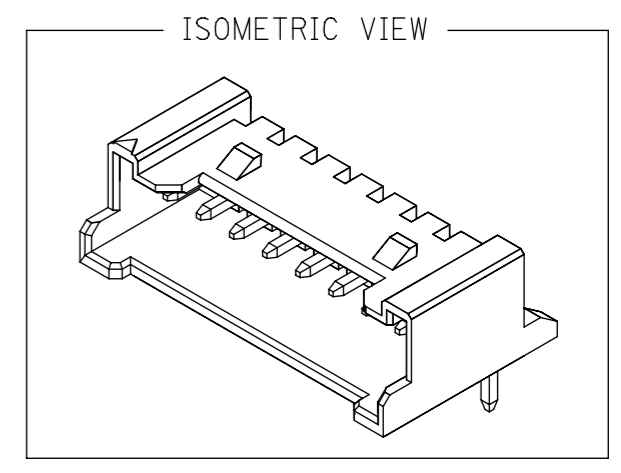
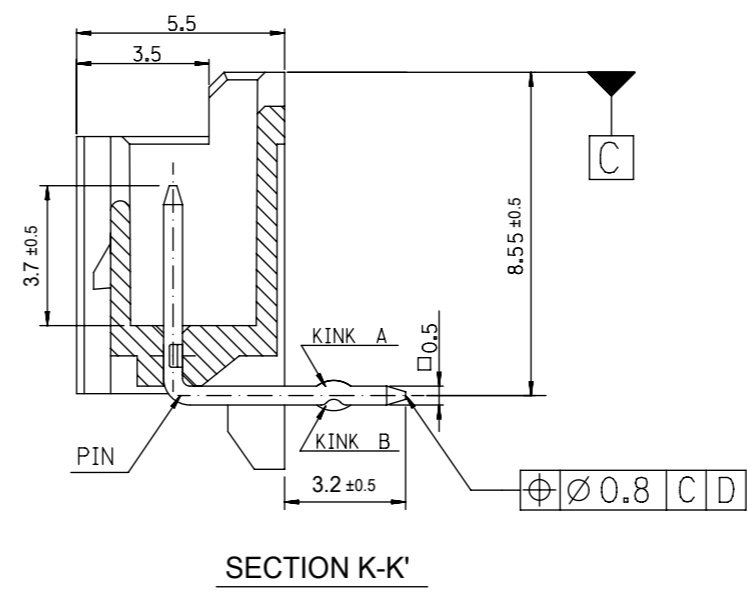
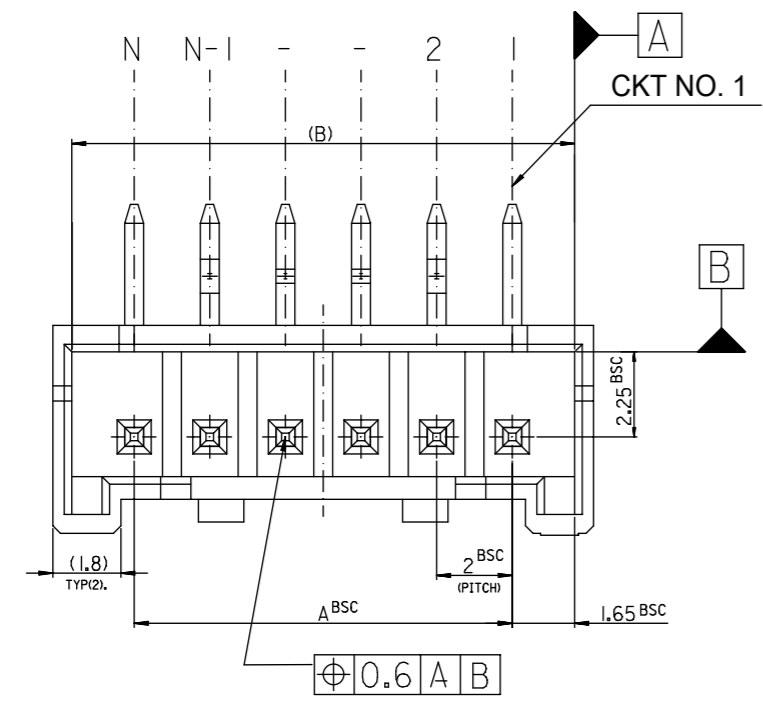
9.7	8.3	7.3	4	35363036*	35363-036*	3
7.7	6.3	5.3	2	35363026*	35363-026*	2
(D)	(C)	(B)	A	MATERIAL NO.	ENG. NO.	CKT

THIS DRAWING CONTAINS INFORMATION THAT IS PROPRIETARY TO MOLEX ELECTRONIC TECHNOLOGIES, LLC AND SHOULD NOT BE USED WITHOUT WRITTEN PERMISSION

30 over	±0.3	DIMENSION UNITS: mm SCALE: 5:1 GENERAL TOLERANCES (UNLESS SPECIFIED) ANGULAR TOL ± ° 4 PLACES ± 3 PLACES ± 2 PLACES ± 1 PLACE ± 0 PLACES ± DRAFT WHERE APPLICABLE MUST REMAIN WITHIN DIMENSIONS	EC NO: 663425 DRWN: KSUTAR 2021/04/29 CHK'D: SCHONG03 2021/05/11 APPR: JBJIN 2021/05/12 INITIAL REVISION: DRWN: DYJANG 2004/09/01 APPR: CHANGWOOLEE 2004/09/02	CURRENT REV DESC: REVISED PLATING THICKNESS UNITS		2.0 W/B WAFER R/A ASS'Y -LEAD FREE- PRODUCT CUSTOMER DRAWING
10 over 30 under	±0.25					
10 under	±0.2					
ANGLE	±3°					
GENERAL TOLERANCE						

DOCUMENT NUMBER	DOC TYPE	DOC PART	REVISION
SD-35363-002	PSD	002	D3
MATERIAL NUMBER	CUSTOMER	SHEET NUMBER	
SEE TABLE	GENERAL MARKET	1 OF 1	

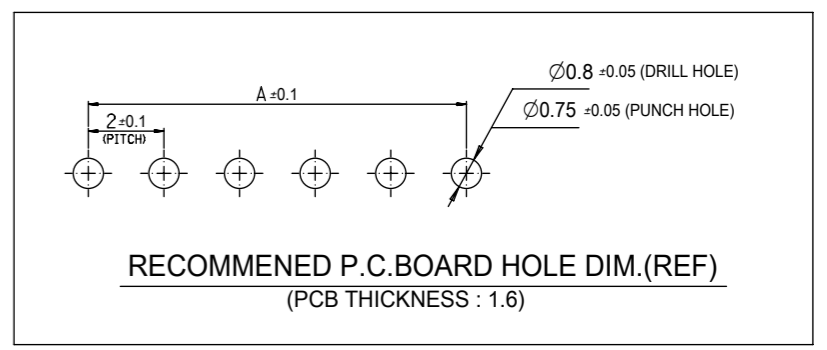
LEAD FREE



LEGEND

SD-35363-*** 6 * COLOR

- 0 : NATURAL
- 1 : BLACK
- 2 : RED
- 3 : YELLOW
- 4 : BLUE
- 5 : GREEN



- NOTES
- MATERIAL : WAFER - UNFILLED POLYAMIDE, UL94V-0
PIN - BRASS
 - FINISHES : PIN - Tin(Sn) 1.0~3.0m OVERALL
Cu 1.5~3.75m OVERAL
 - PRODUCT SPECIFICATION : PS-35507-003
 - MATES WITH : HOUSING - 35507-**0*
TERMINAL - 50212-8000
 - KINK

CKT	CKT NO	1	2	3	4	N-3	N-2	N-1	N
20	-	A	B	-	-	B	A	-	-

42.3	41.3	38	35363206*	35363-206*	20
(C)	(B)	A	MATERIAL NO.	ENG. NO.	CKT

THIS DRAWING CONTAINS INFORMATION THAT IS PROPRIETARY TO MOLEX ELECTRONIC TECHNOLOGIES, LLC AND SHOULD NOT BE USED WITHOUT WRITTEN PERMISSION DIMENSION UNITS: mm SCALE: 5:1		CURRENT REV DESC:			
GENERAL TOLERANCES (UNLESS SPECIFIED)		EC NO: 605910			
30 over	±0.3	DRWN: JSSHIN 2018/10/11		2.0 W/B WAFER R/A ASS'Y -LEAD FREE-	
10 over 30 under	±0.25	CHK'D: SHCHU 2018/10/15			
10 under	±0.2	APPR: YSKIM02 2018/10/16		PRODUCT CUSTOMER DRAWING	
ANGLE	±3°	INITIAL REVISION:			
GENERAL TOLERANCE		DRWN: DYJANG 2004/09/01		DOCUMENT NUMBER: SD-35363-002	
		APPR: CHANGWOOLEE 2004/09/02		DOC TYPE: PSD	
		DRAFT WHERE APPLICABLE MUST REMAIN WITHIN DIMENSIONS		DOC PART: 003	
		THIRD ANGLE PROJECTION		REVISION: D2	
		DRAWING: A3-SIZE		SHEET NUMBER: 1 OF 1	
		SERIES: 35363		MATERIAL NUMBER: SEE TABLE	
		CUSTOMER: GENERAL MARKET			

DOCUMENT STATUS	RELEASE DATE
-----------------	--------------