

S CN HB - J 1 1 75 - SO RGM

SUNTSU

CONNECTOR

HD BNC

Connector Type
Jack

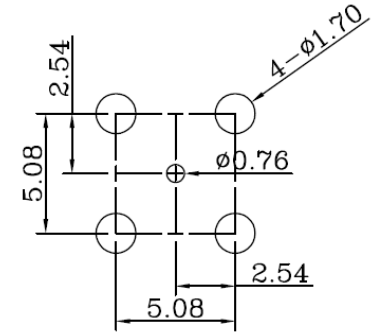
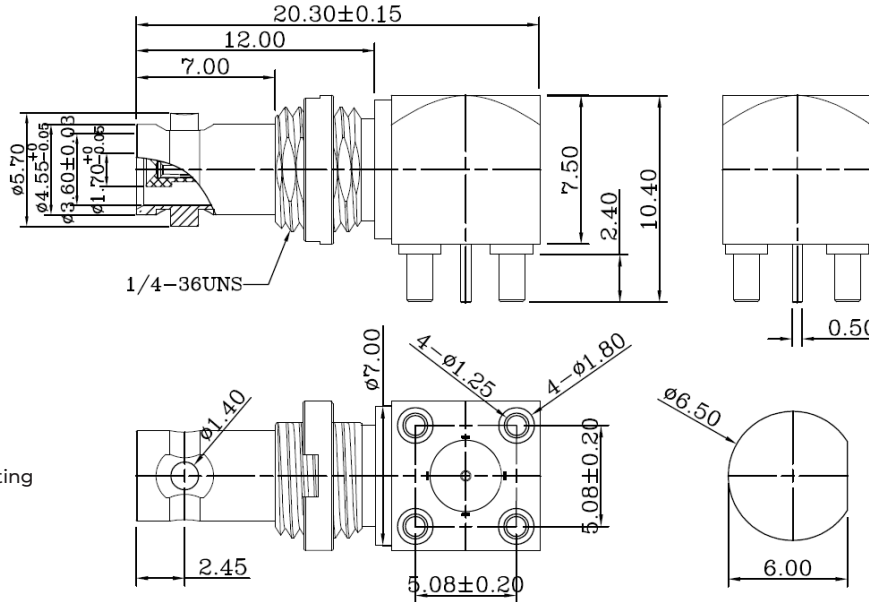
Rows

Connectors
per Row

Impedance
75

Contact Termination
Solder

Mounting Style
Right Angle Gold
Bulkhead PCB
Mount



**Recommended
Mounting
Layout**

1. Materials

- a) Body and Housing: Brass, Gold Plating
- b) Nut: Brass, Nickel Plating
- c) Contact: BeCu, Gold Plating
- d) Insulators: PTFE, Natural

2. Electrical

- a) Impedance: 75Ω
- b) Frequency Range: DC 0-6GHz
- c) Return Loss: -15.17dB @DC 6GHz
- d) Dielectric Withstanding Voltage: 1000VEFF
- e) Insulation Resistance: 5,000MΩ

3. Mechanical

- a) Durability: 500 Cycles Min.
- b) Contact Retention: 15 nMin.
- c) Operating Temperature: -55°C ~ 155°C
- d) B.I.P Rating (Mated): IP64



**HD BNC FEMALE RIGHT
ANGLE PCB MOUNT**

Document History				Part No.	Drawn
Edits Made	Date	Edited By	Approved By	SCNHB-11175-SORGM	B. Gibbons 09/19/2022
Initial Release	09/19/2022	B. Gibbons	KH Mun	Scale	Tolerance
				Unit	0.5-15 = ±0.15 15-30 = ±0.30 30-120 = ±0.60 >120 = ±1.00
				mm	Pages