

6

5

4

3

2

1

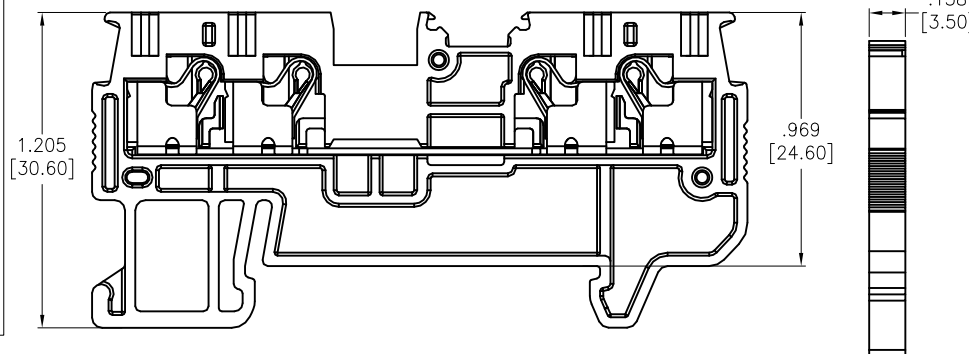
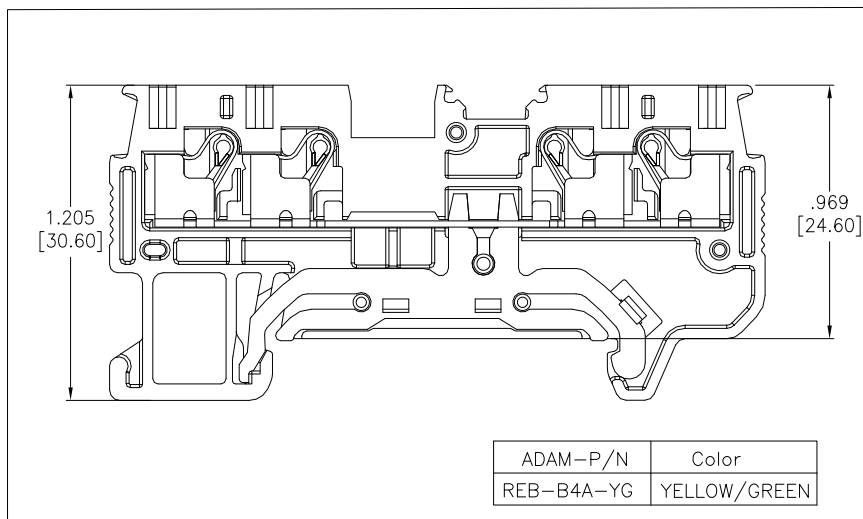
APPROVED: _____

DATE: _____ TITLE: _____

Rev	AWO #	Description	Date	Appr
-		RELEASED	10/7/22	

D

D



C

C

B

B

SPECIFICATIONS:

Material:

Insulator: PA66, rated UL 94V-0

Insulator Color: See Chart

Contacts: Copper Alloy, Tin Plated

Electrical:

Voltage rating: 300 VAC

Current rating: 15 Amp

Dielectric withstanding voltage: 1600 VAC for 1 minute

Mechanical:

Wire range : 26-14 #AWG

Flexible: 0.2-1.5

Stripping Length: 8-10

Temperature Rating:

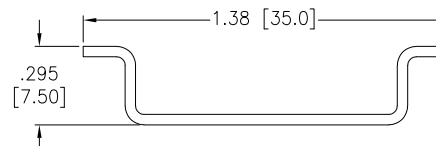
Operating temperature: -40°C to +105°C

Environmental:

Lead free, RoHS compliant.



RECOMMENDED RAIL SIZE
35.0mm X 7.5mm



ADAM-P/N	Color
REB-B4A-OR	ORANGE
REB-B4A-BU	BLUE
REB-B4A-GY	GRAY
REB-B4A-YG	YELLOW/GREEN

A

A

UNLESS OTHERWISE SPECIFIED ALL DIMENSIONS ARE INCHES [MM]. TOLERANCES: EXCEPT AS NOTED					909 Rahway Avenue, Union, NJ 07083														
<table border="1"> <tr> <td>INCHES</td> <td></td> <td>HOLES</td> </tr> <tr> <td>.X</td> <td>± .10</td> <td>ØX</td> <td>± .10</td> </tr> <tr> <td>.XX</td> <td>± .020</td> <td>ØXX</td> <td>± .015</td> </tr> <tr> <td>.XXX</td> <td>± .015</td> <td>ØXXX</td> <td>± .010</td> </tr> </table>					INCHES		HOLES	.X	± .10	ØX	± .10	.XX	± .020	ØXX	± .015	.XXX	± .015	ØXXX	± .010
INCHES		HOLES																	
.X	± .10	ØX	± .10																
.XX	± .020	ØXX	± .015																
.XXX	± .015	ØXXX	± .010																
DRAWN			JJ		10/7/22														
CHECKED			RC		10/7/22														
APPROVED																			
THIS DRAWING CONTAINS INFORMATION THAT IS PROPRIETARY AND SHOULD NOT BE USED WITHOUT PRIOR WRITTEN PERMISSION FROM ADAM TECH			TITLE		DIN RAIL TERMINAL BLOCKS, GUV 4 HOLE, 1.5 FLEXIBLE														
SIZE		PART NO.		REV.															
X		REB-B4A-XX		A															
REF: S00067C		SCALE: NTS		SHEET 1 OF 1															

6

5

4

3

2

1