



ELECTRONICS, INC.
 44 FARRAND STREET
 BLOOMFIELD, NJ 07003
 (973) 748-5089
<http://www.nteinc.com>

NTE30100 LED – Dual Color 3mm High Efficiency Red/Yellow Green

Features:

- RoHS Compliant
- White Diffused Lens
- Common Cathode Pin Configuration

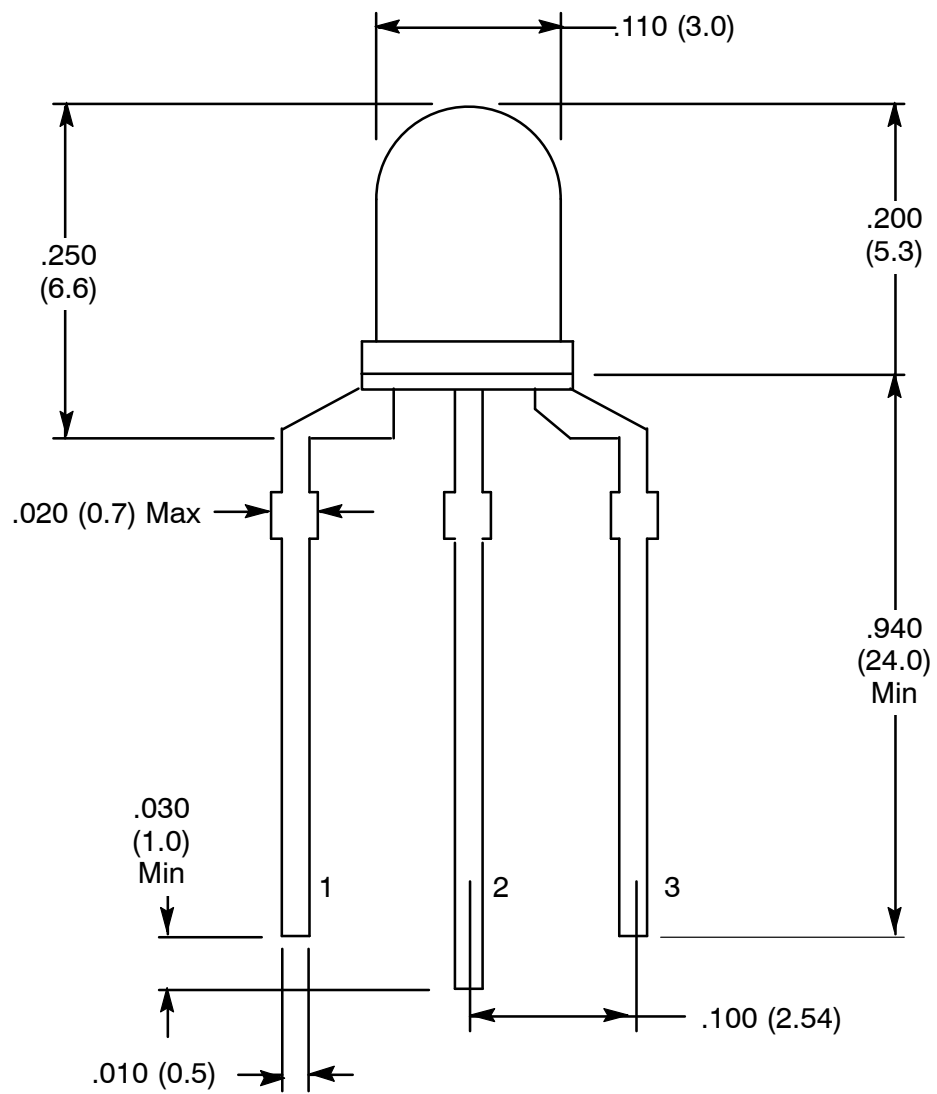
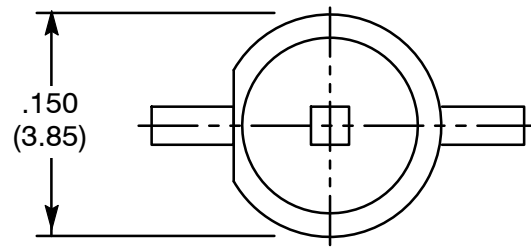
Absolute Maximum Ratings: ($T_A = +25^\circ\text{C}$ unless otherwise specified)

Power Dissipation, P_D	100mW
Continuous Forward Current, I_F	
High-Efficiency Red	30mA
Yellow Green	25mA
Peak Forward Current (1/10 Duty Ratio, 0.1ms Pulse Width), I_{FM}	80mA
Reverse Voltage ($I_R = 100\mu\text{A}$), V_R	5V
Operating Temperature Range, T_{opr}	-40°C to $+100^\circ\text{C}$
Storage Temperature Range, T_{stg}	-40°C to $+100^\circ\text{C}$
Lead Temperature (During Soldering, 3mm from body, 5sec max), T_L	$+260^\circ\text{C}$

Electro-Optical Characteristics: ($T_A = +25^\circ\text{C}$ unless otherwise specified)

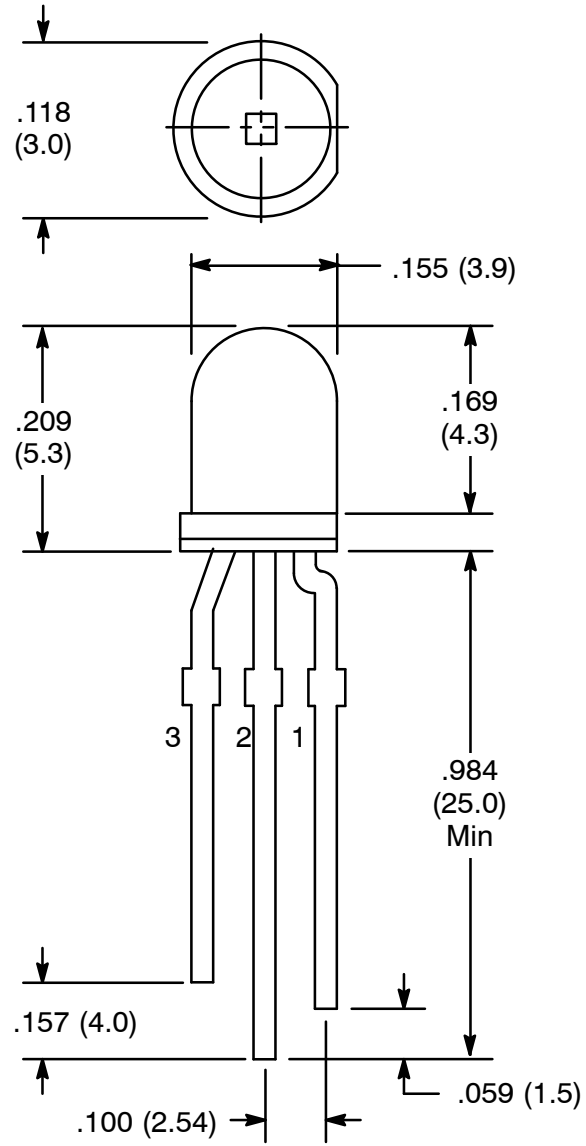
Parameter	Symbol	Test Conditions	Min	Typ	Max	Unit
View Angle of Half Power	θ	$I_F = 20\text{mA}$	-	40	-	deg
Forward Voltage	V_F	$I_F = 20\text{mA}$	1.8	2.0	2.6	V
High Efficiency Red						
Yellow-Green			1.9	2.1	2.6	V
Luminous Intensity	I_V	$I_F = 20\text{mA}$	150	200	250	mcd
High Efficiency Red						
Yellow-Green			60	80	100	mcd
Dominate Wave Length	λ_d	$I_F = 20\text{mA}$	630	-	635	nm
High Efficiency Red						
Yellow-Green			570	-	575	nm
Peak Emission Wavelength	λ_p	$I_F = 20\text{mA}$	-	635	-	nm
High Efficiency Red						
Yellow-Green			-	575	-	nm
Spectral Line Half-Width	$\Delta\lambda$	$I_F = 20\text{mA}$	-	30	-	nm
High Efficiency Red						
Yellow-Green			-	30	-	nm
Reverse Current	I_R	$V_R = 5\text{V}$	-	-	10	μA





- 1. Red +
- 2. Common Cathode Lead -
- 3. Green +

Alternate Package



- 1. Red +
- 2. Common Lead -
- 3. Green +