

# **Instruction manual for Evaluation Board of TB62262FTG**

May 10, 2015

Re v.1.0

## 【Outline】

The TB62262 is a two-phase bipolar stepping motor driver using a PWM chopper. CLK-IN control system and BiCD process are adopted. Rating of 40V and 1.8A is realized.

This evaluation board mounts necessary components to evaluate the IC. Each excitation drive of full step, half step and quarter step can be run with PWM constant current drive. Please sense low noise and low vibration of the stepping motor.

## 【Note】

In using, please be careful about thermal condition sufficiently. As for each control signal, please refer to the IC specification by accessing to the below URL.

<http://toshiba.semicon-storage.com/us/product/linear/motordriver/detail.TB62262FTG.html>

Further, the application of this evaluation board is limited to the purpose of evaluating and learning the motor control. Please do not ship them to a market.

# Connection to Evaluation board

## Corresponding table

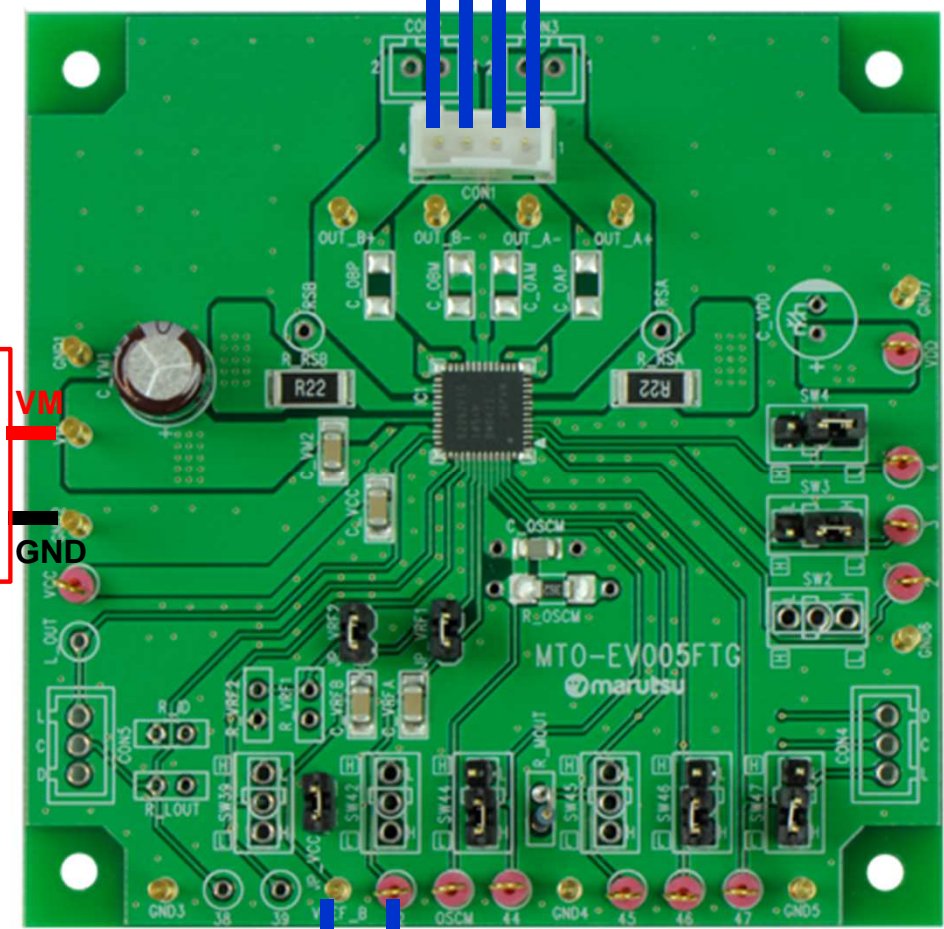
### (Silk name vs. Signal name)

(Note) Silk name and signal name on the board are different because the series products have the common board.

Silk name	Signal name
L_OUT	NC
38	NC
39	NC
VREFB	VREFB
42	VREFA
OSCM	OSCM
44	CW/CCW
45	MO
46	DMODE1
47	DMODE2
2	CLK
3	ENABLE
4	RESET

Power source of VM (10V to 47V)

Two-phase bipolar type Stepping motor

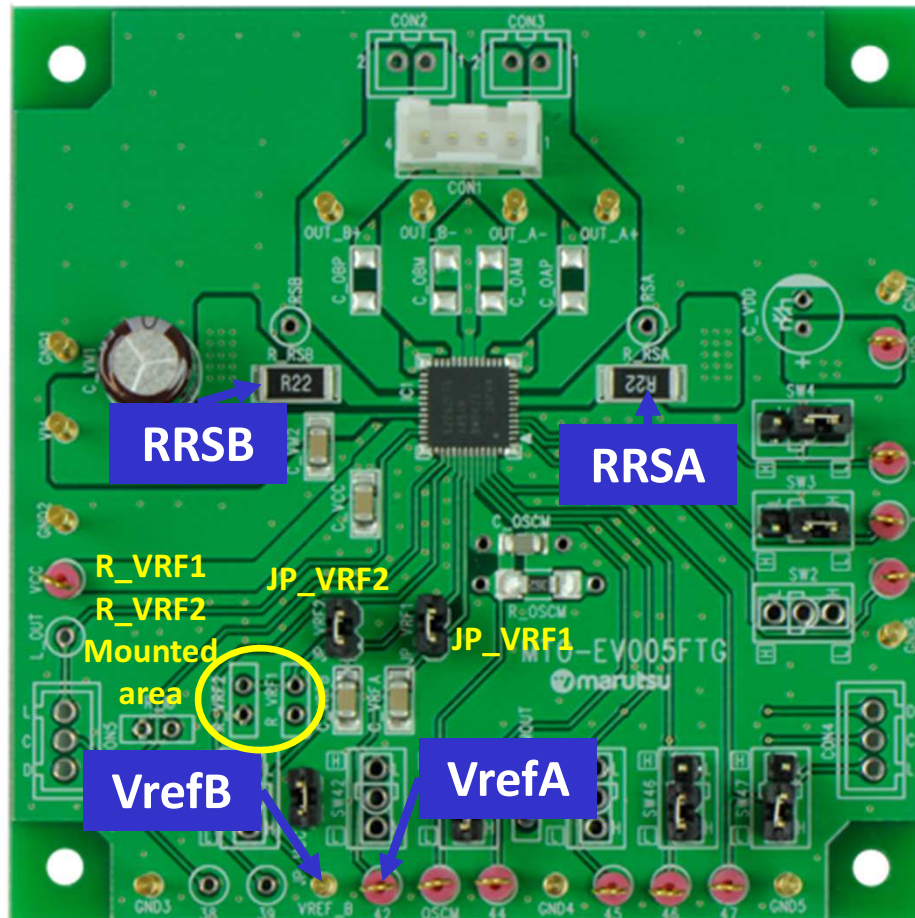


VrefB(for B-axis) VrefA(for A-axis)

Reference voltage for motor current set Vref (0V to 3.6V)

# Setting evaluation board1

## Setting motor current



## Setting motor current

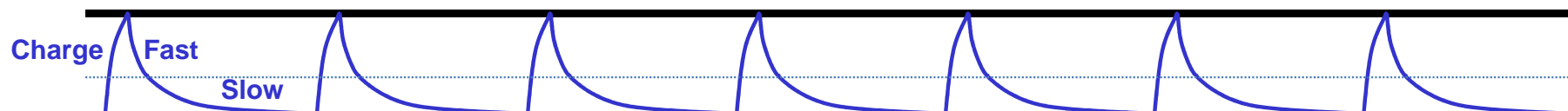
$$I_{out(max)} = VREF(gain) \times \frac{Vref(V)}{RRS(\Omega)}$$

VREF(gain):Decay ratio of VREF: 1/5.0 (typ.)

RRS=0.22Ω

VREF of A-axis and B-axis are made common by short the jumper (JP\_VRF1) and the both voltages are possible to input from VREFA pin. And Vref can be generated from the internal regulator (VCC) by mounting the divider resistance to R\_VRF1 and R\_VRF2 and short-circuiting JP\_VRF2.

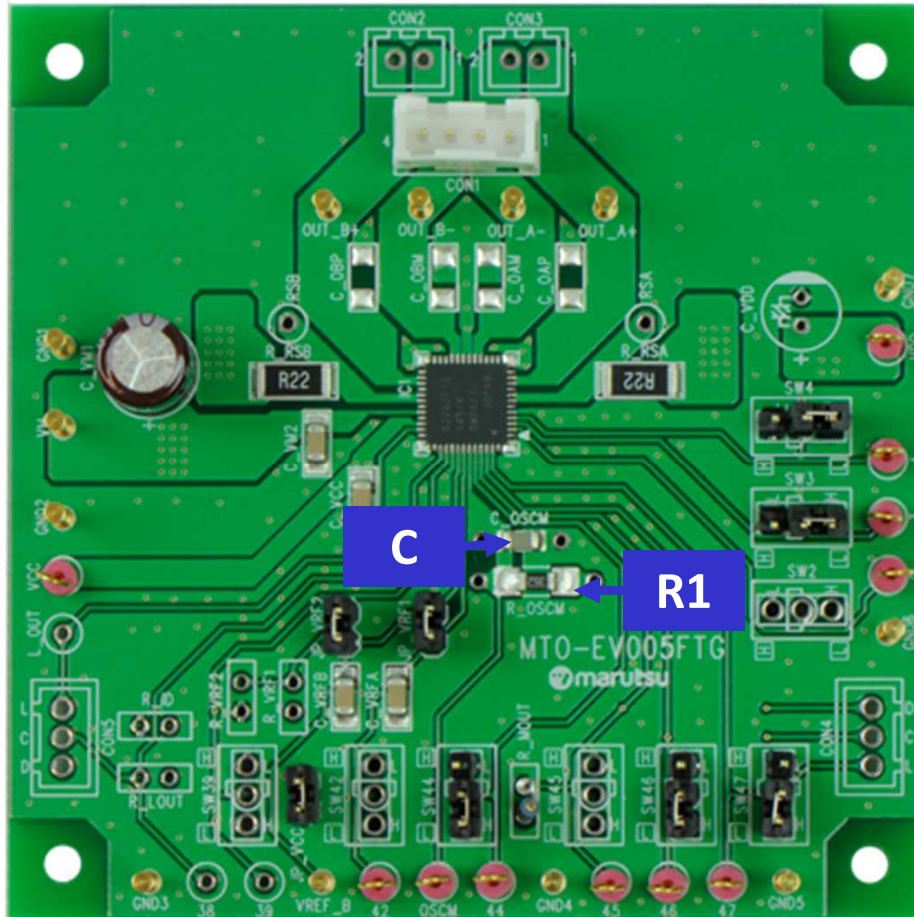
## Waveform of motor current



## Current value of setting motor

# Setting evaluation board2

## Setting chopping frequency of the constant current of the motor



### Formula of setting chopping frequency

$$f_{OSCM} = 1 / [0.56 \times \{C \times (R1 + 500)\}]$$

$$f_{chop} = f_{OSCM} / 16$$

Recommended frequency range:

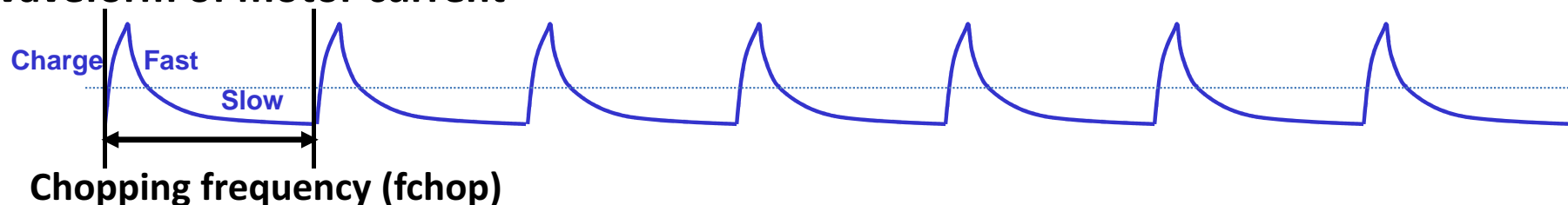
$f_{chop}$ =40kHz to 150kHz

100kHz configuration

Mounted parts are as follows;

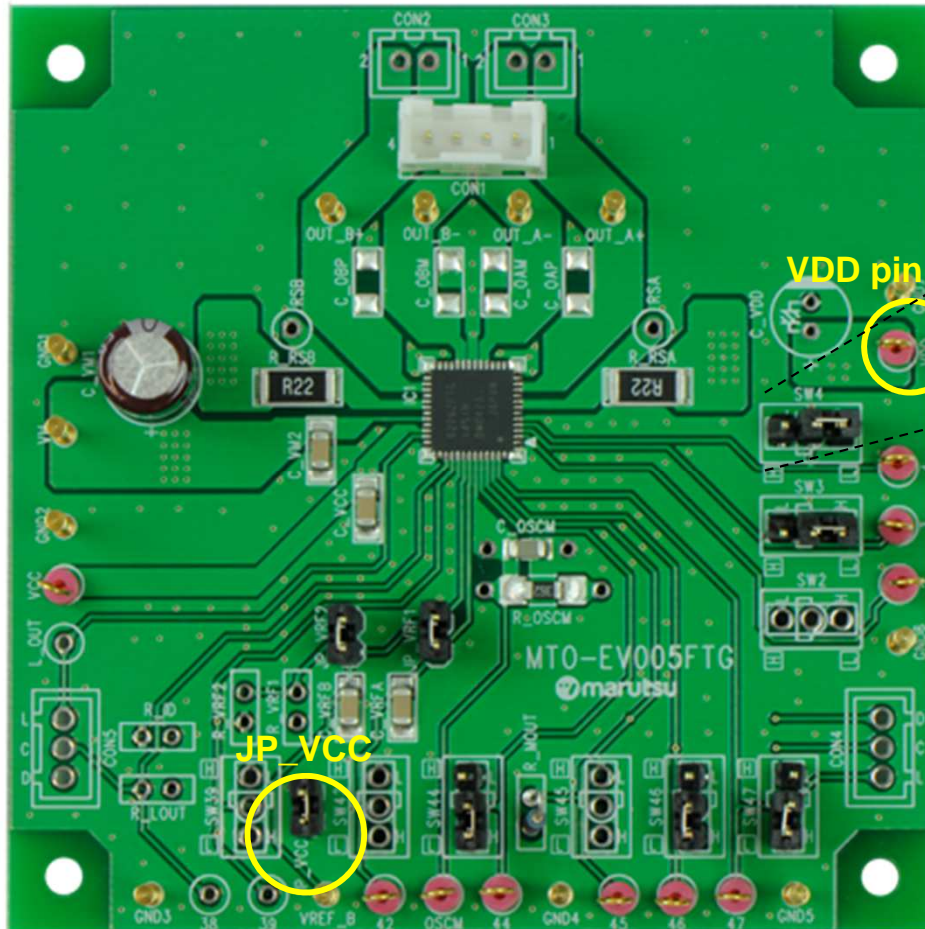
Capacitor (C=270pF), Resistance (R1=3.6kΩ)

### Waveform of motor current

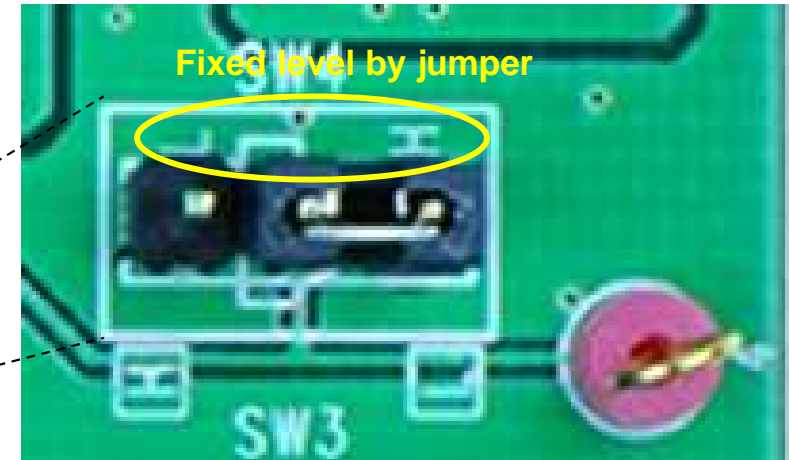


# Setting evaluation board3

## Setting motor operation



【Enhanced figure of jumper part】



Jumper indicated above is adopted on this evaluation board to set operation of the TB62262FTG.

To select the function by the jumper, short-circuit JP\_VCC or supply the voltage of high level by VDD pin.

In above, fixed level of the silk near the jumper is indicated inside the white frame. Please change the short position according to the configuration of the usage function.

In case of inputting the signal externally, please remove the short pin.

