

Sensor/actuator cable - SAC-12P-15,0-PVC/FS SCO - 1568321


Please be informed that the data shown in this PDF Document is generated from our Online Catalog. Please find the complete data in the user's documentation. Our General Terms of Use for Downloads are valid (<http://phoenixcontact.com/download>)



Sensor/actuator cable, 12-position, PVC, black RAL 9005, free cable end, on Socket straight M12 SPEEDCON, A-coded, cable length: 15 m



Key Commercial Data

Packing unit	1 pc
Minimum order quantity	25 pc
GTIN	 4 046356 337038
GTIN	4046356337038

Technical data

Dimensions

Length of cable	15 m
Cable diameter	5.9 mm
Stripping length of the free conductor end	35 mm

Ambient conditions

Degree of protection	IP65/IP68/IP69K
----------------------	-----------------

General

Rated current at 40°C	1.5 A
Rated voltage	30 V AC
	30 V DC
Number of positions	12
Insulation resistance	≥ 100 MΩ
Coding	A - standard
Status display	No
Overvoltage category	II
Degree of pollution	3

Sensor/actuator cable - SAC-12P-15,0-PVC/FS SCO - 1568321

Technical data

Material

Flammability rating according to UL 94	HB
Contact material	CuZn
Contact surface material	Ni/Au
Contact carrier material	TPU GF
Material of grip body	TPU, hardly inflammable, self-extinguishing
Material, knurls	Zinc die-cast, nickel-plated
Sealing material	NBR

Standards and Regulations

Flammability rating according to UL 94	HB
--	----

Cable

Conductor cross section	12x 0.14 mm ² (Signal line)
AWG signal line	26
Conductor structure signal line	18x 0.10 mm
Core diameter including insulation	1 mm ±0.05 mm (Signal line)
Wire colors	White-brown, green-yellow, gray-pink, blue-red, black-violet, gray/pink-red/blue
Overall twist	12 wires twisted in layers
External sheath, color	black RAL 9005
External cable diameter D	5.8 mm
Smallest bending radius, fixed installation	29 mm
Smallest bending radius, movable installation	87 mm
Outer sheath, material	PVC
Material conductor insulation	PVC
Conductor material	Bare Cu litz wires
Insulation resistance	> 10 MΩ*km
Conductor resistance	≤ 142 Ω/km (at 20 °C)
Nominal voltage, cable	250 V
Test voltage Core/Core	1500 V AC
Flame resistance	DIN EN 50265-2-1
Ambient temperature (operation)	-25 °C ... 80 °C (cable, fixed installation)
	-5 °C ... 80 °C (cable, flexible installation)

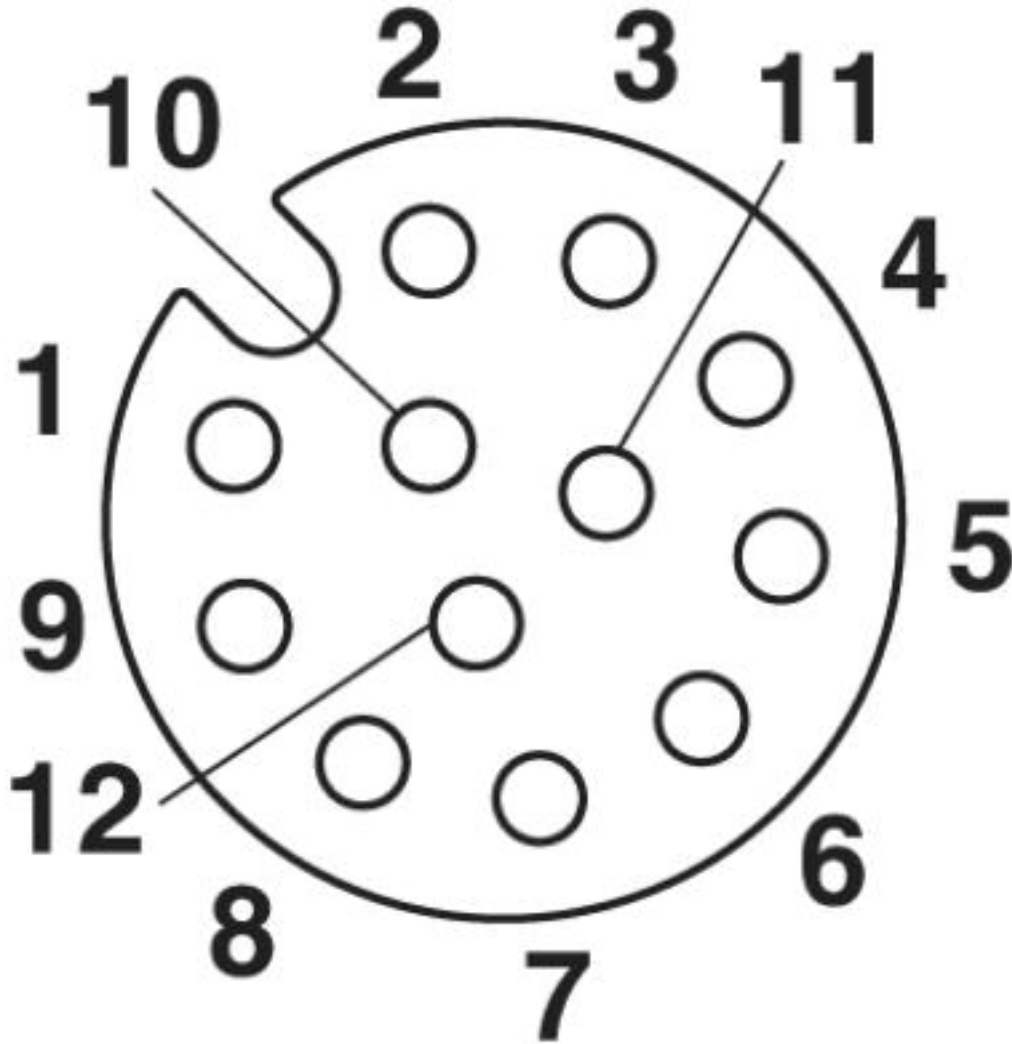
Environmental Product Compliance

	Lead 7439-92-1
China RoHS	Environmentally Friendly Use Period = 50
	For details about hazardous substances go to tab "Downloads", Category "Manufacturer's declaration"

Drawings

Sensor/actuator cable - SAC-12P-15,0-PVC/FS SCO - 1568321

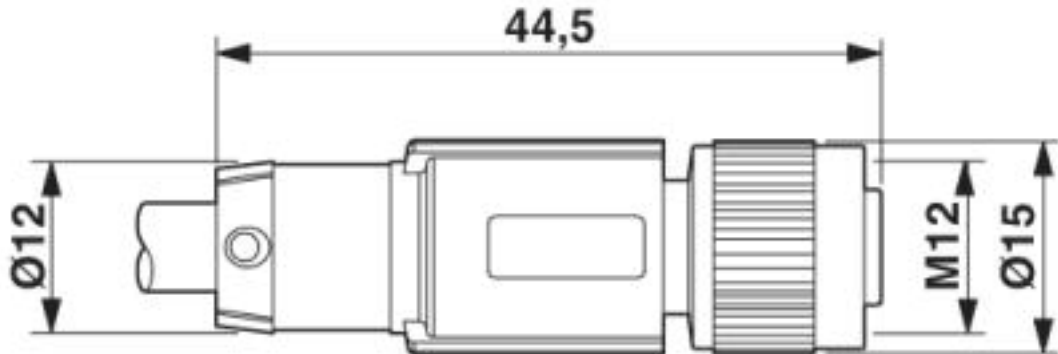
Schematic diagram



Pin assignment M12, 12-pos., female side view

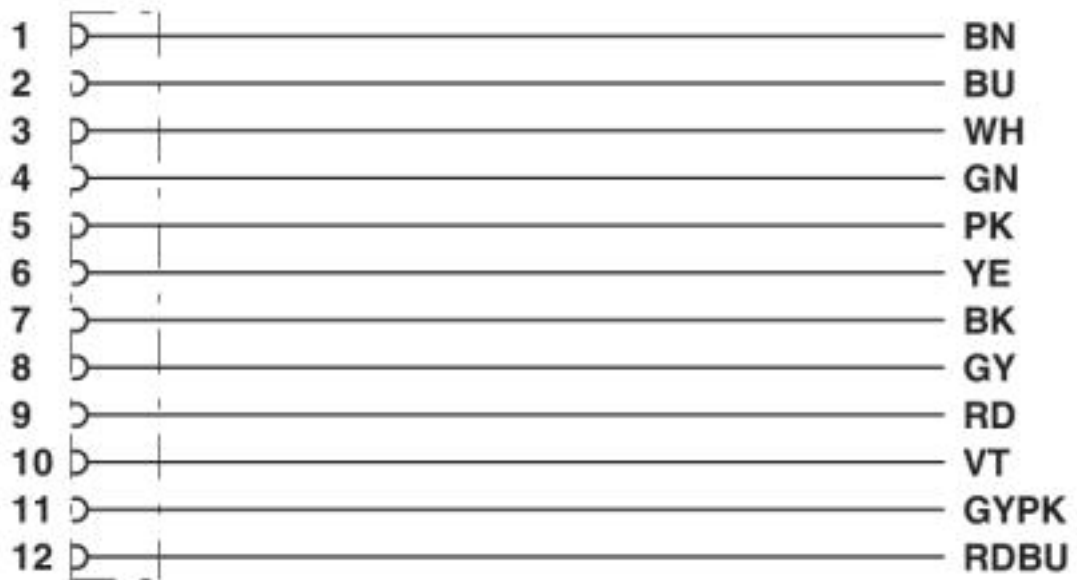
Sensor/actuator cable - SAC-12P-15,0-PVC/FS SCO - 1568321

Dimensional drawing



M12-SPEEDCON socket, straight

Circuit diagram



Contact assignment of the M12 socket

Sensor/actuator cable - SAC-12P-15,0-PVC/FS SCO - 1568321

Cable cross section



PVC black [PVC]

Approvals

Approvals

Approvals


UL Listed

Ex Approvals

Approval details

Sensor/actuator cable - SAC-12P-15,0-PVC/FS SCO - 1568321

Approvals

UL Listed		http://database.ul.com/cgi-bin/XYV/template/LISEXT/1FRAME/index.htm	FILE E 221474
Nominal voltage UN		30 V	
Nominal current IN		1 A	

Phoenix Contact 2019 © - all rights reserved
<http://www.phoenixcontact.com>

PHOENIX CONTACT GmbH & Co. KG
Flachsmarktstr. 8
32825 Blomberg
Germany
Tel. +49 5235 300
Fax +49 5235 3 41200
<http://www.phoenixcontact.com>