

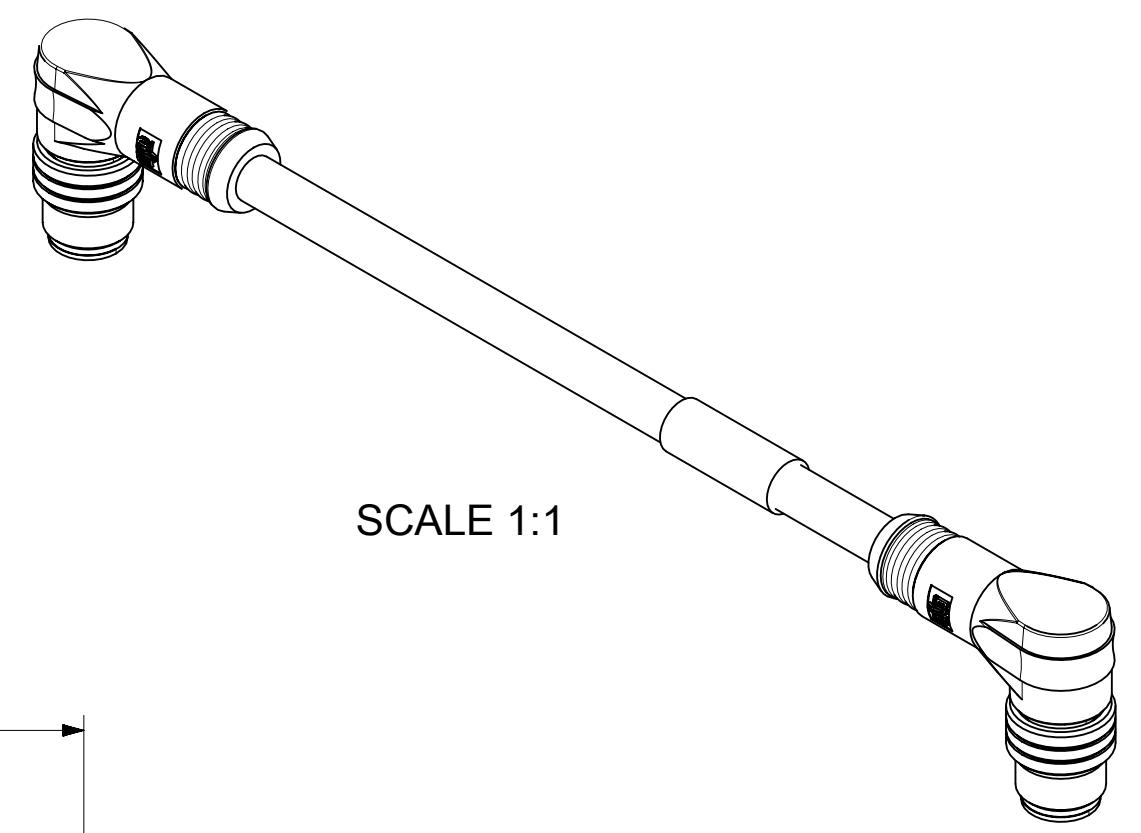
MATERIAL NO.	ENGINEERING NO.	FINISHED LENGTH
1201088005	E11A06302M010	3FT 3.4IN (1M)
1201080132	E11A06302M420	137FT 9.5IN (42M)
1201080014	E11A06302M900	295FT 3.3IN (90M)

PART NO. MATRIX
E11A06302M010

FINISHED LENGTH
M005= 0.5 METER
M010= 1 METER
M100= 10 METER

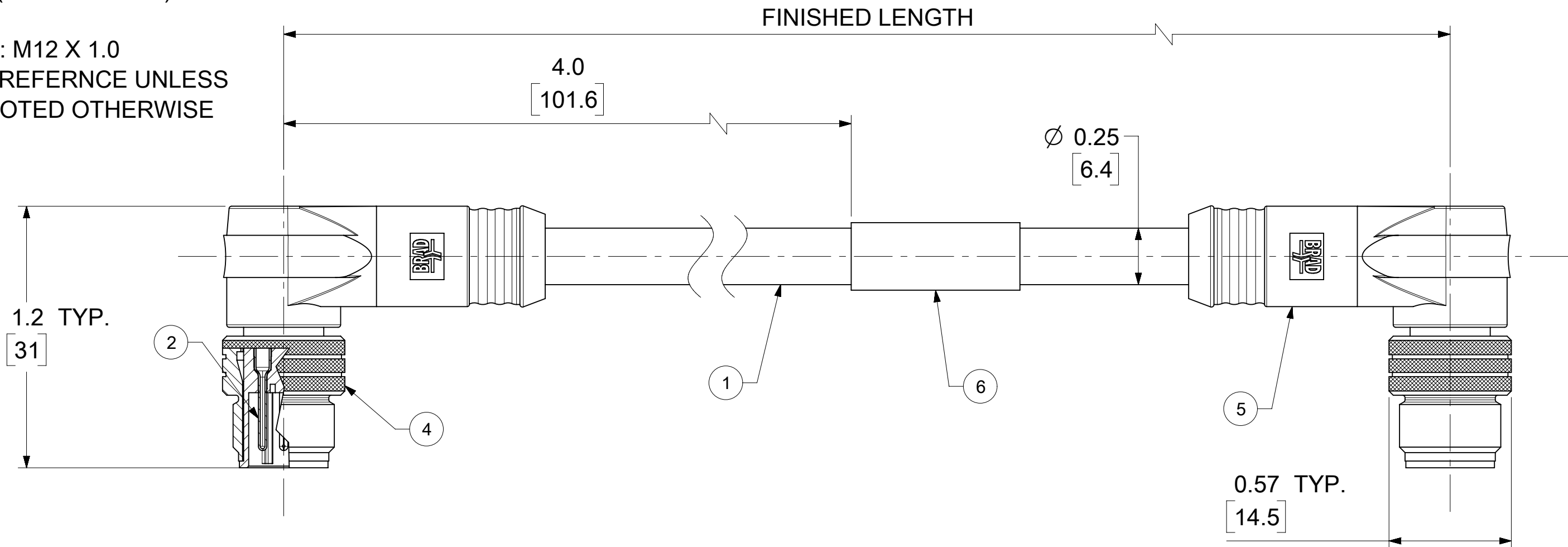
CABLE LENGTH TOLERANCES

<.3M [1FT]:	+19mm-0 [+.75in-0]
.3 - .9M [1 - 3FT]:	+44.5mm-0 [+1.75in-0]
.9 - 1.8M [3 - 6FT]:	+55.6mm-0 [+2.19in-0]
1.8 - 3.7M [6 - 12FT]:	+88.9mm-0 [+3.50in-0]
3.7 - 7.3M [12 - 24FT]:	+165.1mm-0 [+6.50in-0]
7.3-14.6M [24 - 48FT]:	+317.5mm-0 [+12.50in-0]
14.6 - 30.5M [48-100FT]:	+622.3mm-0 [+24.50in-0]
OVER 30M [100FT]	+2% OF FINISHED LENGTH



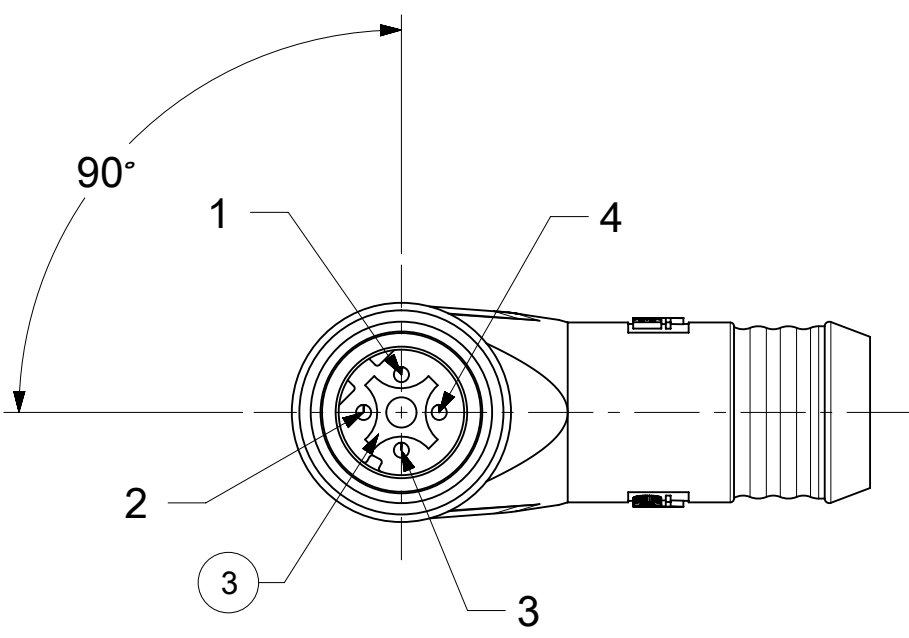
SCALE 1:1

- NOTES:
1. MATERIAL: AS NOTED
 2. FINISH: AS NOTED
 3. ELECTRICAL SPECIFICATIONS
VOLTAGE RATING: 125V
CURRENT RATING: 1.5A
 4. TEMP RANGE: -25°C TO +75°C
 5. PROTECTION: IP67 (WHEN MATED)
 6. UL FILE: E361772
 7. COUPLING THREAD: M12 X 1.0
 8. ALL DIMS ARE FOR REFERENCE UNLESS TOLERANCED OR NOTED OTHERWISE

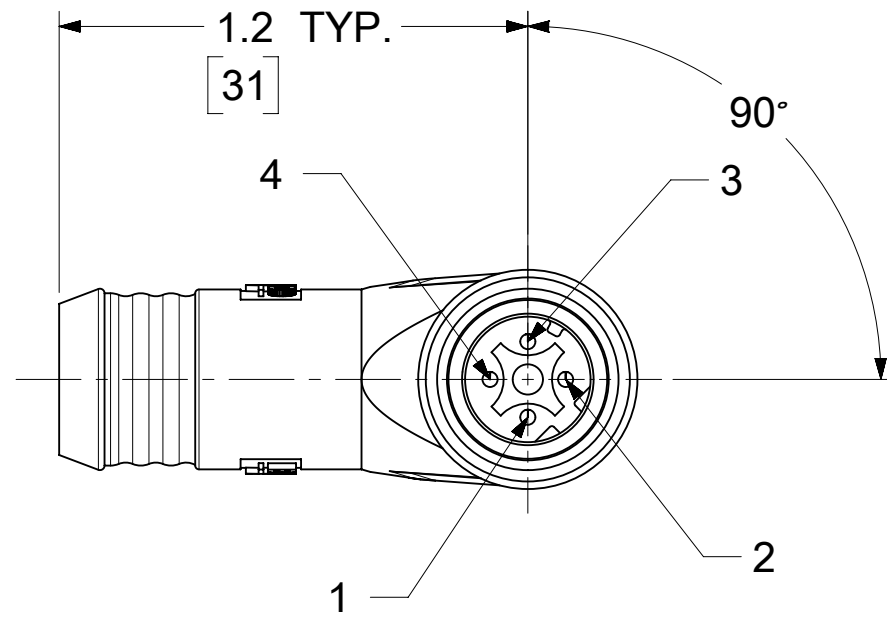


WIRING DIAGRAM

MALE		MALE
1	ORANGE	1
2	BLUE	2
3	ORANGE-WHITE	3
4	BLUE-WHITE	4



MALE FACE VIEW



MALE FACE VIEW

ITEM	DESCRIPTION	MATERIAL	FINISH
6	LABEL	VINYL	BLACK/WHITE
5	OVERMOLD	TPU	BLACK
4	COUPLING NUT M12 MALE	BRASS	NICKEL
3	INSERT D-CODE 4 POLE MALE	PUR	BLACK
2	CONTACT PIN	COPPER ALLOY	GOLD PLATED
1	CABLE, ETHERNET, 24-4	PVC JACKET	TEAL

FUNCTIONAL SYMBOLS	THIS DRAWING CONTAINS INFORMATION THAT IS PROPRIETARY TO MOLEX ELECTRONIC TECHNOLOGIES, LLC AND SHOULD NOT BE USED WITHOUT WRITTEN PERMISSION												
	DIMENSION UNITS		SCALE		CURRENT REV DESC: INITIAL RELEASE								
	INCH/MM		2:1		<p>EC NO: 648668</p> <p>DRWN: PDODDAMANEMY 2020/09/14</p> <p>CHK'D: RSTONE 2020/11/11</p> <p>APPR: BWOODMAN 2020/11/18</p>								
	GENERAL TOLERANCES (UNLESS SPECIFIED)												
DIVISIONAL SYMBOLS	4 PLACES		±		±		<p>INITIAL REVISION:</p> <p>DRWN: NSTAUDIGEL 2010/02/08</p> <p>APPR: fpacher 2010/02/11</p>						
	3 PLACES		±		±								
	2 PLACES		±		±								
	1 PLACE		±		±								
0 PLACES		±		±		<p>DRWN: NSTAUDIGEL 2010/02/08</p> <p>APPR: fpacher</p>							
ANGULAR TOL		±		°		<p>THIRD ANGLE PROJECTION</p> <p>DRAWING SERIES</p> <p>C-SIZE 120108</p>							
DRAFT WHERE APPLICABLE MUST REMAIN WITHIN DIMENSIONS				THIRD ANGLE PROJECTION		DRAWING SERIES		MATERIAL NUMBER		CUSTOMER		SHEET NUMBER	
				C-SIZE		120108		SEE TABLE		GENERAL MARKET		1 OF 1	

molex

MICRO-CHANGE CORDSET, M12
4 POLE, MALE-MALE, 90 DEG, D-CODE, 24/4 AWG
CAT-5E

PRODUCT CUSTOMER DRAWING

DOCUMENT NUMBER: **SD-120108-036** | DOC TYPE: PSD | DOC PART: 001 | REVISION: A

MATERIAL NUMBER: SEE TABLE | CUSTOMER: GENERAL MARKET | SHEET NUMBER: 1 OF 1