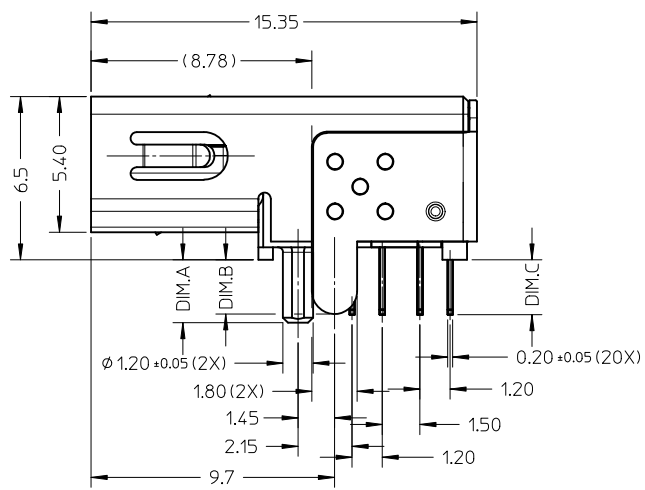
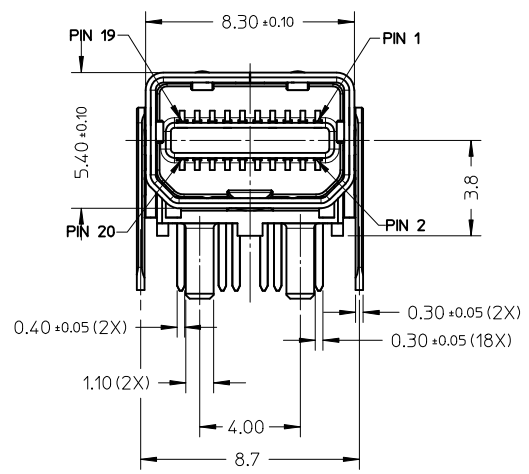


NOTES:

1. MATERIAL:
  - 1.1. PLASTIC: NYLON PA46, UL94V-2.  
COLOR: BLACK. HALOGEN FREE.
  - 1.2. INSERT MOLDING: LCP, UL94V-0.
  - 1.3. TERMINAL: COPPER ALLOY.
  - 1.4. SHIELD SHELL: STAINLESS STEEL.
2. PLATING:
  - 2.1. TERMINAL:
    - 2.1.1. UNDERPLATING: NICKEL 1.30 MICROMETER MIN.
    - 2.1.2. CONTACT AREA: GOLD 0.76 MICROMETER MIN.
    - 2.1.3. SOLDER AREA: MATTE TIN 2.50 MICROMETER MIN.
  - 2.2. METAL SHELL:
    - SOLDERABLE NICKEL 1.30 MICROMETER MIN.
3. PRODUCT SPECIFICATION: PS-105081-001.
4. PACKAGING SPECIFICATION ACCORDING TO SPECIFIED P/N.
5. THIS PRODUCT COMPLIANT TO RoHS DIRECTIVE 2002/95/EC, AND ELV DIRECTIVE 2000/53/EC.
6. RECOMMENDED APPLIED PWB THICKNESS SEE TABLE.



|             |       |       |       |            |         |                                |
|-------------|-------|-------|-------|------------|---------|--------------------------------|
| 105081-3001 | 2.0   | 1.8   | 1.8   | 1.20±0.10  | WITHOUT | PK-105081-002<br>(TAPE & REEL) |
| 105081-2001 | 2.5   | 2.2   | 2.2   | 1.60±0.10  |         |                                |
| 105081-1001 | 2.0   | 1.8   | 1.8   | 1.20±0.10  | WITH    | PK-105081-001<br>(TRAY)        |
| 105081-0001 | 2.5   | 2.2   | 2.2   | 1.60±0.10  |         |                                |
| 105081-5001 |       |       |       |            |         |                                |
| PART NUMBER | DIM.A | DIM.B | DIM.C | PWB THICK. | COVER   | PACKAGING SPEC.                |

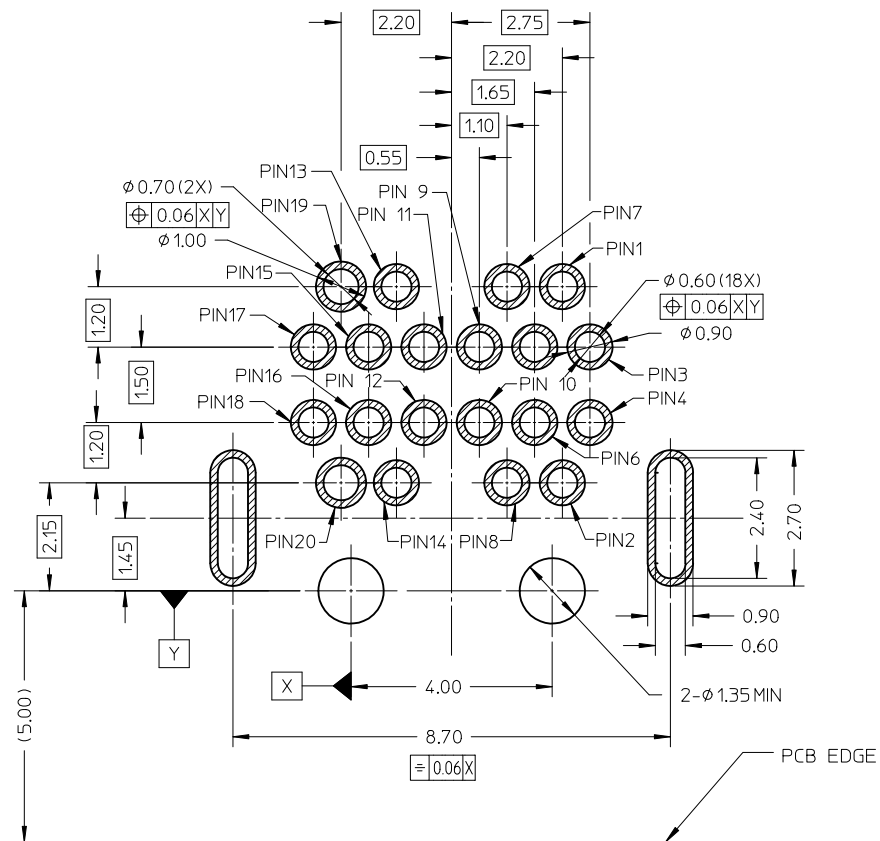
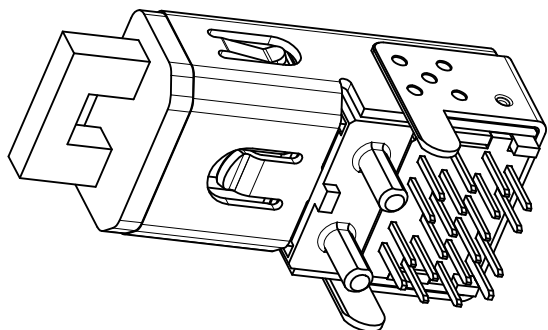
|                 |                               |            |             |            |            |
|-----------------|-------------------------------|------------|-------------|------------|------------|
| REVISED         | EC NO: SH2010-0117            | 2010/03/31 | 2010/03/31  | 2010/03/31 | 2010/08/11 |
| DRW:KWEI        | CHK:DZHANG                    | APP:RZHANG | DESCRIPTION |            |            |
| QUALITY SYMBOLS | $F_A=0$<br>$F_B=0$<br>$F_C=0$ |            |             |            |            |
| REV             |                               |            |             |            |            |

|  |                |       |
|--|----------------|-------|
| GENERAL TOLERANCES (UNLESS SPECIFIED)                | mm             | INCH  |
|  | 4 PLACES ± --- | ± --- |
| 3 PLACES ± ---                                       | ± ---          | ± --- |
| 2 PLACES ± 0.25                                      | ± ---          | ± --- |
| 1 PLACE ± 0.30                                       | ± ---          | ± --- |
| ANGULAR ± ---°                                       |                |       |
| DRAFT WHERE APPLICABLE MUST REMAIN WITHIN DIMENSIONS |                |       |

|                         |                  |  |              |                        |
|-------------------------|------------------|--|--------------|------------------------|
| DIMENSION STYLE         |                  | SCALE                                    | DESIGN UNITS | THIRD ANGLE PROJECTION |
| MM ONLY                 |                  | 5:1                                      | METRIC       |                        |
| DRAWN BY                | DATE             | TITLE                                    |              |                        |
| KLAUS WEI               | 2008/10/06       | CUSTOMER DRAWING FOR R/A MINI-DP RECEPT. |              |                        |
| CHECKED BY              | DATE             |  |              |                        |
| ROST ZHANG              | 2008/10/06       | MOLEX INCORPORATED                       |              |                        |
| APPROVED BY             | DATE             |  |              |                        |
| HARVEY WANG             | 2008/10/06       | DOCUMENT NO. SD-105081-001               |              |                        |
| MATERIAL NO. 105081-001 |                  |  |              |                        |
| SIZE                    | SHEET NO. 1 OF 2 |  |              |                        |
| A3                      |                  |  |              |                        |

|                         |                  |            |  |  |
|-------------------------|------------------|------------|--|--|
| DRAWN BY                |                  | DATE       | TITLE                                    |  |
| KLAUS WEI               |                  | 2008/10/06 | CUSTOMER DRAWING FOR R/A MINI-DP RECEPT. |  |
| CHECKED BY              |                  | DATE       |  |  |
| ROST ZHANG              |                  | 2008/10/06 | MOLEX INCORPORATED                       |  |
| APPROVED BY             |                  | DATE       |  |  |
| HARVEY WANG             |                  | 2008/10/06 | DOCUMENT NO. SD-105081-001               |  |
| MATERIAL NO. 105081-001 |                  |            |  |  |
| SIZE                    | SHEET NO. 1 OF 2 |            |  |  |
| A3                      |                  |            |  |  |

| TOP ROW    |             |               | BOTTOM ROW |             |                 |
|------------|-------------|---------------|------------|-------------|-----------------|
| PIN NUMBER | SIGNAL TYPE | PIN NAME      | PIN NUMBER | SIGNAL TYPE | PIN NAME        |
| 1          | GND         | GROUND        | 2          | IN          | HOT PLUG DETECT |
| 3          | OUT         | ML_LANE 0 (p) | 4          | CONFIG      | CONFIG 1        |
| 5          | OUT         | ML_LANE 0 (n) | 6          | CONFIG      | CONFIG 2        |
| 7          | GND         | GROUND        | 8          | GND         | GROUND          |
| 9          | OUT         | ML_LANE 1 (p) | 10         | OUT         | ML_LANE 3 (p)   |
| 11         | OUT         | ML_LANE 1 (n) | 12         | OUT         | ML_LANE 3 (n)   |
| 13         | GND         | GROUND        | 14         | GND         | GROUND          |
| 15         | OUT         | ML_LANE 2 (p) | 16         | I/O         | AUX_CH (p)      |
| 17         | OUT         | ML_LANE 2 (n) | 18         | I/O         | AUX_CH (n)      |
| 19         | RTN         | RETURN        | 20         | POWER OUT   | DP_POWER        |



RECOMMENDED PCB LAYOUT  
DEFAULT TOLERANCE ±0.05

|  |                    |                       |  |   |       |  |                        |  |
|--|--------------------|-----------------------|--|---|-------|--|------------------------|--|
| REVISED<br>EC NO: SH2010-0117<br>DRW:KWEI 2010/03/31<br>CHK:RZHANG 2010/03/31<br>APP:RZHANG 2010/08/11 | DESCRIPTION<br>REV | QUALITY SYMBOLS       | GENERAL TOLERANCES (UNLESS SPECIFIED)                | DIMENSION STYLE   | SCALE | DESIGN UNITS                             | THIRD ANGLE PROJECTION |  |
|  |                    | $F_{\sigma} = 0$      | mm INCH  | MM ONLY   | 5:1   | METRIC                                   |                        |  |
|  |                    | $F_{\sigma} = 0$      | 4 PLACES ± --- ± ---                                 | DRAWN BY DATE   | TITLE | CUSTOMER DRAWING FOR R/A MINI-DP RECEPT. |                        |  |
|  |                    | $F_{\sigma} = 0$      | 3 PLACES ± --- ± ---                                 | KLAUS WEI 2008/10/06  |       |  |                        |  |
|  |                    | 2 PLACES ± 0.05 ± --- | CHECKED BY DATE                                      | MOLEX INCORPORATED  |       |  |                        |  |
|  |                    | 1 PLACE ± 0.10 ± ---  | ROST ZHANG 2008/10/06                                |   |       |  |                        |  |
|  |                    | ANGULAR ± ---°        | APPROVED BY DATE                                     | SD-105081-001   |       |  |                        |  |
|  |                    |                       | HARVEY WANG 2008/10/06                               |   |       |  |                        |  |
|  |                    |                       | MATERIAL NO.   | DOCUMENT NO.  |       |  |                        |  |
|  |                    |                       | 105081- $\ast$ 001                                   | 2 OF 2  |       |  |                        |  |
|  |                    |                       | DRAFT WHERE APPLICABLE MUST REMAIN WITHIN DIMENSIONS | THIS DRAWING CONTAINS INFORMATION THAT IS PROPRIETARY TO MOLEX INCORPORATED AND SHOULD NOT BE USED WITHOUT WRITTEN PERMISSION |       |  |                        |  |