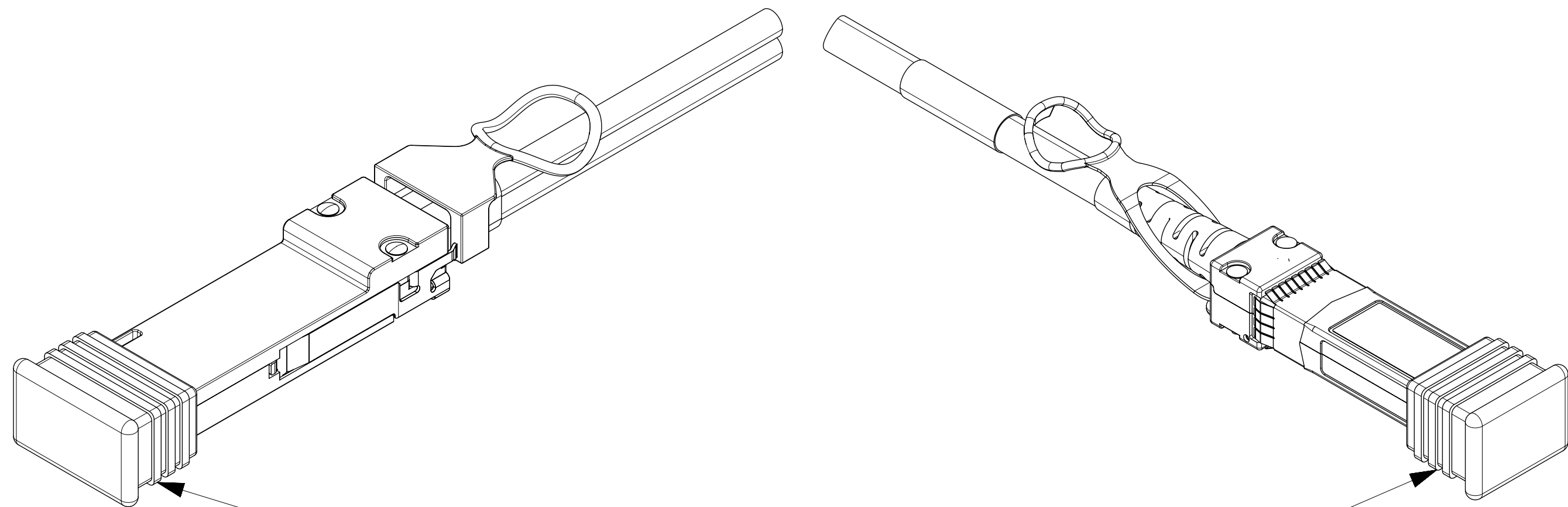
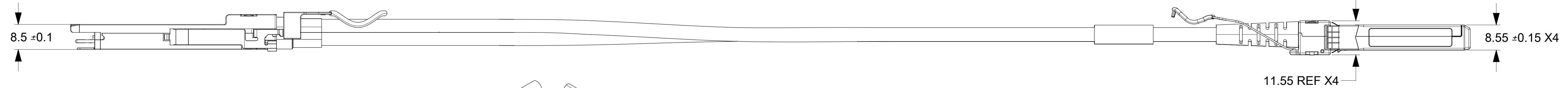


SEE SHEET 3 FOR PRODUCT LABEL DETAIL

SEE SHEET 3 FOR SFP+ LEG IDENTIFICATION LABEL DETAIL



DUST COVERS PLACED ON ALL CABLE ENDS

- NOTES:
- MATERIALS:
    - BACKSHELLS - ZINC DIE CAST WITH BRIGHT NICKEL PLATING
    - DELATCH - STAINLESS STEEL AND OVERMOLDED NYLON
    - PCB - FR4
    - RIVETS - STAINLESS STEEL
  - IMPEDANCE - 100 OHMS DIFFERENTIAL
  - RoHS COMPLIANT, NO EXEMPTIONS

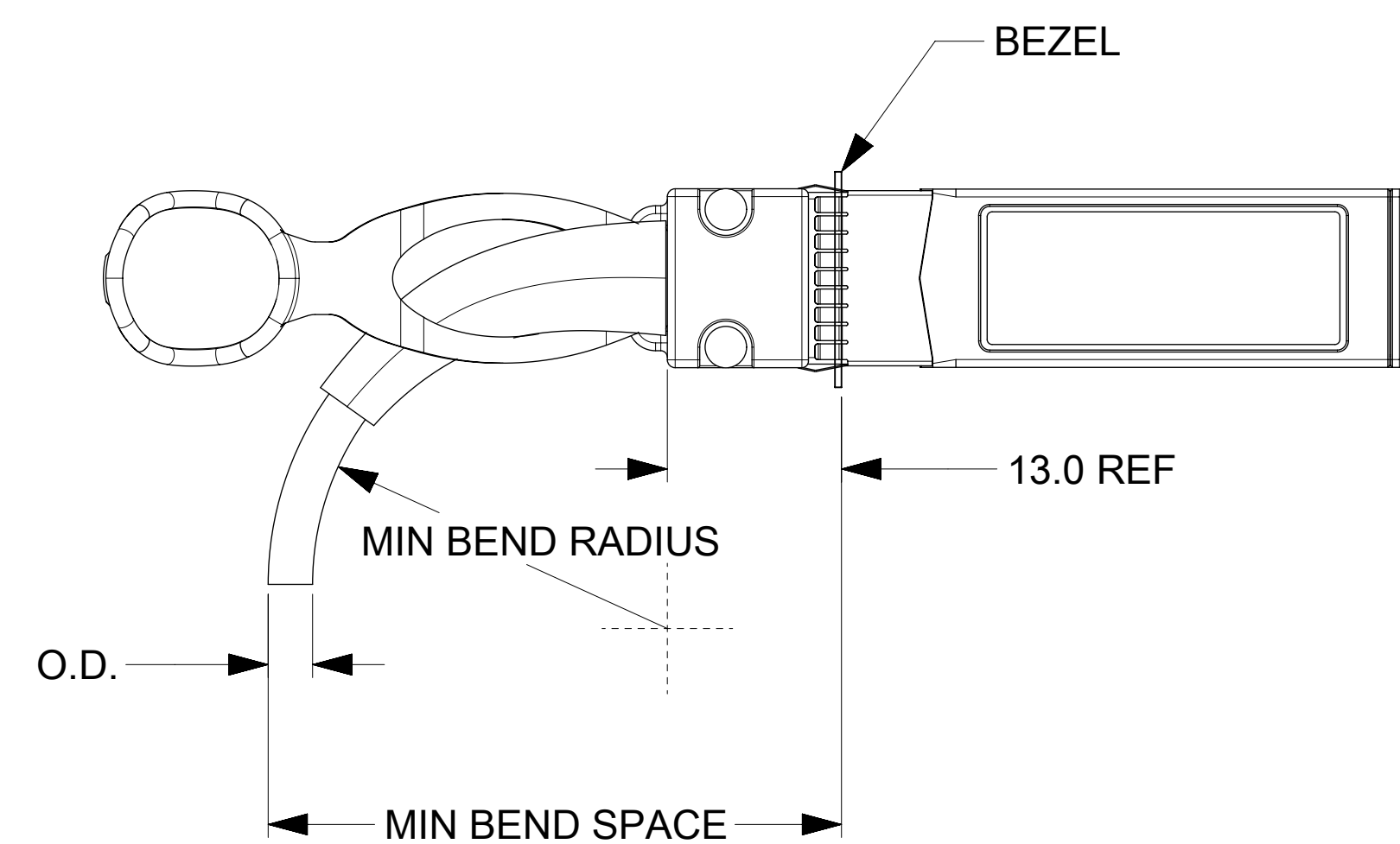
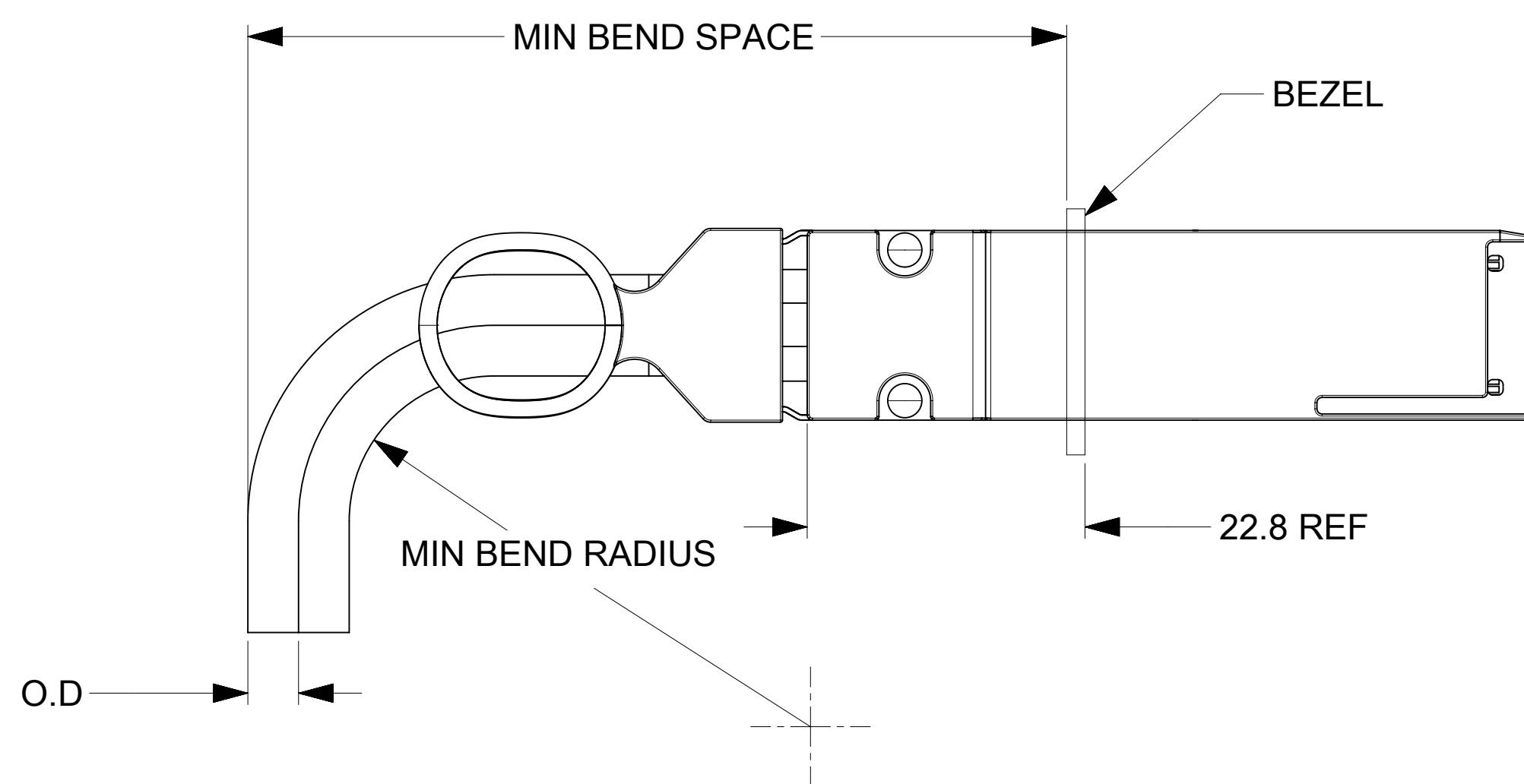
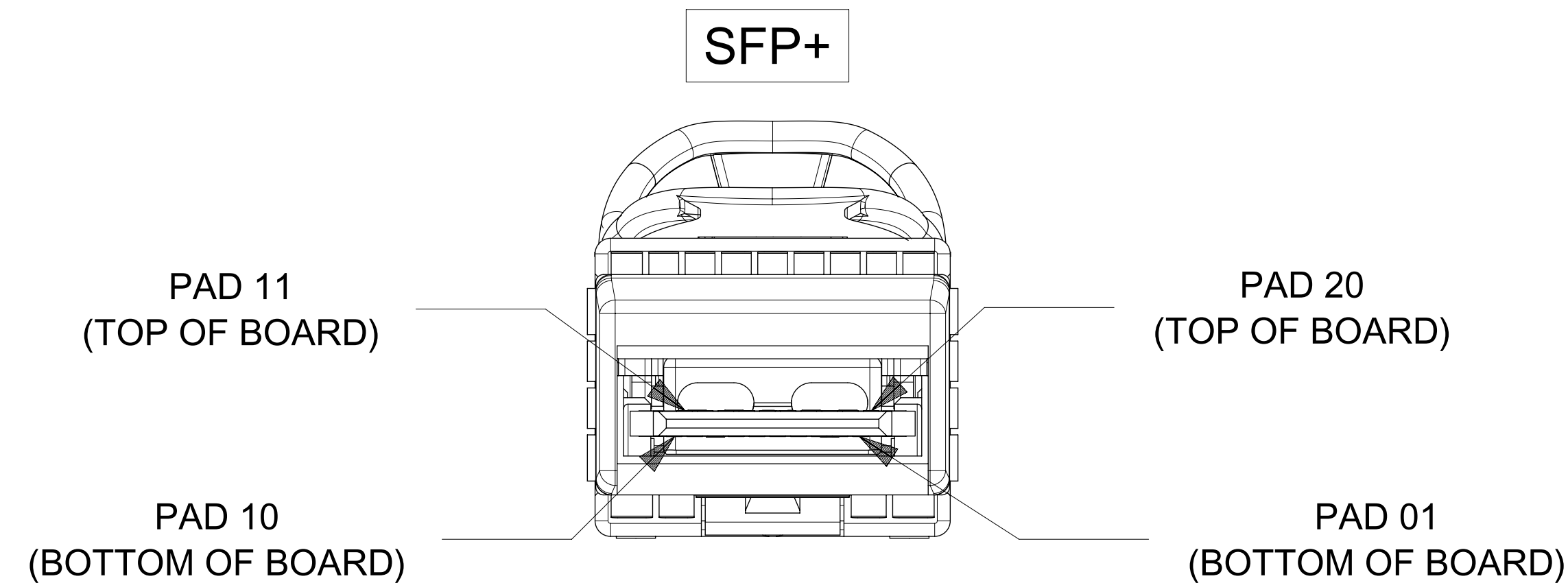
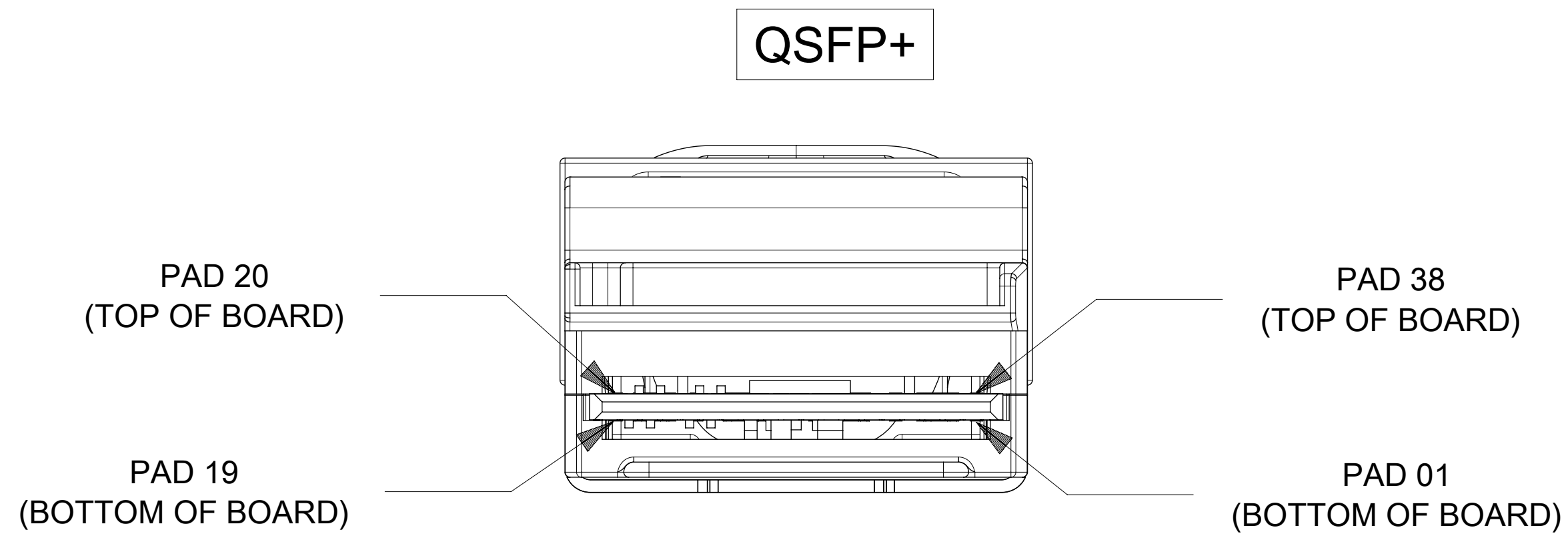
SYMBOLS	THIS DRAWING CONTAINS INFORMATION THAT IS PROPRIETARY TO MOLEX ELECTRONIC TECHNOLOGIES, LLC AND SHOULD NOT BE USED WITHOUT WRITTEN PERMISSION		
	DIMENSION UNITS	SCALE	CURRENT REV DESC: ADDED 18.35 DIM SH1
▽ = 0	mm		EC NO: 616055 DRWN: SKAMATHN 2019/04/23 CHK'D: NSRIVATSAHS 2019/04/23 APPR: KNAGANNA 2019/04/23
▽ = 0	GENERAL TOLERANCES (UNLESS SPECIFIED)		
▽ = 0	ANGULAR TOL	± 1.0°	INITIAL REVISION: DRWN: EMEDINA02 2017/03/01 APPR: ARAYBURN 2017/03/14
▽ = 0	4 PLACES	±	
▽ = 0	3 PLACES	±	DOCUMENT NUMBER: 747640001 DOC TYPE: PSD DOC PART: 000 REVISION: P
▽ = 0	2 PLACES	± 0.13	
▽ = 0	1 PLACE	± 0.25	MATERIAL NUMBER: SEE PN TABLE CUSTOMER: GENERAL MARKET SHEET NUMBER: 1 OF 3
▽ = 0	0 PLACES	±	
■ = 0	DRAFT WHERE APPLICABLE MUST REMAIN WITHIN DIMENSIONS		THIRD ANGLE PROJECTION
▽ = 0			DRAWING: D-SIZE SERIES: 74764

**molex**

QSFP+ TO (4) SFP+ 10G PASSIVE CBL ASSY

PRODUCT CUSTOMER DRAWING

WIRING DIAGRAM				
QSFP+		SFP+		PLUG
PAD	SIGNAL	SIGNAL	PAD	
38	GND	----	GND	A
37	TX1-	--->	RD-	
36	TX1+	--->	RD+	
16	GND	----	GND	
17	RX1+	<---	TD+	B
18	RX1-	<---	TD-	
04	GND	----	GND	
02	TX2-	--->	RD-	
03	TX2+	--->	RD+	C
23	GND	----	GND	
22	RX2+	<---	TD+	
21	RX2-	<---	TD-	
35	GND	----	GND	D
34	TX3-	--->	RD-	
33	TX3+	--->	RD+	
13	GND	----	GND	
14	RX3+	<---	TD+	
15	RX3-	<---	TD-	
07	GND	----	GND	
05	TX4-	--->	RD-	
06	TX4+	--->	RD+	
26	GND	----	GND	
25	RX4+	<---	TD+	
24	RX4-	<---	TD-	



LOW SPEED SIGNALS	
QSFP+	
PAD	SIGNAL
08	ModSelL
09	ResetL
10	VccRx
11	SCL
12	SDA
27	ModPrsL
28	IntL
29	VccTx
30	Vcc1
31	LPMODE

LOW SPEED SIGNALS	
SFP+	
PAD	SIGNAL
02	Tx_Fault
03	Tx_Disable
04	SDA
05	SCL
06	Mod_ABS
07	RS0
08	Rx_LOS
09	RS1
15	VccR
16	VccT

CABLE AWG	OD OF CBL BUNDLE	MIN BEND RADIUS (mm)	MIN BEND SPACE (mm)
30	8.4	21	52
28	9.4	23.5	55
26	10.4	26	59

CABLE AWG	OD	MIN BEND RADIUS (mm)	MIN BEND SPACE (mm)
30	4.2	21	38
28	4.7	23.5	41
26	5.2	26	44

<b>SYMBOLS</b> DIMENSION UNITS: mm SCALE: CURRENT REV DESC: ADDED 18.35 DIM SH1 GENERAL TOLERANCES (UNLESS SPECIFIED) ANGULAR TOL ± 1.0° 4 PLACES ± 3 PLACES ± 2 PLACES ± 0.13 1 PLACE ± 0.25 0 PLACES ± DRAFT WHERE APPLICABLE MUST REMAIN WITHIN DIMENSIONS	EC NO: 616055 DRWN: SKAMATHN 2019/04/23 CHK'D: NSRIVATSAHS 2019/04/23 APPR: KNAGANNA 2019/04/23		 QSFP+ TO (4) SFP+ 10G PASSIVE CBL ASSY		
	INITIAL REVISION: DRWN: EMEDINA02 2017/03/01 APPR: ARAYBURN 2017/03/14				PRODUCT CUSTOMER DRAWING
	DOCUMENT NUMBER: 747640001 DOC TYPE: PSD DOC PART: 000 REVISION: P		MATERIAL NUMBER: SEE PN TABLE CUSTOMER: GENERAL MARKET SHEET NUMBER: 2 OF 3		
	DRAFT WHERE APPLICABLE MUST REMAIN WITHIN DIMENSIONS		THIRD ANGLE PROJECTION		SERIES: D-SIZE 74764

PRODUCT LABEL DETAIL



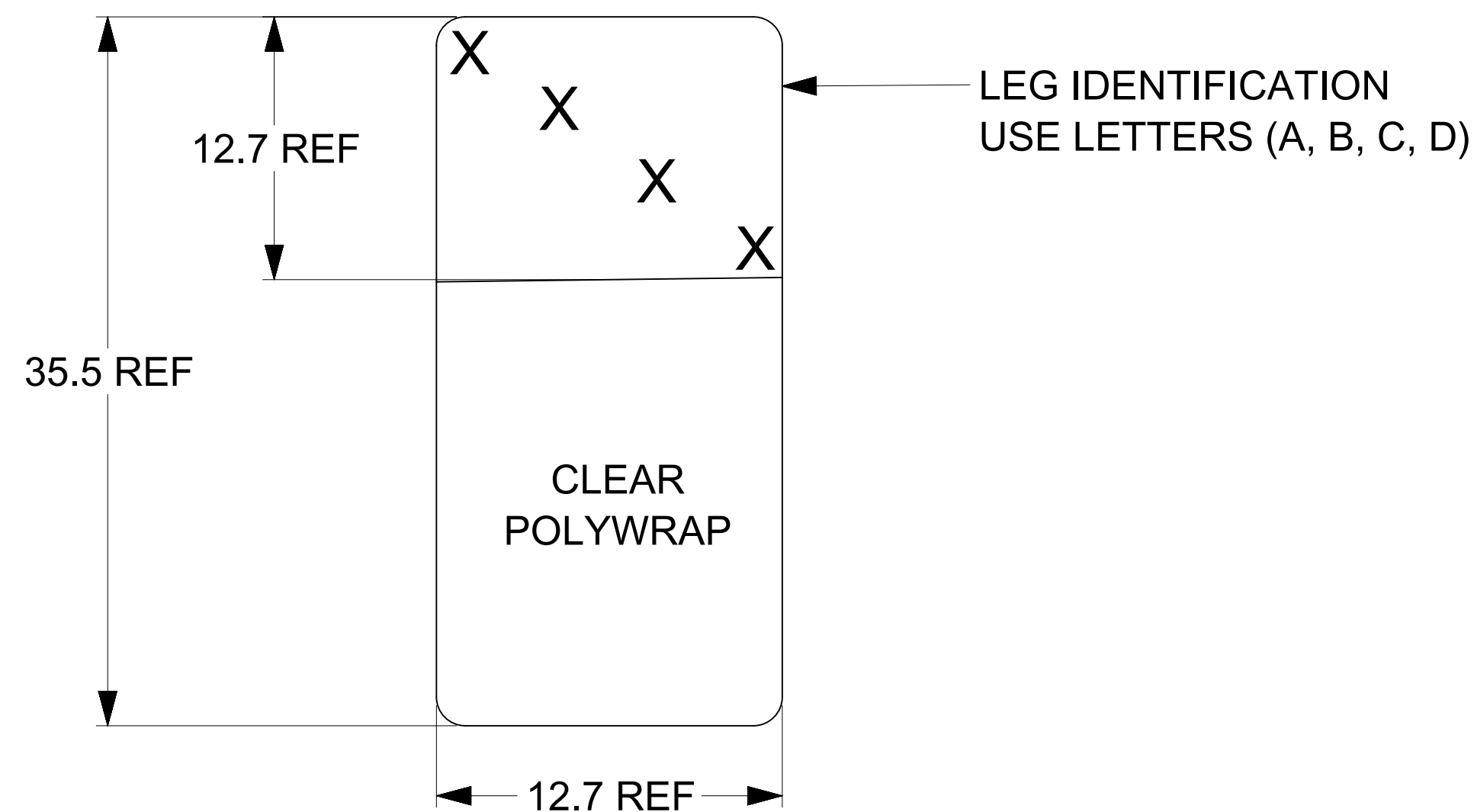
P/N SEE TABLE FOR PN  
 X.XM = LENGTH AS SHOWN IN TABLE  
 XXAWG = AWG SIZE

YDDLSSSS  
 Y = LAST DIGIT OF THE YEAR  
 DDD = DAY OF THE YEAR  
 L = LOCATION  
 1 = US  
 2 = MEXICO  
 3 = CHINA  
 4 = PHILIPPINES  
 SSSS = (0001-9999)

PART NUMBER TABLE

MOLEX P/N	LENGTH	TOL.	AWG
747641031	0.25M	±0.03M	30
747641051	0.5M	±0.03M	30
747641081	0.75M	±0.03M	30
747641101	1.0M	±0.05M	30
747641131	1.25M	±0.05M	30
747641053	1.5M	±0.05M	30
747641181	1.75M	±0.05M	30
747641201	2.0M	±0.05M	30
747641251	2.5M	±0.05M	30
747641301	3.0M	±0.05M	30
747641401	4.0M	±0.05M	30
747642201	2.0M	±0.05M	28
747642301	3.0M	±0.05M	28
747642331	3.3M	±0.05M	28
747642351	3.5M	±0.05M	28
747642371	3.7M	±0.05M	28
747642401	4.0M	±0.05M	28
747642501	5.0M	±0.05M	28
747643601	6.0M	±0.05M	26

SFP LEG IDENTIFICATION LABEL DETAIL



SYMBOLS	THIS DRAWING CONTAINS INFORMATION THAT IS PROPRIETARY TO MOLEX ELECTRONIC TECHNOLOGIES, LLC AND SHOULD NOT BE USED WITHOUT WRITTEN PERMISSION		
	DIMENSION UNITS	SCALE	CURRENT REV DESC: ADDED 18.35 DIM SH1
▽ = 0	mm		<b>molex</b>
▽ = 0	GENERAL TOLERANCES (UNLESS SPECIFIED)		
▽ = 0	ANGULAR TOL ± 1.0°		QSFP+ TO (4) SFP+ 10G PASSIVE CBL ASSY
▽ = 0	4 PLACES ±		PRODUCT CUSTOMER DRAWING
▽ = 0	3 PLACES ±		DOCUMENT NUMBER
▽ = 0	2 PLACES ± 0.13		747640001
▽ = 0	1 PLACE ± 0.25		DOC TYPE
☒ = 0	0 PLACES ±		PSD
■ = 0	DRAFT WHERE APPLICABLE MUST REMAIN WITHIN DIMENSIONS	THIRD ANGLE PROJECTION	DOC PART
▽ = 0		D-SIZE	000
		SERIES	P
		MATERIAL NUMBER	REVISION
		74764	3 OF 3
		SEE PN TABLE	
		CUSTOMER	
		GENERAL MARKET	