

MATERIALS AND FINISHES

BODY, JAM NUT, CRIMP TUBE: BRASS
PLATED NICKEL

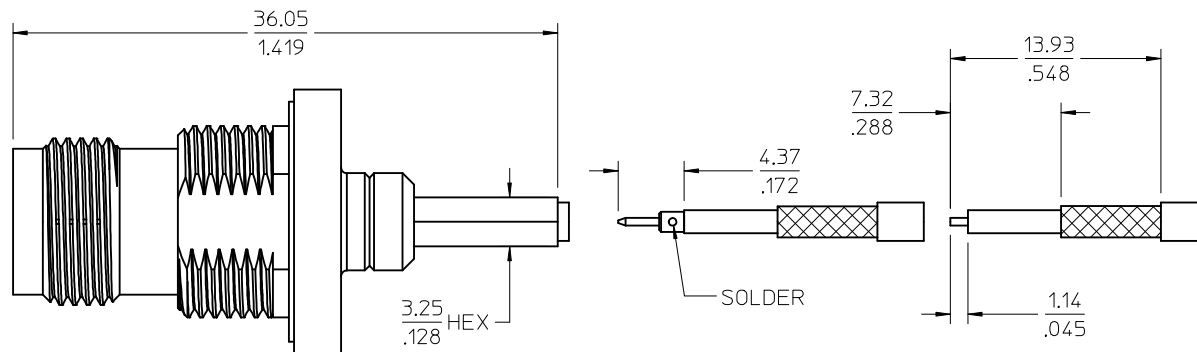
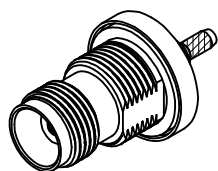
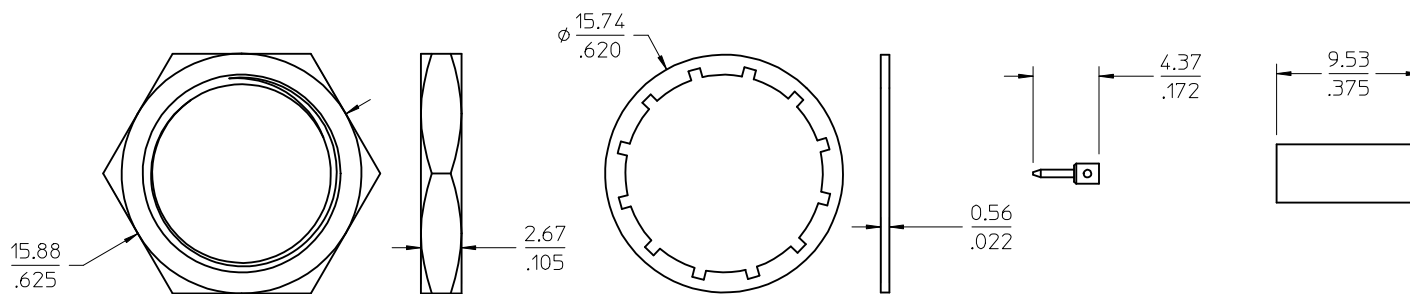
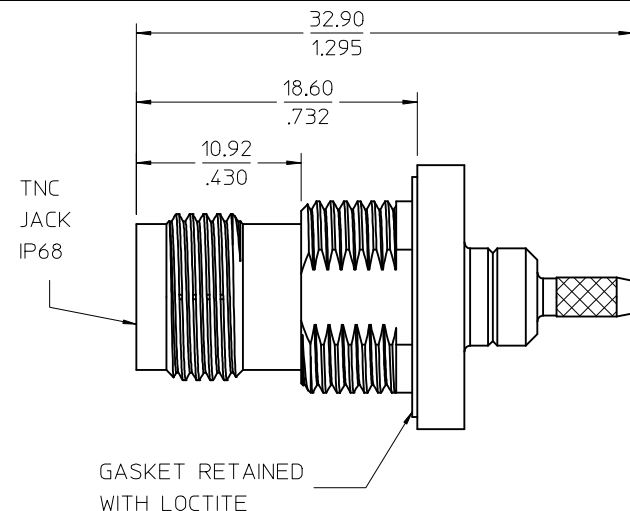
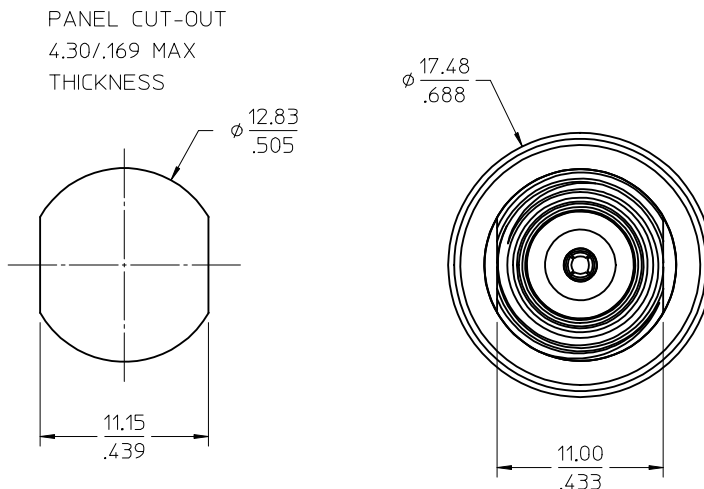
CENTER CONTACT BERYLLIUM COPPER
PLATED GOLD (SEE TABLE)

INSULATORS: TEFLON

CABLE CONTACT: BRASS
PLATED GOLD (SEE TABLE)

LOCK WASHER: PHOSPHOR BRONZE
PLATED NICKEL

GASKET: SILICONE RUBBER



MIL-STD-348A, FIG. 313.2	INTERFACE
SPECIFICATION	DESCRIPTION

73216-2122	BULK	10u"
73216-2121	ONE PER BAG	30u"
73216-2120	BULK	30u"
PART NO.	PACKAGING	CONTACT
		PLATING

CHG: ADD -2122
EC NO: URF2014-0109
DRWN:JWIENER 2013/08/13
CHKD:SSS 2013/08/13
APPR:JWIENER 2013/08/14

QUALITY SYMBOLS
▽=0
▽=0

GENERAL TOLERANCES (UNLESS SPECIFIED)

	mm	INCH
4 PLACES	± .005	± .0005
3 PLACES	± .005	± .0005
2 PLACES	± .005	± .0005
1 PLACE	± .005	± .0005

ANGULAR ± 2 °

DRAFT WHERE APPLICABLE
MUST REMAIN WITHIN DIMENSIONS

DIMENSION STYLE
MM/IN

DRAWN BY: JDW
DATE: 2009/02/24

CHECKED BY: SSS
DATE: 2009/02/24

APPROVED BY: JWIENER
DATE: 2010/04/22

MATERIAL NO. SEE TABLE

SIZE: C

SCALE: DESIGN UNITS METRIC

THIRD ANGLE PROJECTION

TITLE: TNC JACK BULKHEAD IP68 RG-316 50 OHM TNC-JC, EWR-4001

MOLEX INCORPORATED

DOCUMENT NO. SD-73216-212

SHEET NO. 1 OF 1

THIS DRAWING CONTAINS INFORMATION THAT IS PROPRIETARY TO MOLEX INCORPORATED AND SHOULD NOT BE USED WITHOUT WRITTEN PERMISSION

MATERIALS AND FINISHES

BODY, JAM NUT, CRIMP TUBE: BRASS
PLATED NICKEL

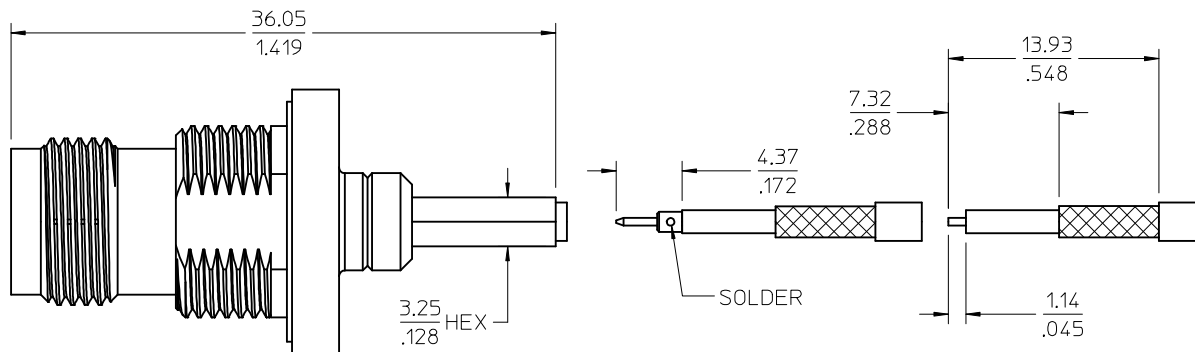
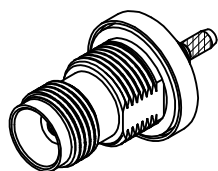
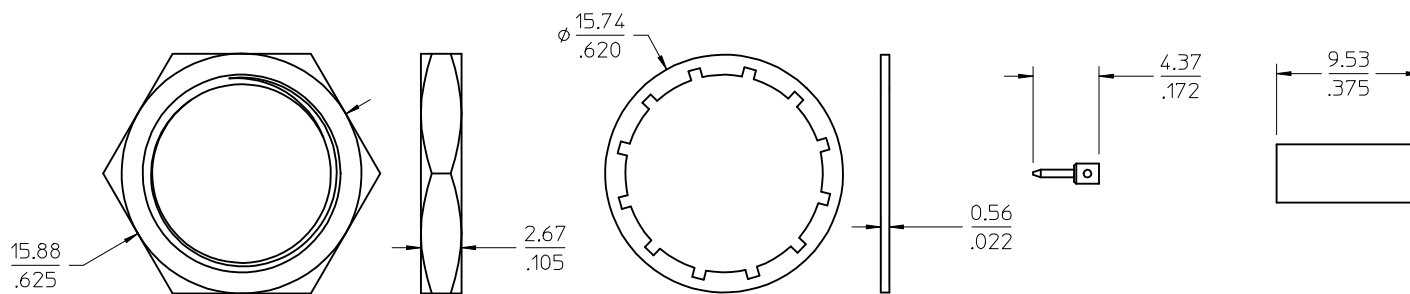
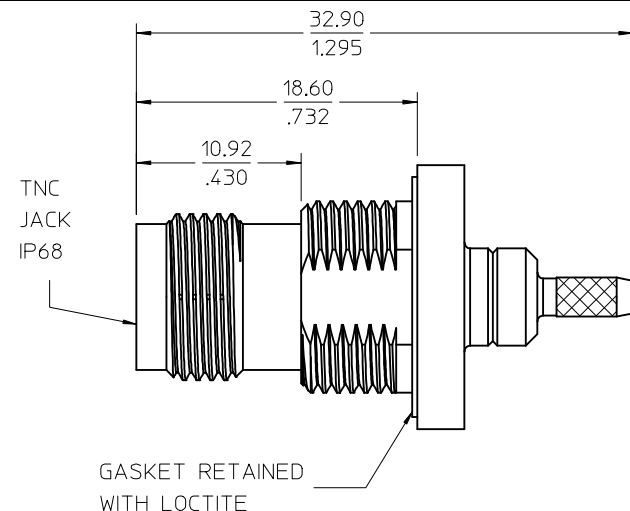
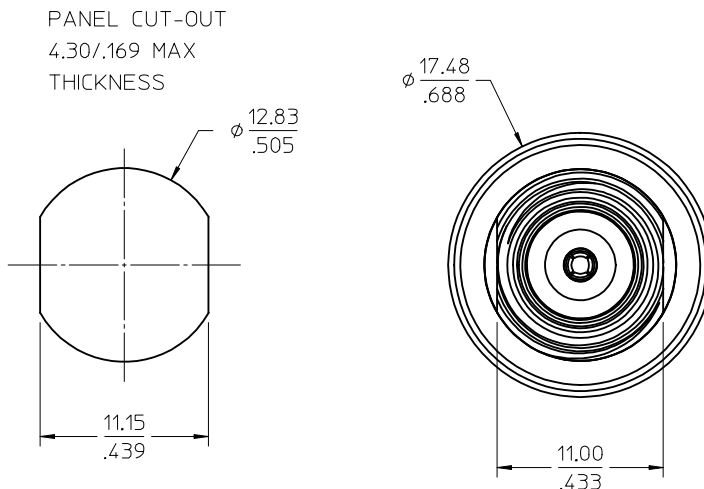
CENTER CONTACT BERYLLIUM COPPER
PLATED GOLD (SEE TABLE)

INSULATORS: TEFLON

CABLE CONTACT: BRASS
PLATED GOLD (SEE TABLE)

LOCK WASHER: PHOSPHOR BRONZE
PLATED NICKEL

GASKET: SILICONE RUBBER



MIL-STD-348A, FIG. 313.2	INTERFACE
SPECIFICATION	DESCRIPTION

73216-2122	BULK	10u"
73216-2121	ONE PER BAG	30u"
73216-2120	BULK	30u"
PART NO.	PACKAGING	CONTACT
		PLATING

CHG: ADD -2122
EC NO: URF2014-0109
DRWN:JWIENER 2013/08/13
CHKD:SSS 2013/08/13
APPR:JWIENER 2013/08/14

QUALITY SYMBOLS
▽=0
▽=0

GENERAL TOLERANCES (UNLESS SPECIFIED)

	mm	INCH
4 PLACES ±	---	---
3 PLACES ±	---	---
2 PLACES ±	---	---
1 PLACE ±	---	---

ANGULAR ± 2 °

DRAFT WHERE APPLICABLE
MUST REMAIN WITHIN DIMENSIONS

DIMENSION STYLE
MM/IN

DRAWN BY: JDW
DATE: 2009/02/24

CHECKED BY: SSS
DATE: 2009/02/24

APPROVED BY: JWIENER
DATE: 2010/04/22

MATERIAL NO. SEE TABLE

SIZE: C

SCALE: DESIGN UNITS METRIC

THIRD ANGLE PROJECTION

TITLE: TNC JACK BULKHEAD
IP68 RG-316 50 OHM
TNC-JC, EWR-4001

MOLEX MOLEX INCORPORATED

DOCUMENT NO. SD-73216-212

SHEET NO. 1 OF 1

THIS DRAWING CONTAINS INFORMATION THAT IS PROPRIETARY TO MOLEX INCORPORATED AND SHOULD NOT BE USED WITHOUT WRITTEN PERMISSION