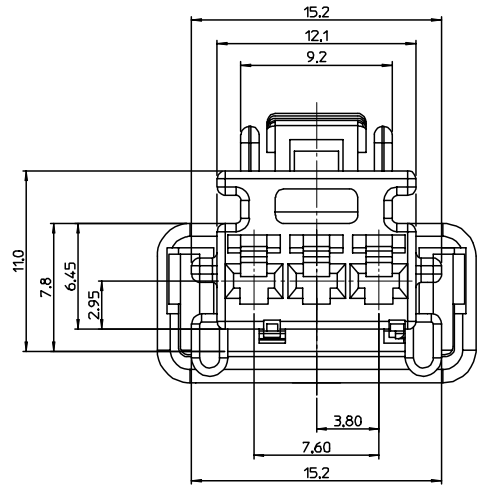
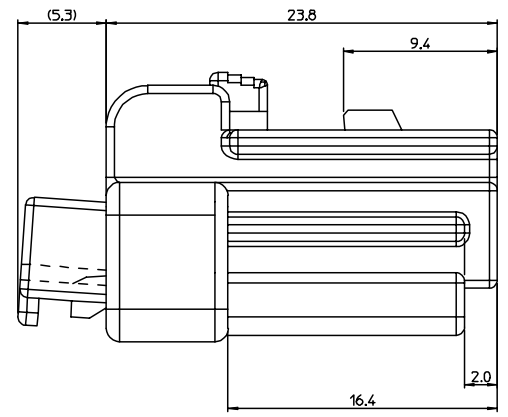
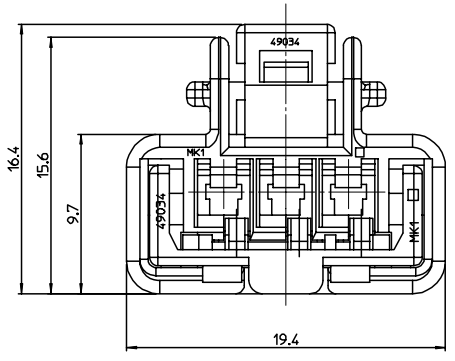
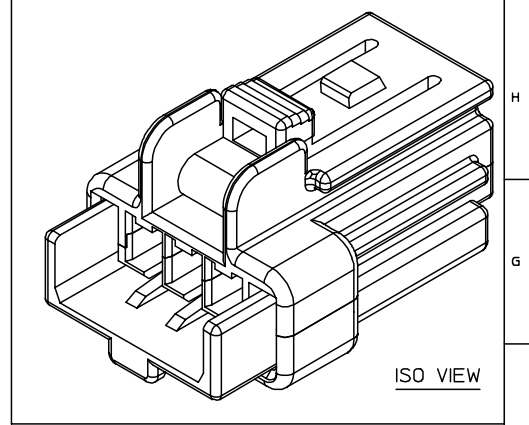
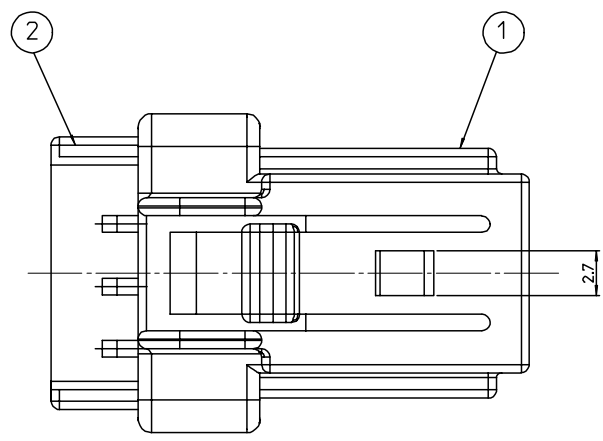


DWG. NO. SD-49034-001
 PROJECT NO.
 SIMILAR ITEM
 DO NOT SCALE DRAWING
 DIMENSION IN METRIC

12 11 10 9 8 7 6 5 4 3 2 1



<NOTE>

1. MATERIAL : SEE TABLE
2. MATING CONNECTOR : 49033-0310
3. APPLICABLE TERMINAL : 35421-6*02

NO.	PART NO.	PART NAME	MATERIAL	COLOR
1	(A) 49034-0390	.090 F/HSG 3P	POLYESTER	NATURAL
	(B) 49034-0395	.090 F/HSG 3P	POLYESTER	GRAY
2	(C) 49034-0381	.090 F/TPA 3P	POLYESTER	BLACK

MATERIAL NO.	ENG. NO.	REMARKS	DIMENSIONS:		SHT	REV.
490340310	49034-0310	(A) + (C)	<input type="checkbox"/> INCH	<input type="checkbox"/> MM		
490340315	49034-0315	(B) + (C)	<input type="checkbox"/> INCH	<input type="checkbox"/> MM		
NEW RELEASED ECN NO. KOR2004-0092 DRAWN:JMKM 04/01/27 CHK:K.C.YOON 04/01/27 APPROVEE	QUALITY SYMBOLS MAJOR CRITICAL	GENERAL TOLERANCES (UNLESS SPECIFIED)	SCALE 5:1	DESIGN UNITS <input checked="" type="checkbox"/> MM <input type="checkbox"/> INCH	THIRD ANGLE PROJECTION	TITLE: .090-II W/W FEMALE HSG ASS'Y 3P
REV	DESCRIPTION	4 PLACES ±0.1 ±	DRAWN BY & DATE SJKM 03/12/10	CHECKED BY & DATE B.C.YOON 03/12/10	APPROVED BY & DATE C.WLEE 03/12/10	CAD FILE NAME SD49034.M
A		3 PLACES ±0.2 ±	MOLEX INCORPORATED			
		2 PLACES ±0.30 ±	MATERIAL NO. SEE TABLE			
		1 PLACE ±0.30 ±	DRAWING NO. SD-49034-001			
		ANGULAR: ± 1 °	SHEET NO. 1 OF 1			
		DRAFT WHERE APPLICABLE MUST REMAIN WITHIN DIMENSIONS	THIS DRAWING CONTAINS INFORMATION THAT IS PROPRIETARY TO MOLEX INCORPORATED AND SHOULD NOT BE USED WITHOUT WRITTEN PERMISSION.			
			KOREA MX-A2			

12 11 10 9 8 7 6 5 4 3 2 1