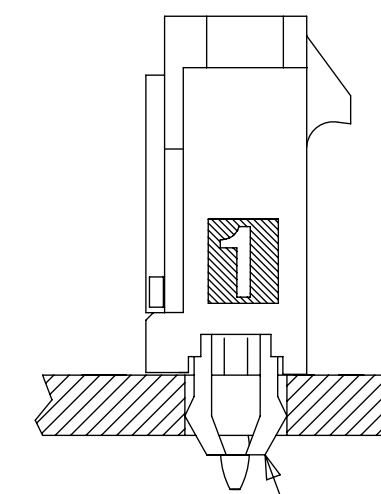
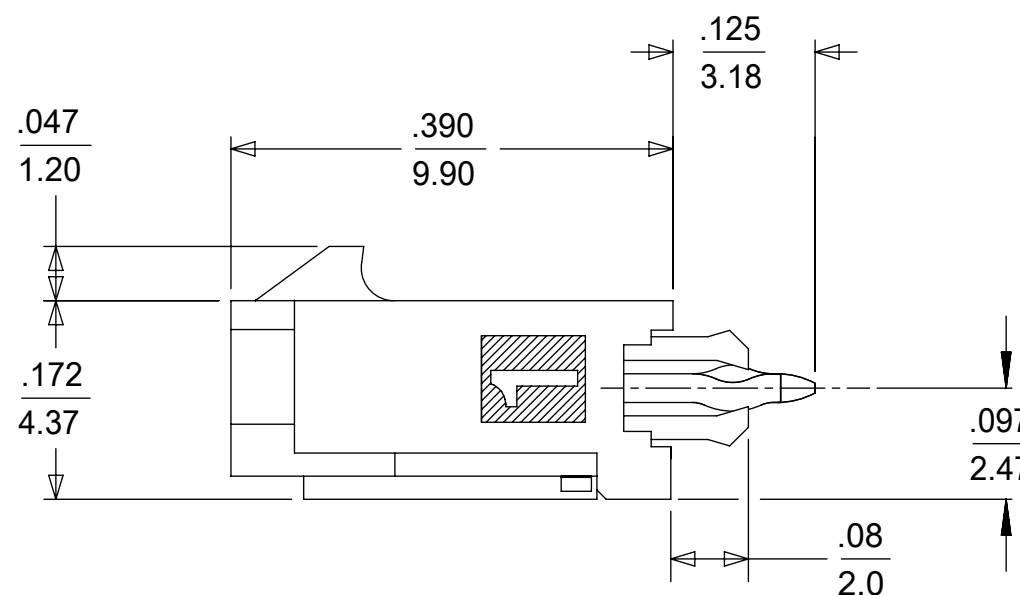
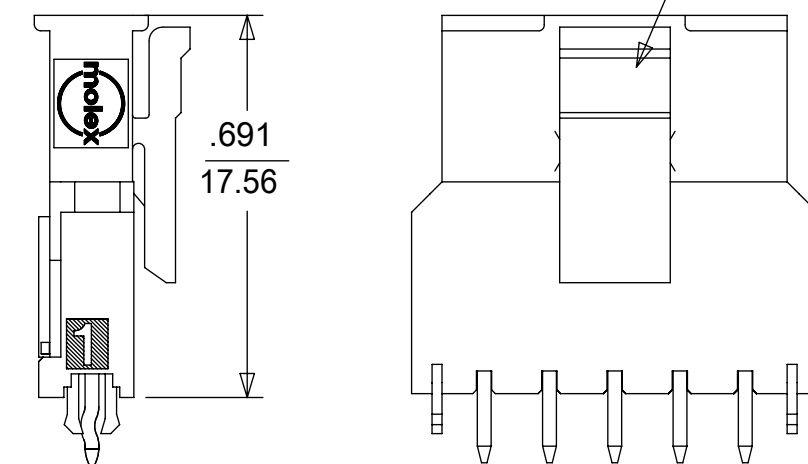


PCB LAYOUT: COMPONENT SIDE  
RECOMMENDED PCB THICKNESS: .062/1.57



PRESS FIT RETENTION CLIP

RECEPTACLE #43645



MATED MICRO FIT CONNECTORS

NOTES:

- HOUSING MATERIAL: LIQUID CRYSTAL POLYMER, GLASS FILLED, UL94V-0, COLOR: BLACK  
TERMINAL MATERIAL: BRASS ALLOY
- FINISH:  
A = .000060/(0.00152) MIN. REFLOWED MATTE TIN OVER  
.000050/(0.00127) MIN. NICKEL PLATE  
(FINISH IS BRIGHT IN APPEARANCE, THICKNESS AS APPLIED PRIOR TO REFLOW)  
B = .000015/(0.00038) MIN. SELECT GOLD IN CONTACT AREA  
.000100/(0.00254) MIN. SELECT MATTE TIN ON SOLDER TAILS BOTH OVER .000050/(0.00127) NICKEL OVERALL  
C = .000030/(0.00076) MIN. SELECT GOLD IN CONTACT AREA  
.000100/(0.00254) MIN. SELECT MATTE TIN ON SOLDER TAILS BOTH OVER .000050/(0.00127) NICKEL OVERALL  
D = .000100/(0.00254) MIN. MATTE TIN OVER  
.000050/(0.00127) MIN. NICKEL OVERALL
- PRODUCT SPECIFICATION: PS-43650
- TRAY PACKAGED : SEE MOLEX DRAWING PK-70873-0811
- MATES WITH MICRO FIT (3.0) RECEPTACLE SERIES 43645
- PARTS CONFORM TO CLASS 'B' REQUIREMENTS OF COSMETIC SPECIFICATION PS-45499-002.
- TEXT ON PART IS FOR REFERENCE ONLY. TEXT AND TEXT LOCATION MAY VARY DEPENDING ON PART NUMBER AND/OR TOOL.

| CKTS | FINISH A     |          | FINISH B     |          | FINISH C     |          | FINISH D     |          |
|------|--------------|----------|--------------|----------|--------------|----------|--------------|----------|
|      | MATERIAL NO: | VOID CKT | MATERIAL NO: | VOID CKT | MATERIAL NO: | VOID CKT | MATERIAL NO: | VOID CKT |
| 02   | 43650-0218   |          | 43650-0219   |          | 43650-0220   |          | 43650-0263   |          |
| 03   | 43650-0318   |          | 43650-0319   |          | 43650-0320   |          | 43650-0363   |          |
| 04   | 43650-0418   |          | 43650-0419   |          | 43650-0420   |          | 43650-0463   |          |
| 05   | 43650-0518   |          | 43650-0519   |          | 43650-0520   |          | 43650-0563   |          |
| 06   | 43650-0618   |          | 43650-0619   |          | 43650-0620   |          | 43650-0663   |          |
| 07   | 43650-0718   |          | 43650-0719   |          | 43650-0720   |          | 43650-0763   |          |
| 08   | 43650-0818   |          | 43650-0819   |          | 43650-0820   |          | 43650-0863   |          |
| 09   | 43650-0918   |          | 43650-0919   |          | 43650-0920   |          | 43650-0963   |          |
| 10   | 43650-1018   |          | 43650-1019   |          | 43650-1020   |          | 43650-1063   |          |
| 11   | 43650-1118   |          | 43650-1119   |          | 43650-1120   |          | 43650-1163   |          |
| 12   | 43650-1218   |          | 43650-1219   |          | 43650-1220   |          | 43650-1263   |          |
| 03   | 43650-0331   | 02       | 43650-0332   | 02       |              |          |              |          |
| 04   | 43650-1431   | 2,3      | 43650-0436   | 2,3      |              |          |              |          |
| 04   | 43650-2431   | 4        |              |          |              |          |              |          |
| 05   | 43650-1531   | 2,3,4    |              |          |              |          |              |          |
| 06   | 43650-0631   | 6        | 43650-0636   | 2,3,4,5  |              |          |              |          |

|  |   |                        |                                  |          |
|--|---|------------------------|----------------------------------|----------|
| FUNCTIONAL SYMBOLS                                   | THIS DRAWING CONTAINS INFORMATION THAT IS PROPRIETARY TO MOLEX ELECTRONIC TECHNOLOGIES, LLC AND SHOULD NOT BE USED WITHOUT WRITTEN PERMISSION |                        | CURRENT REV DESC: ADD 43650-0332 |          |
|  | DIMENSION UNITS   | SCALE                  |                                  |          |
| $F_A = 0$  | INCH/MM   | NTS                    |                                  |          |
| $F_C = 0$  | GENERAL TOLERANCES (UNLESS SPECIFIED)   |                        |                                  |          |
| $F_P = 0$  |   | MM                     | INCH                             |          |
| DIVISIONAL SYMBOLS                                   | 4 PLACES  | ±                      | ±                                |          |
|  | 3 PLACES  | ±                      | ± 0.01                           |          |
|  | 2 PLACES  | ± 0.25                 | ± 0.014                          |          |
|  | 1 PLACE   | ± 0.36                 | ±                                |          |
|  | 0 PLACES  | ±                      | ±                                |          |
|  | ANGULAR TOL   | ± 0.5 °                |                                  |          |
| DRAFT WHERE APPLICABLE MUST REMAIN WITHIN DIMENSIONS |   | THIRD ANGLE PROJECTION | DRAWING                          | SERIES   |
|  |   |                        | C-SIZE                           | 43650    |
|  |   | EC NO: 677247          | 2021/09/10                       |          |
|  |   | DRWN: MKIPPER          | 2021/09/10                       |          |
|  |   | CHK'D: HENRYA1         | 2021/09/27                       |          |
|  |   | APPR: FSMITH           | 2021/09/27                       |          |
|  |   | INITIAL REVISION:      |                                  |          |
|  |   | DRWN: SAMIEC           | 2000/07/07                       |          |
|  |   | APPR: FSMITH           | 2016/08/23                       |          |
| DOCUMENT NUMBER                                      |   | DOC TYPE               | DOC PART                         | REVISION |
| SD-43650-007   |   | PSD                    | 001                              | F5       |
| MATERIAL NUMBER                                      |   | CUSTOMER               | SHEET NUMBER                     |          |
| SEE TABLE  |   | GENERAL MARKET         | 1 OF 1                           |          |

**molex**

MICRO-FIT (3.0) VERTICAL THRUHOLE, CLIPS  
SINGLE ROW HEADER, TRAY

PRODUCT CUSTOMER DRAWING