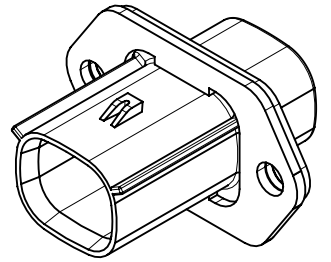
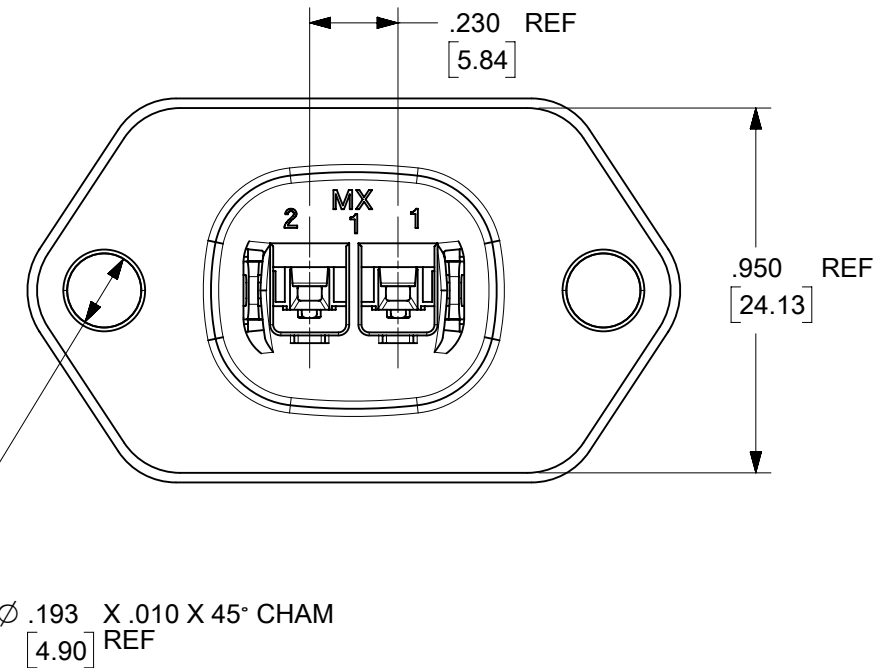
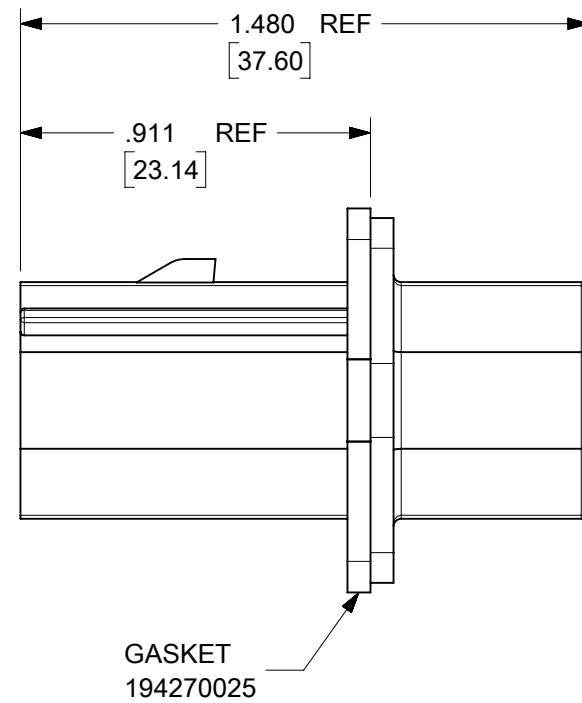
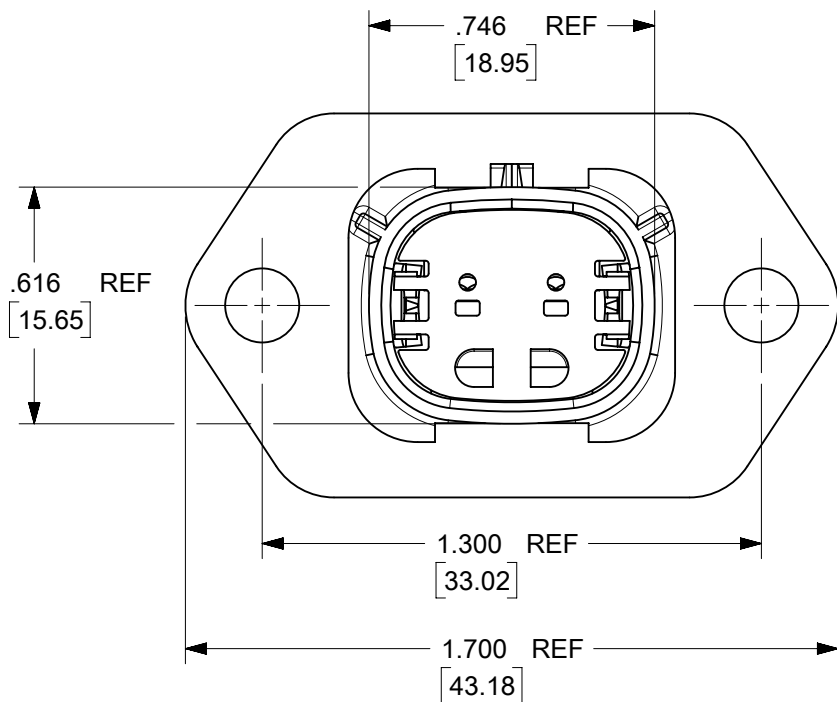


RECOMMENDED PANEL MOUNT OPENING  
MAX PANEL THK .080/2.03



ASSEMBLED VIEW  
SCALE 1:1



194290041	YES
194290026	NO
MATERIAL NUMBER	GASKET

- NOTES:
- MATERIALS: HOUSING: SYNDIOTACTIC POLYSTYRENE (SPS), GLASS FILLED, UL94 V-0,COLOR: BLACK  
GASKET: EPDM RUBBER
  - PRODUCT SPECIFICATION: PS-19417-001.
  - PACKAGING SPECIFICATION: PK-19429-001.  
GASKETS, IF REQUIRED FOR THE ASSEMBLIES,ARE BULK PACKAGED IN A SEPARATE BAG.
  - MATES WITH: 19418 SERIES RECEPTACLE ASSEMBLIES.
  - USE CONNECTOR WITH MALE CRIMP TERMINAL: SERIES 19417.
  - RECOMMENDED MOUNTING HARDWARE: (2)#10 X .62/15.8 LONG PLASTIC THREAD CUTTING SCREWS. RECOMMENDED TORQUE 15-17 IN-LBS.  
SUGGESTED SOURCE: ITW SHAKEPROOF INDUSTRIAL BOSSCREW OR EQUIVALENT.
  - ASSEMBLY IS ROHS COMPLIANT.

THIS DRAWING CONTAINS INFORMATION THAT IS PROPRIETARY TO MOLEX ELECTRONIC TECHNOLOGIES, LLC AND SHOULD NOT BE USED WITHOUT WRITTEN PERMISSION													
FUNCTIONAL SYMBOLS	FA = 0	in/[mm]	SCALE	2:1	CURRENT REV DESC: REDRAWN IN NX & HSG MATERIAL UPDATED								
	FE = 0	GENERAL TOLERANCES (UNLESS SPECIFIED)			EC NO: 690910								
DIVISIONAL SYMBOLS	EF = 0		MM	INCH	DRWN: RMV02 2021/12/21								
		4 PLACES	±	±	CHK'D: DMYRICK 2022/01/05								
		3 PLACES	±	± 0.015	APPR: JMACNEIL 2022/01/06								
		2 PLACES	± 0.38	±	INITIAL REVISION:								
	1 PLACE	±	±	DRWN: DMYRICK 2004/07/15									
	0 PLACES	±	±	APPR: RDEROSS 2004/07/15									
	ANGULAR TOL	± 1.0°	THIRD ANGLE PROJECTION										
DRAFT WHERE APPLICABLE MUST REMAIN WITHIN DIMENSIONS			DRAWING		B-SIZE	SERIES	19429	MATERIAL NUMBER	SEE CHART	CUSTOMER	GENERAL MARKET	SHEET NUMBER	1 OF 1

<b>molex</b>			
2-WAY PLUG PANEL MOUNT ASSEMBLY W/O BOSS 22-14 AWG			
PRODUCT CUSTOMER DRAWING			
DOCUMENT NUMBER	DOC TYPE	DOC PART	REVISION
SD-19429-009	PSD	001	C