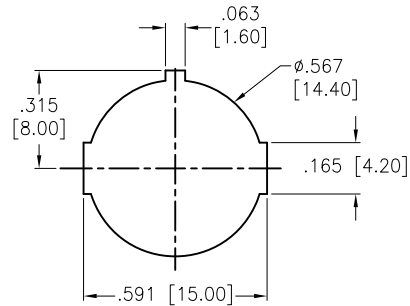
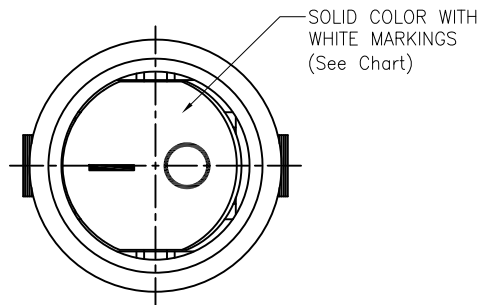
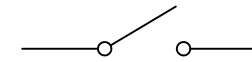


APPROVED: \_\_\_\_\_  
 DATE: \_\_\_\_\_ TITLE: \_\_\_\_\_

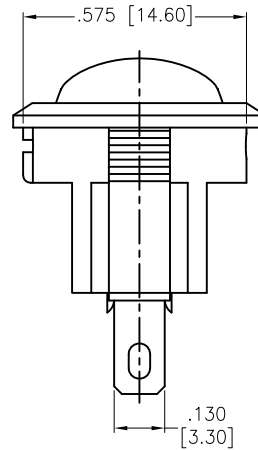
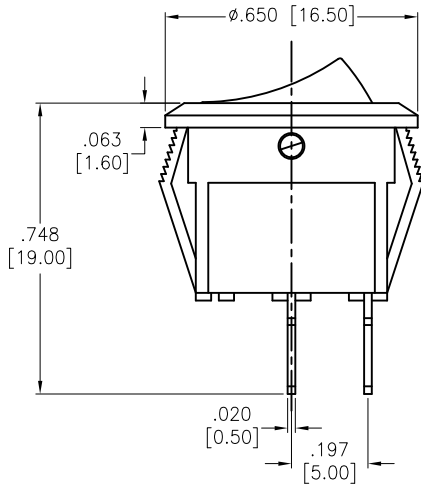
Rev	AWO #	Description	Date	Appr
-		RELEASED	11/3/20	
A		UPDATE SPEC.	8/31/21	JJ/RC



RECOMMENDED  
 PANEL CUT-OUT



CIRCUIT DIAGRAM  
 (SPST) ON-OFF



SW-R3-1A-A-XX-2

	Actuator Color
BLANK	Standard Black
W	White
R	Red
G	Green
Y	Yellow (Amber)
B	Blue
O	Orange

	Actuator Markings
1	
2	
3	
4	
5	
6	

Replace "x" in P/N with the corresponding switch color and marking

**SPECIFICATIONS:**

Body: Nylon 66, Color Black, Rated UL 94V-0

Terminal: Brass, Silver plated

Button: Nylon 66, Solid color, White color markings. (See Chart)

**Electrical:**

The rated load: 250V AC, 3A

125V AC, 6A

Contact resistance: 50 mohms max

Insulation resistance: 100 Mohms min

Dielectric withstanding voltage: 1500 VAC/5S min

**Mechanical:**

Electrical life: 10000 Cycles min

Temperature Rating:

Operating temperature: -25°C to +85°C

**Environmental:**

Lead free, RoHS compliant



UNLESS OTHERWISE SPECIFIED ALL DIMENSIONS ARE INCHES [MM] TOLERANCES: EXCEPT AS NOTED			
INCHES		HOLES	
.X	± .10	Ø.X	± .10
.XX	± .020	Ø.XX	± .015
.XXX	± .015	Ø.XXX	± .010



909 Rahway Avenue,  
 Union, NJ 07083  
 Phone: 908-687-5000  
 Fax: 908-687-5710

APPROVALS		DATE
DRAWN	OW	11/3/20
CHECKED	AC	11/3/20
APPROVED		

TITLE <b>SWITCH, SUB MINIATURE ROCKER, SPST,        ON-OFF, SOLDER TYPE</b>		
SIZE <b>X</b>	PART NO. <b>SW-R3-1A-A-XX-2</b>	REV. <b>A</b>
REF: -	SCALE: NTS	SHEET 1 OF 1