

PCB Plug-In Connectors

5.08 mm Pin Spacing

- Plug Vertical
- 12A Current Rating
- Wire Entry on Coding Side

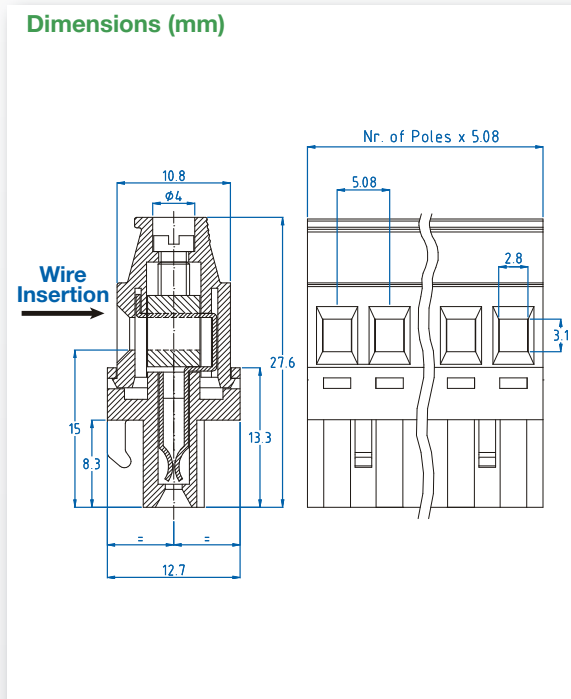


SVFxx-5,08

Electrical Ratings		UL E178356		IEC	VDE
Usergroup	B	C	D	-	
Rated Voltage	300V	-	300V	250V	
Rated Current	12A	-	12A	12A	
Wire Size	<i>solid</i>	30-14AWG	-	0.25mm ² -2.5mm ²	
	<i>stranded</i>	30-14AWG	-	0.25mm ² -2.5mm ²	

Ordering Information (5.08 mm Spacing)

No. Poles	Order #	Length (mm)	Std. Pack
2	SVF02-5,08	10.16	100
3	SVF03-5,08	15.24	100
4	SVF04-5,08	20.32	50
5	SVF05-5,08	25.40	50
6	SVF06-5,08	30.48	50
7	SVF07-5,08	35.56	50
8	SVF08-5,08	40.64	50
9	SVF09-5,08	45.72	50
10	SVF10-5,08	50.80	50
11	SVF11-5,08	55.88	50
12	SVF12-5,08	60.96	50
13	SVF13-5,08	66.04	20
14	SVF14-5,08	71.12	20
15	SVF15-5,08	76.20	20
16	SVF16-5,08	81.28	20
17	SVF17-5,08	86.36	20
18	SVF18-5,08	91.44	20
19	SVF19-5,08	96.52	20
20	SVF20-5,08	101.60	20
21	SVF21-5,08	106.68	20
22	SVF22-5,08	111.76	20
23	SVF23-5,08	116.84	20
24	SVF24-5,08	121.92	20



Material Specifications

Screws	Galvanized Steel
Clamp	Nickel Copper Alloy
Contact Spring	Nickel Copper Alloy
Insulating Material	Polyamide
Flammability Class	V0 UL94
Operating Temperature	-30°C - +105°C

Installation Data

Screw Size	M3
Torque	0.5Nm (4.5 lb.in.)
Stripping Length	max. 9mm
Clamp Opening	2.8 x 3.1 mm

Mating Headers

PVPxx-5,08	PHPxx-5,08	PVxx-5,08	PHxx-5,08
------------	------------	-----------	-----------