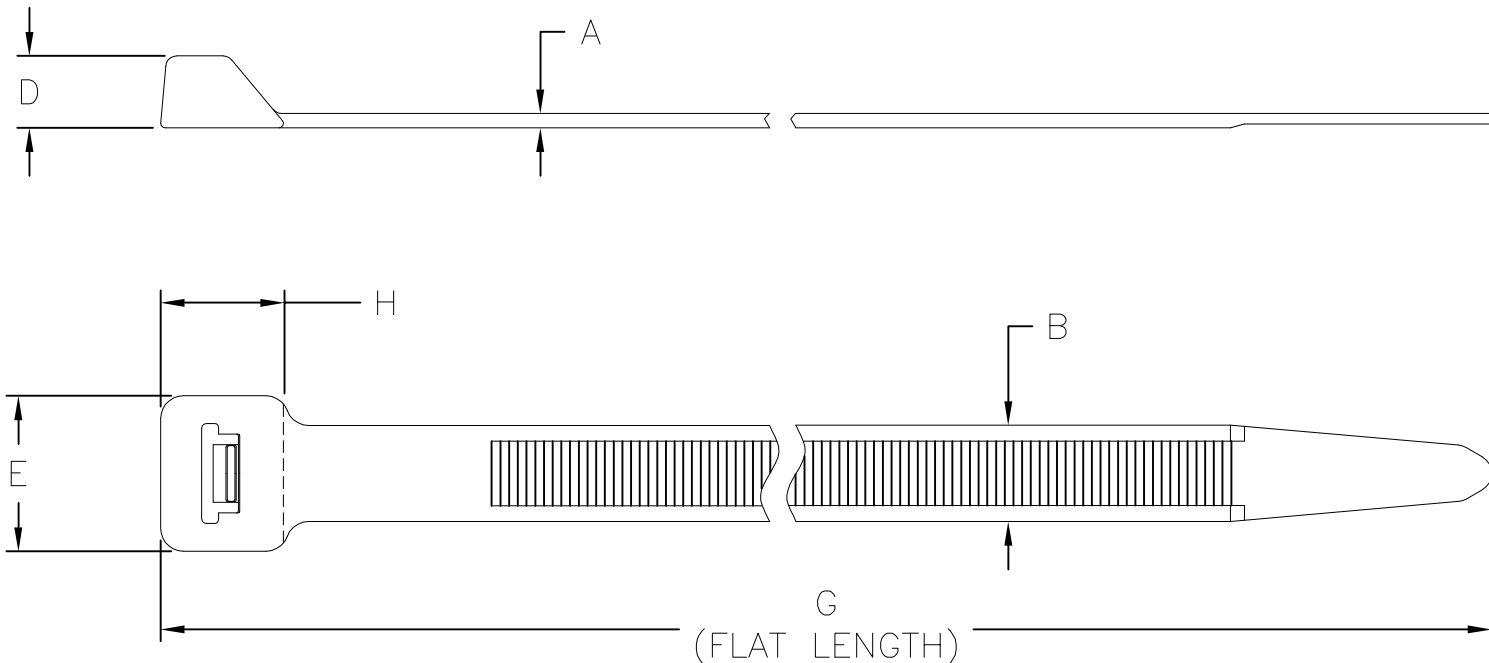


Revision level		Revision Record	Changed	Date	Approved	Date
part	drawing					
-	03	See ECN 011032	AAC	05/12/08	K.A.C.	05/12/08



PRODUCT CODE DESCRIPTION

SR255S_HIHSUV

COLOR

(CONSULT FACTORY FOR AVAILABLE COLORS)

G (FLAT LENGTH)

03

03

Product Code	Cable Range (mm)	Material	A	B	D	E	G	H	Min Loop Tensile Strength (newtons)
SR255S_HIHSUV	13 to 50	PA66HIHSUV	1.8±0.2	12.6±0.3	9.3 ±0.3	20.0 ±0.5	225.0 ±5.0	15.5 ±1.2	1115

SEE CHART

Material

Dimension tolerances unless otherwise specified

.XXXX = ± .0130

.XXX = ± .130

.XX = ± .30

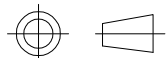
.X = ± .8

∠ = ± 0.5 °

Dimension Units mm

PERFORMANCE SPECIFICATION

ACAD MECH
2008



Drawn

KDP

02/14/01

Scale

1:1

Computer File Number

CT\CST\2252007_03

Approved

K.A.C.

05/12/08

Title

Phase: Production

ALL PROPRIETARY RIGHTS IN THE SUBJECT MATTER SHOWN ON THIS DRAWING ARE EXCLUSIVE PROPERTY OF HELLERMANNNTYTON

HellermannTyton

7930 N. Faulkner Rd.
Milwaukee, WI 53224
Ph: (414) 355-1130
Fx: (414) 362-8338

SR255S
250 LB CABLE TIE W/SUB-RELEASE
WITHOUT BUCKLE MOUNT

Drawing-No

CT2252007CST

Format

AH

Sheet 1 of 1