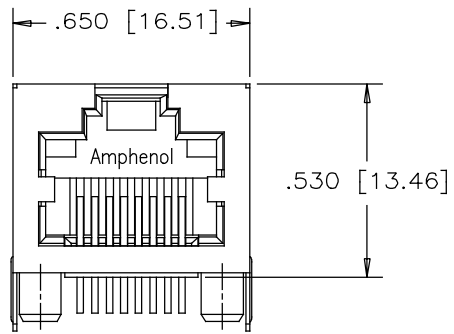
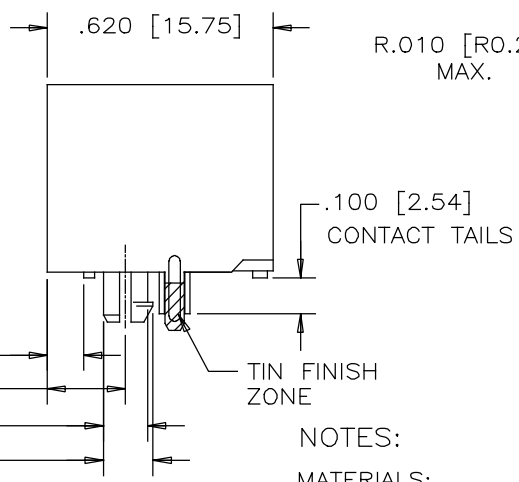


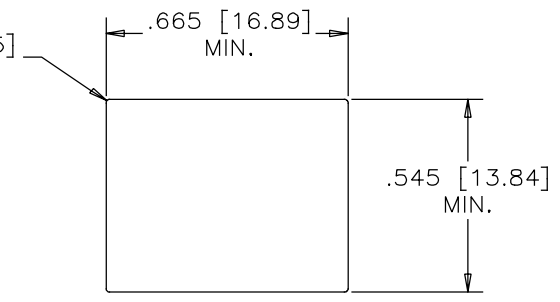
REVISIONS			
REV	DESCRIPTION, ECN, EAR NO.	DATE	APP'D
A	PROPOSAL DRAWING	JUN08/18	L.CHAN



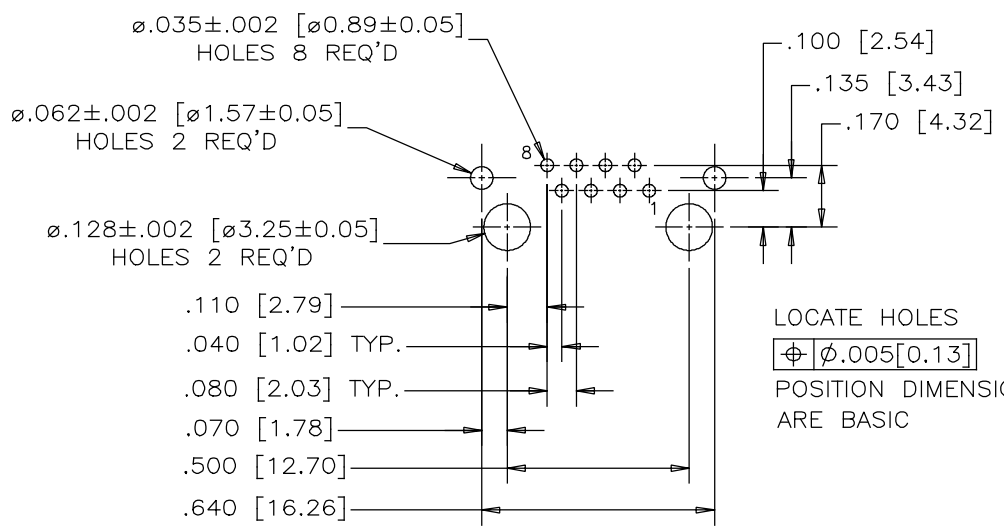
FRONT VIEW



SIDE VIEW



RECOMMENDED PANEL CUTOUT



RECOMMENDED P.C.B. LAYOUT  
(COMPONENT SIDE OF BOARD)

NOTES:

MATERIALS:

PLASTIC HOUSING: HIGH TEMPERATURE THERMOPLASTIC  
FLAMMABILITY RATING UL 94V-0,  
COLOR BLACK

CONTACTS:

PHOSPHOR BRONZE  
PLATING: GOLD PLATING ON MATING SURFACE.  
[SEE PART NUMBER FOR THICKNESS]  
50 μ" [1.27 MICRONS]  
MIN. NICKEL UNDERPLATE  
100 μ" [2.54 MICRONS]  
MIN. MATTE TIN ON CONTACT TAILS.

RECOMMENDED SOLDERING TEMPERATURE:

WAVE SOLDERING AT 260°C MAXIMUM FOR  
5 SEC MAXIMUM.

SHIELD:

STAINLESS STEEL WITH TIN FINISH ON SOLDER TAIL

PART NUMBER: RJHSE-XM80

GOLD PLATING

- E=RJ45 FLAT CONTACT 6u"
- G=RJ45 FLAT CONTACT 15u"
- J=RJ45 FLAT CONTACT 30u"
- 5=RJ45 FLAT CONTACT 50u"



UNLESS SPECIFIED OTHERWISE	DRAWN W.QIU	DATE JUN08/18	Amphenol Canada Corp. www.amphenolcanada.com
PRIMARY UNITS INCH	CHECKED L.CHAN	JUN08/18	
SECONDARY MILLIMETER	M.E. APP'D		TITLE
REFERENCE IN PARENTHESES	Q.A. APP'D		HIGH SPEED RJ45 SINGLE-PORT WITH SHIELD WITHOUT TABS AND SHIELD COVER THE LED AREA, WITHOUT LED'S - RoHS COMPLIANT
GENERAL TOLERANCES	DWG APPR.		DWG. NO.
1 DECIMAL PLACE ±0.025	ENG. REL. NO.		P-RJHSE-XM80
2 DECIMAL PLACES ±0.020	REF.		REV
3 DECIMAL PLACES ±0.015	THIRD ANGLE PROJECTION	DO NOT SCALE DRAWING	A
ANGULAR DEGREES ±1.0°			CODE ID NO. 03554   DWG SIZE: C   SCALE: N/A   SHEET 1 OF 1