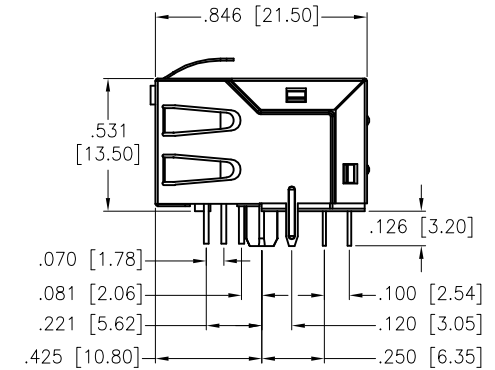
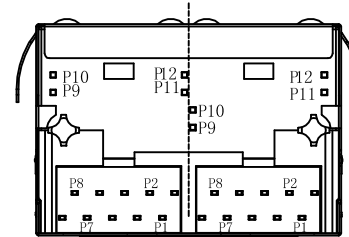
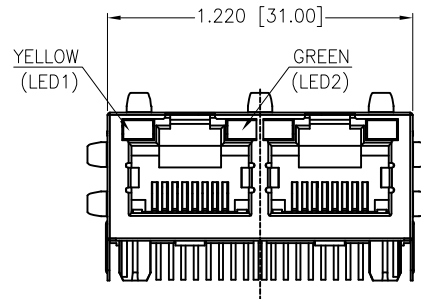
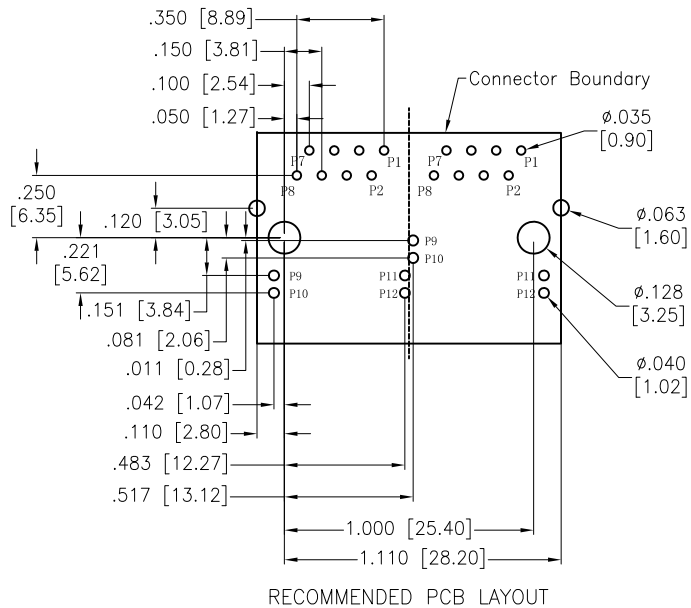


APPROVED: _____
 DATE: _____ TITLE: _____

Rev	AWO #	Description	Date	Appr
-		RELEASED	11/6/17	
A		UPDATED DIP DIM.	11/20/17	HR/IC



SPECIFICATIONS:
 Material:
 Insulator: Thermoplastic, rated UL 94V-0
 Insulator color: Black
 Contacts: Copper Alloy
 Shield: Brass, Nickel plated
 Plating:
 Round contact
 Gold over Nickel underplate overall
 Flat contact
 Gold over Nickel underplate on contact area,
 Tin over Nickel underplate on solder tails
 Electrical:
 Voltage rating: 150 VAC
 Contact Resistance: 20 mohms max
 Insulation resistance: 500 Mohms min
 Dielectric withstanding voltage: 1,500VAC or 2,250VDC
 Temperature Rating:
 Operating temperature: -40°C to +85°C
 Environmental:
 Lead free, RoHS compliant.



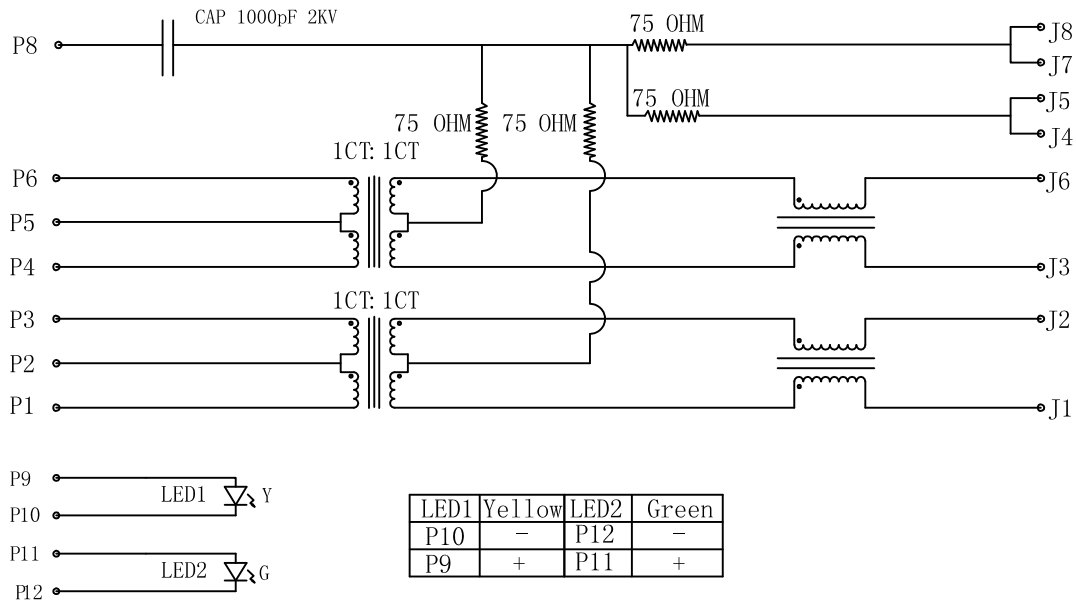
UNLESS OTHERWISE SPECIFIED ALL DIMENSIONS ARE INCHES [MM] TOLERANCES: EXCEPT AS NOTED			
INCHES		HOLES	
.X	± .10	∅X	± .10
.XX	± .020	∅XX	± .015
.XXX	± .015	∅XXX	± .010

APPROVALS		DATE
DRAWN	HR	11/6/17
CHECKED	IC	11/6/17
APPROVED		

ADAM TECH		
909 Rahway Avenue, Union, NJ 07083 Phone: 908-687-5000 Fax: 908-687-5710		
TITLE MODULAR JACK GANGED, 2 PORT, 8P8C, W/ LED1 YELLOW, LED2 GREEN		
SIZE X	PART NO. MTJG-2-88TUX1-FSD-PG-VLG-M5C	REV. A
REF: S00005C	SCALE: NTS	SHEET 1 OF 2

APPROVED: _____
 DATE: _____ TITLE: _____

Rev	AWO #	Description	Date	Appr
SEE SHT 1 OF 2 FOR REVISION				



Electrical Specifications:

- Turn Ratio @100KHz: (P1~P3):(J1~J2) = 1:1±5%
(P4~P6):(J3~J6) = 1:1±5%
- Primary Inductance: 350uH MIN @100KHZ,0.1V 8mA DC BIAS
- DC Resistance:(J1~J2):(J3~J6) 1.2 OHMS MAX
- Insertion Loss: 1-100MHz -1.2dB MAX
- Return Loss: 1-30MHz -16dB MIN
30-60MHz -12dB MIN
60-80MHz -10dB MIN
- CROSS TALK: 1-100MHz -30dB MIN
- COMMON TO COMMON MODE ATTENUATION: 1-100MHz -30dB MIN
- Isolation: PHY Side to Line Side: 1500VAC or 2250VDC

UNLESS OTHERWISE SPECIFIED ALL DIMENSIONS ARE INCHES [MM] TOLERANCES: EXCEPT AS NOTED INCHES HOLES .X ± .10 Ø.X ± .10 .XX ± .020 Ø.XX ± .015 .XXX ± .015 Ø.XXX ± .010		ADAM TECH 909 Rahway Avenue, Union, NJ 07083 Phone: 908-687-5000 Fax: 908-687-5710		
		TITLE MODULAR JACK GANGED, 2 PORT, 8P8C, W/ LED1 YELLOW, LED2 GREEN		
APPROVALS	DATE	SIZE	PART NO.	REV.
DRAWN	HR	X	MTJG-2-88TUX1-FSD-PG-VLG-M5C	A
CHECKED	IC			
APPROVED		REF: S00005C	SCALE: NTS	SHEET 2 OF 2